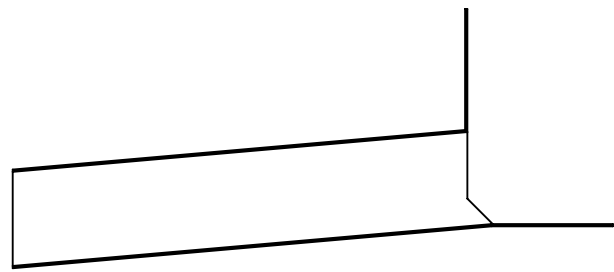
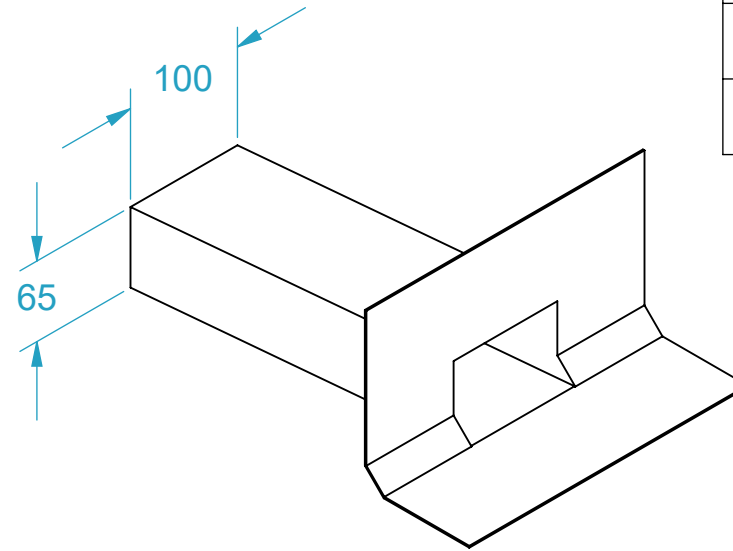
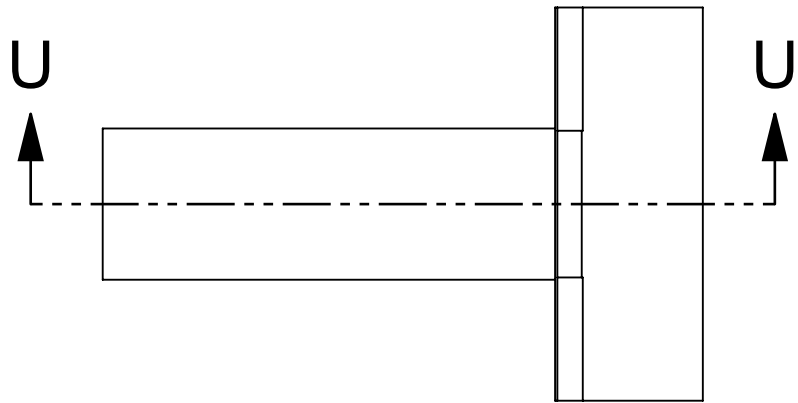


CODE	NAME	DN
2300.112	Scupper chamfer 100x65x300@5 5052 Alluminium	80
2300.113	Scupper chamfer 100x65x300@5 SS316	80



SECTION U-U

