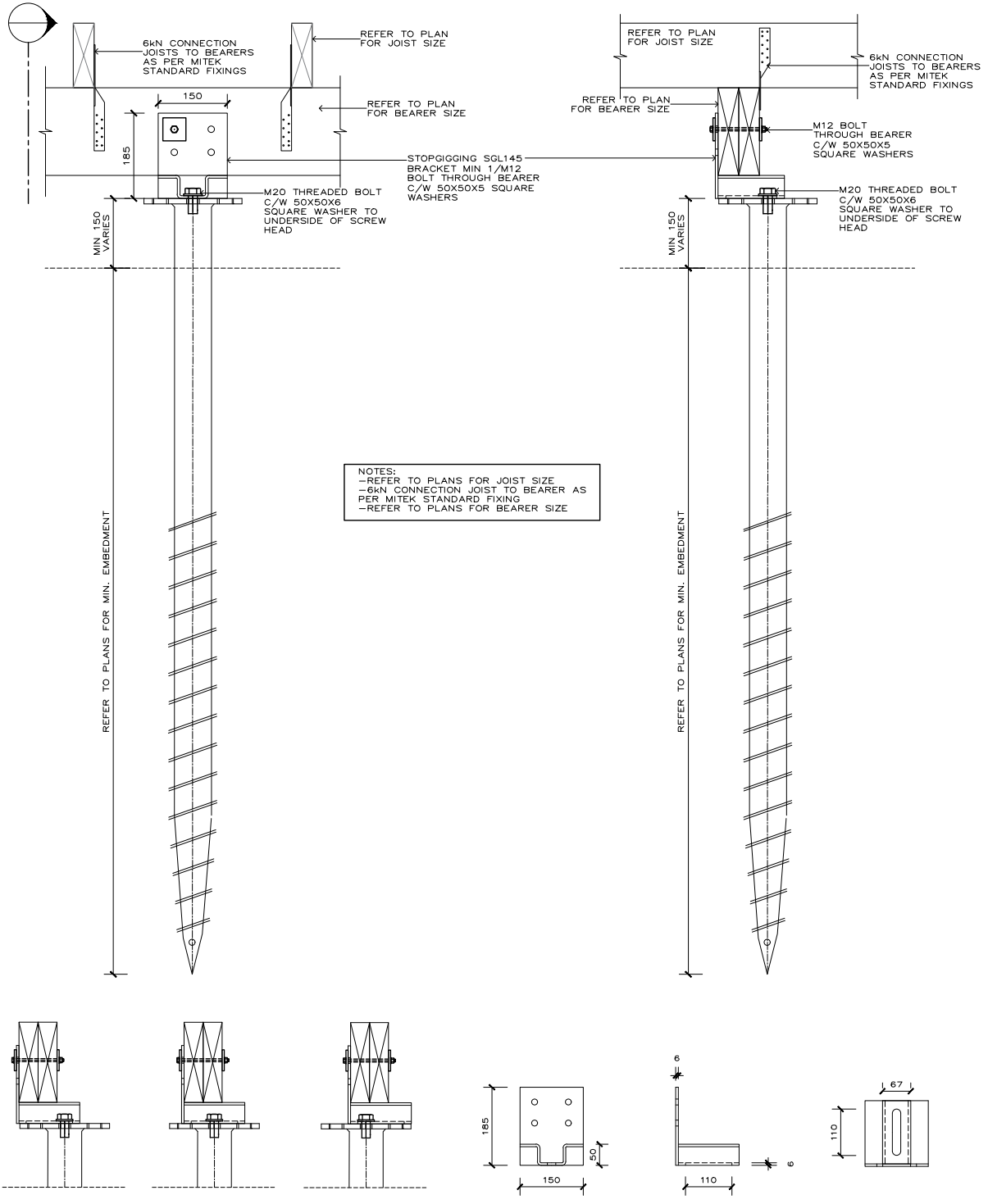


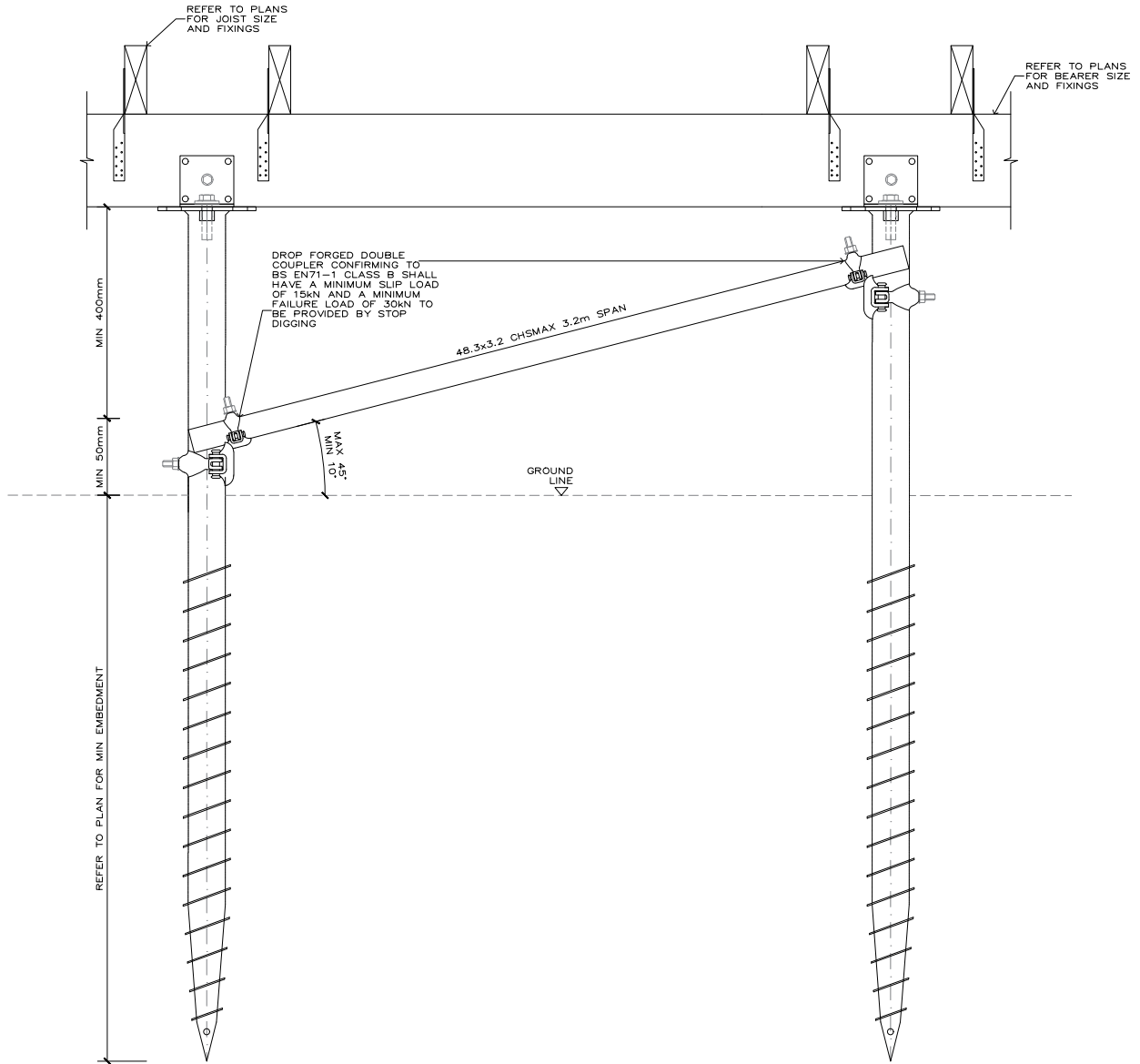
**BEARER CONNECTION DETAIL**



Using our SGL145 bracket, StopDigging Groundscrews are used as a cantilever pile for house and deck foundations. The SGL145 provides both a 6kN or 12kN connection, and allows for up to 100mm of lateral tolerance for easy site alignment.



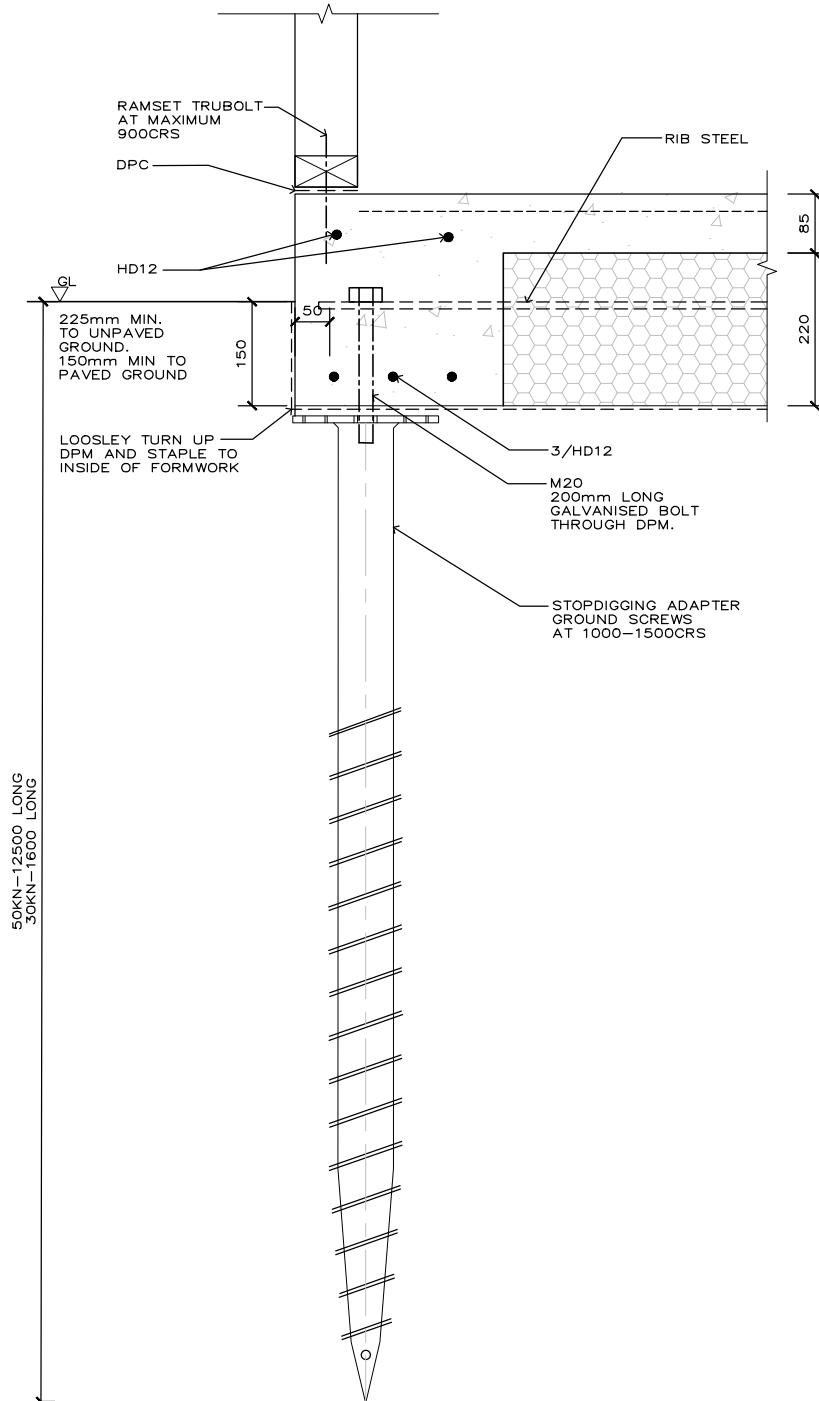
**BRACED GROUND SCREW DETAIL**



The StopDigging steel bracing system provides higher lateral support to piles to allow for high subfloor levels above ground, and design solutions for sloping sites.



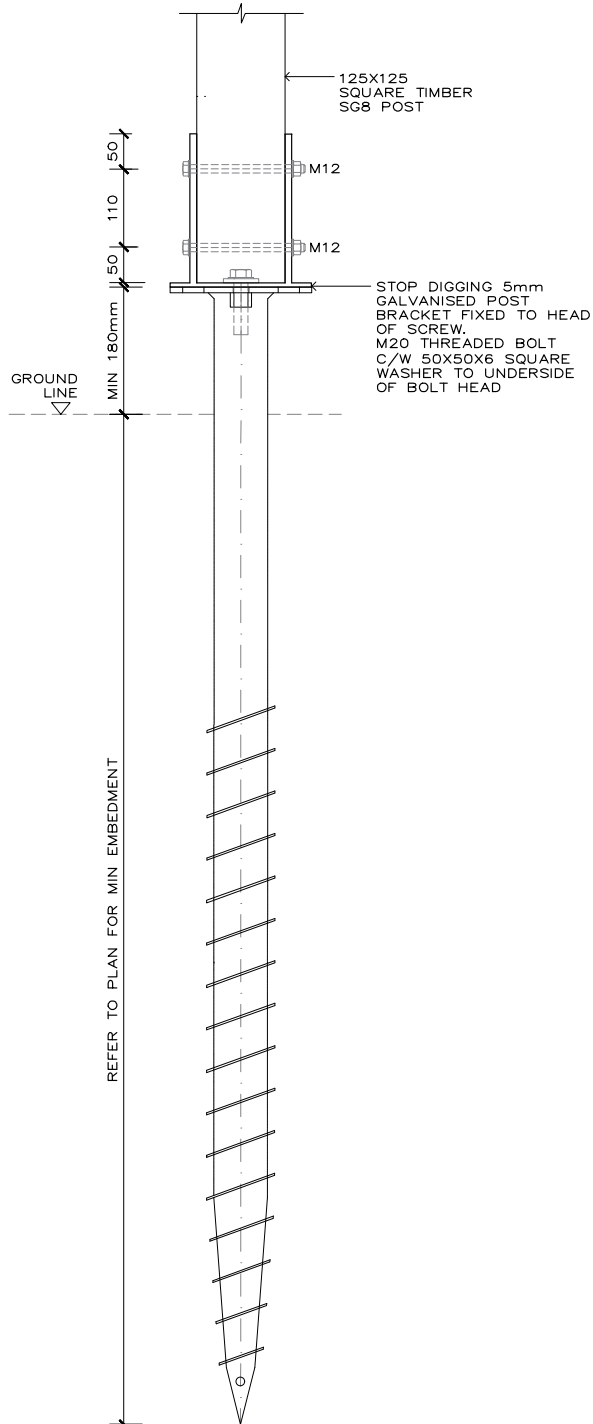
**STANDARD POD-RAFT SYSTEM DETAIL**



Stopdigging Groundscrews are used as an alternative to a deepened perimeter footing or cantilevered slab design in either expansive ground or ground with low bearing capacity. The ground screws extend beyond the influence of the shrink-swell zone, or low bearing capacity and support the slab edge and any point loads.



**TIMBER POST FOOTING DETAIL**



Using our SGE125 bracket, StopDigging Groundscrews are used as a spot footing for connection to a standard timber senton house pile (125x125). Posts are braced as normal to standard NZ3604.



**TIMBER DIAGONAL BRACE DETAIL**

