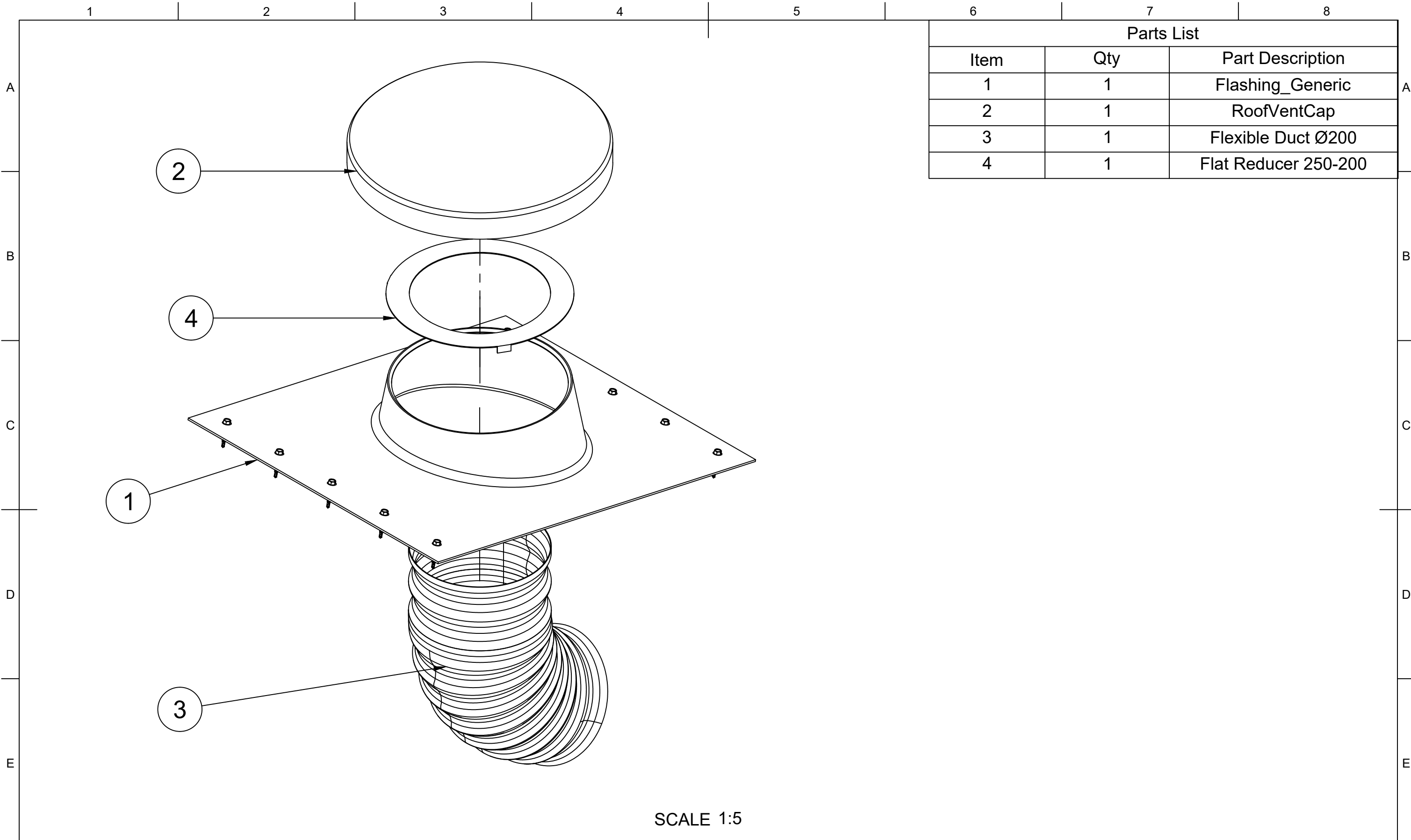


SCALE 1:5



RoofVent_250_200

Drawn By		Date	
Approval		Date	
DWG No.		REV.	
		Sheet	1/2



Parts List		
Item	Qty	Part Description
1	1	Flashing_Generic
2	1	RoofVentCap
3	1	Flexible Duct Ø200
4	1	Flat Reducer 250-200

SCALE 1:5



Assembly_RoofVent_200		Drawn By		Date	
Drawing description		Approval		Date	
DWG No.		REV.		Sheet	2/2