



MASONS
Designed Smart, Built Tough

Masons Enviro AAC 50mm Inter Tenancy Wall System

Typical Panel Layout & Masons Bracket Placement - FRR -/120/120

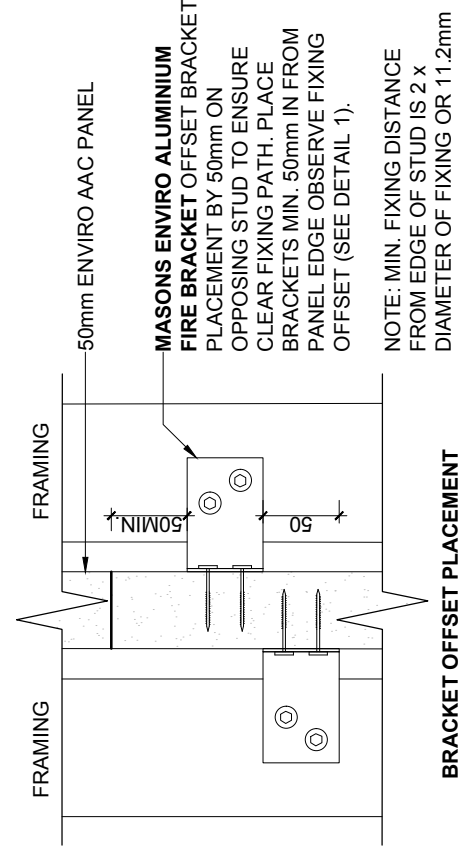
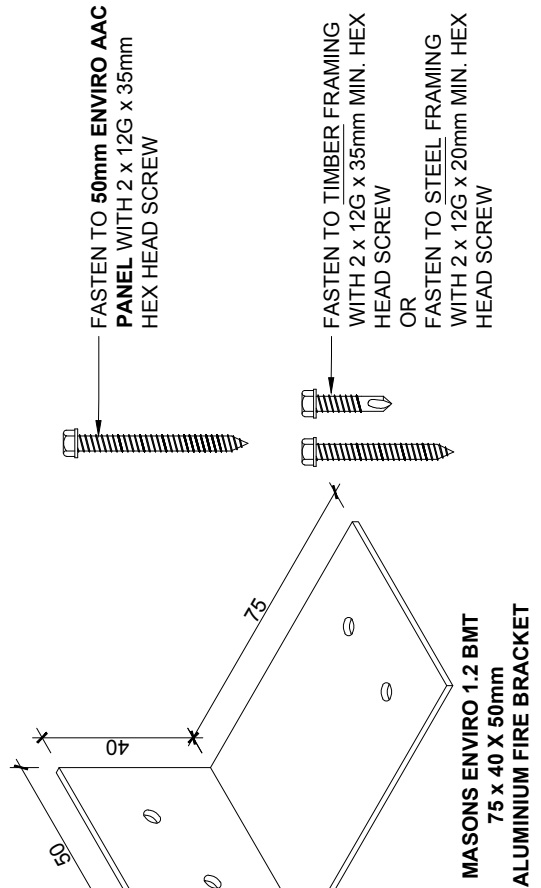
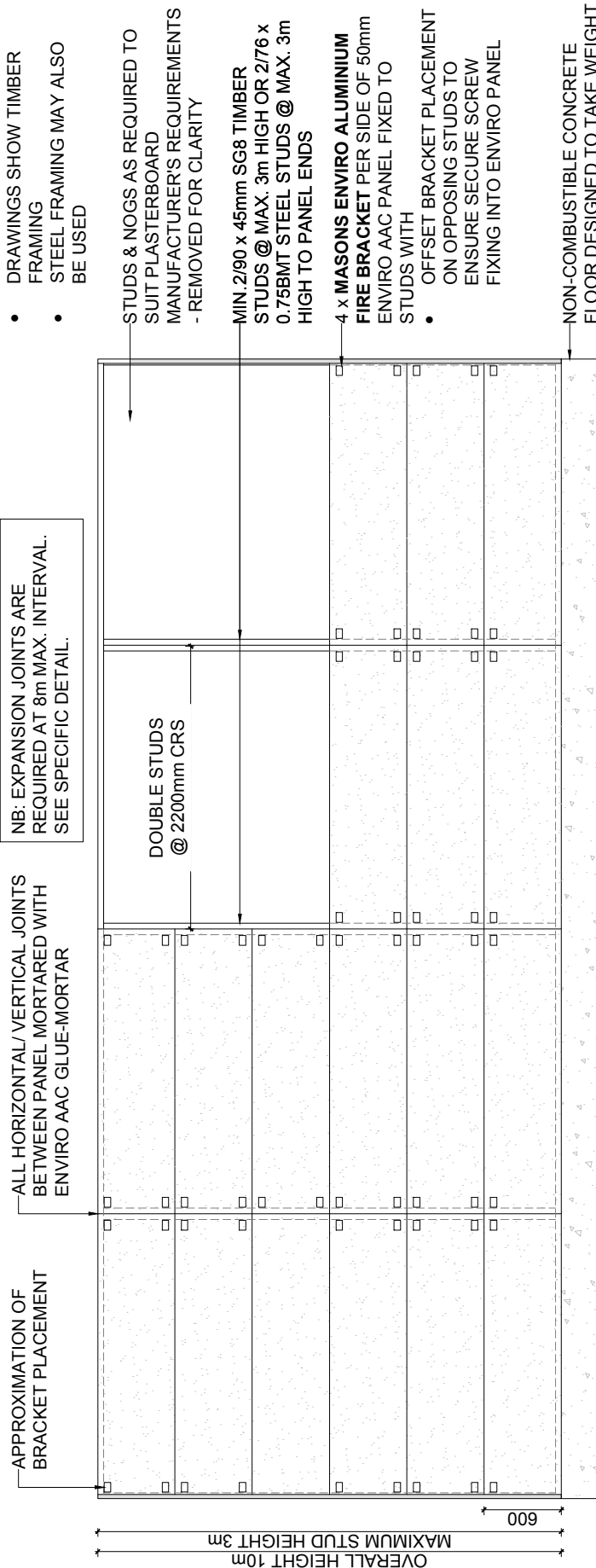
Scale

N.T.S

Date

Drawing No.

ITW.01



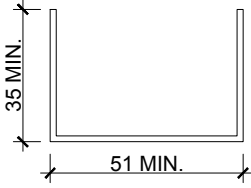
NOTE: MIN. FIXING DISTANCE FROM EDGE OF STUD IS 2 x DIAMETER OF FIXING OR 11.2mm



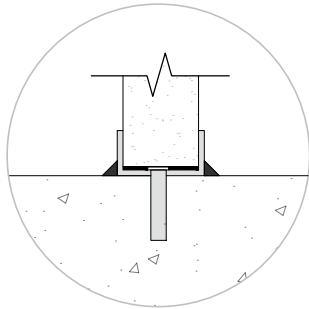
Masons Enviro AAC 50mm Inter Tenancy Wall System
 Typical Wall Base to Concrete Floor
 Wall Base to Concrete Floor - FRR -/120/120

Scale 1:10 Date

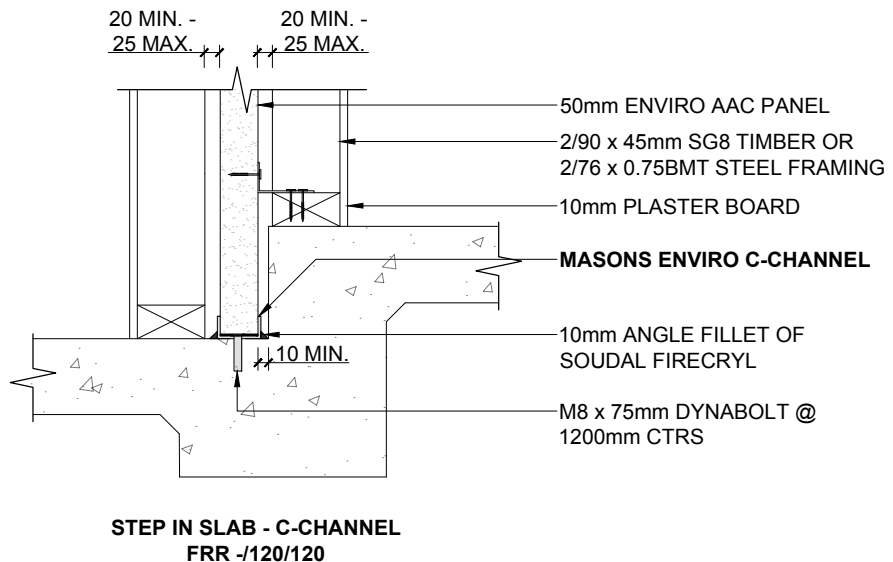
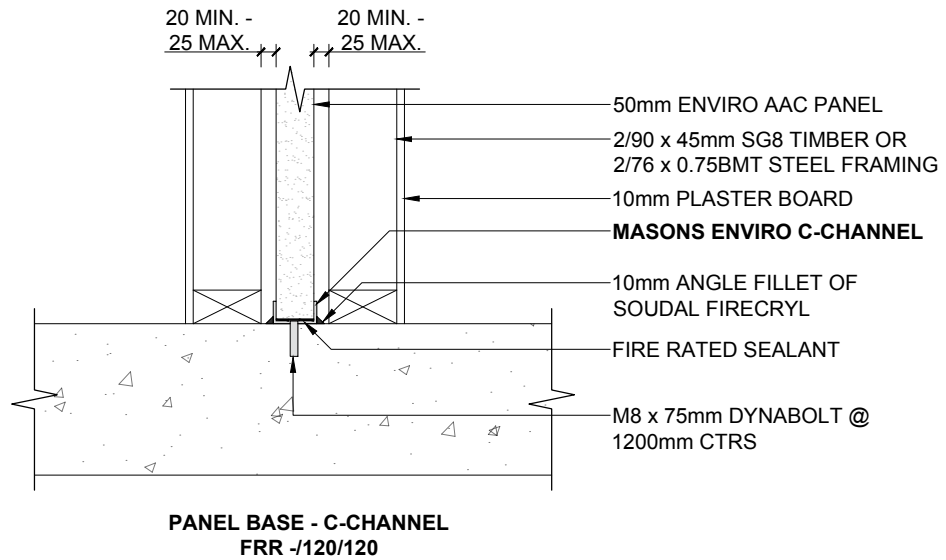
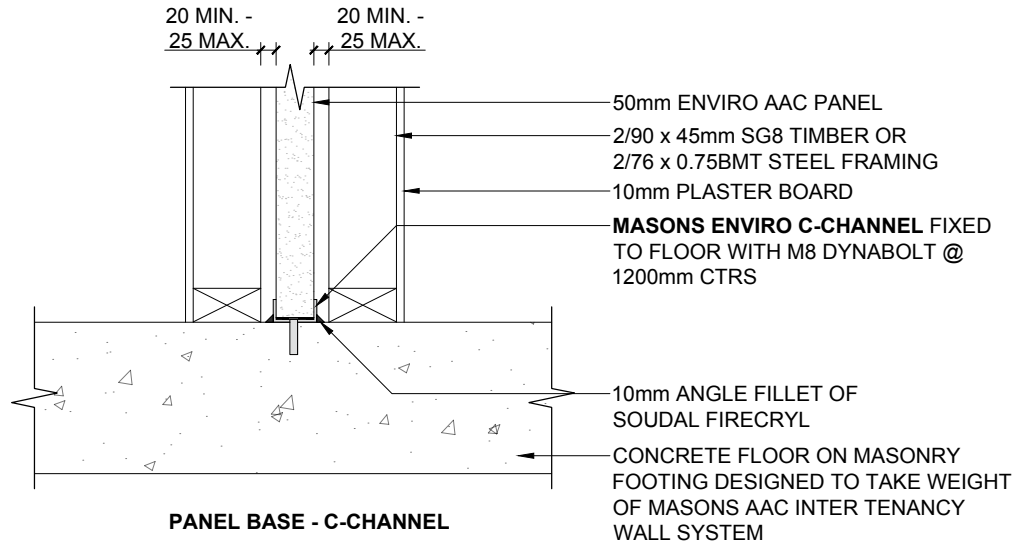
Drawing No. **ITW.02**



MASON'S ENVIRO C-CHANNEL
 0.55 BMT STEEL GALVANISED



10mm ANGLE FILLET
 OF SOUDAL FIRECRYL

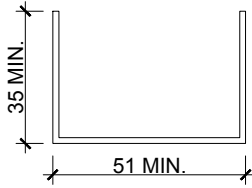




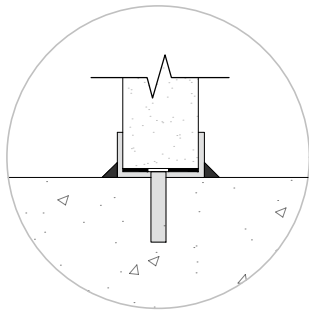
Masons Enviro AAC 50mm Inter Tenancy Wall System
Overall Dimension - FRR -/120/120

Scale 1:10 Date

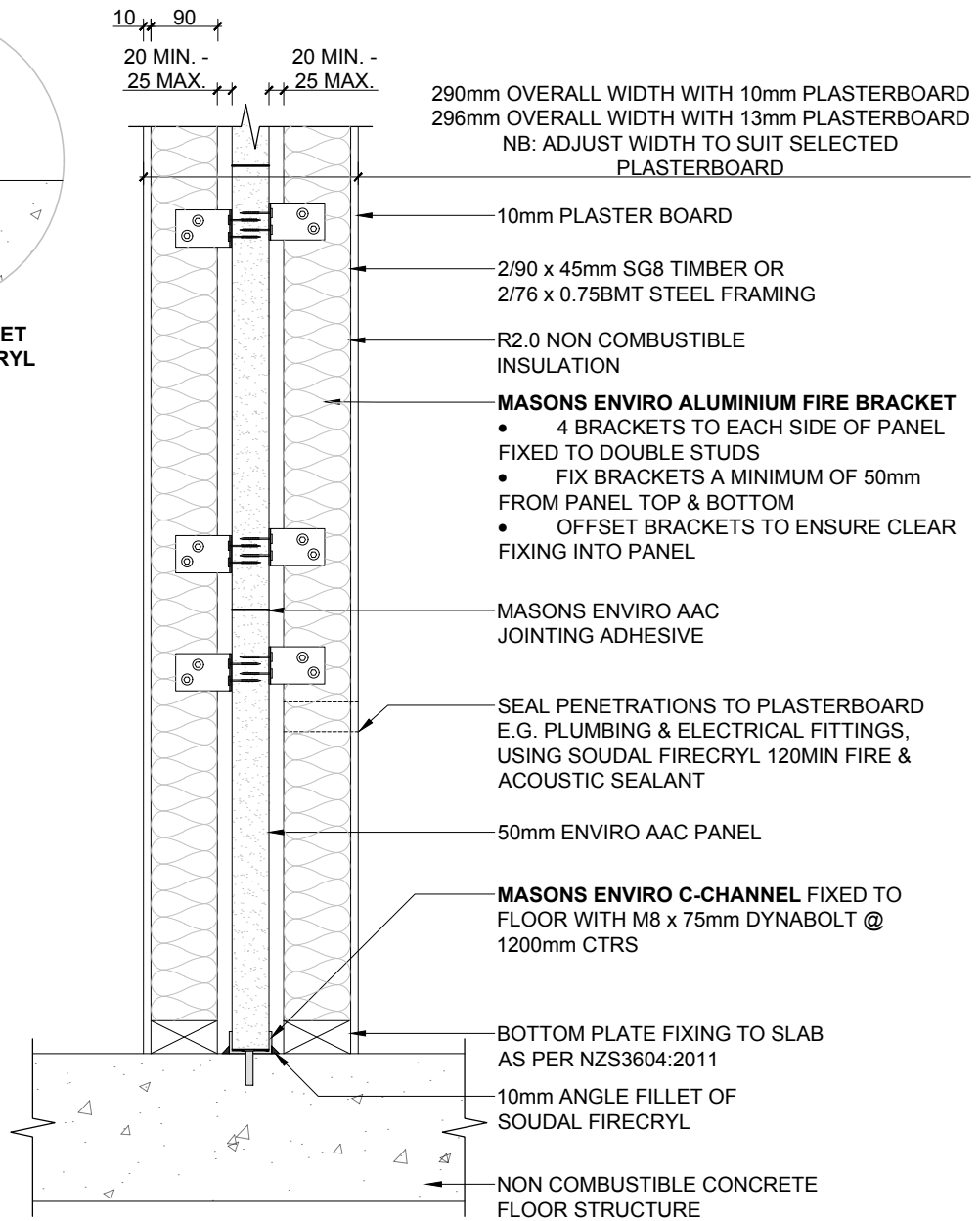
Drawing No. **ITW.03**



MASON'S ENVIRO C-CHANNEL
0.55 BMT STEEL GALVANISED



10mm ANGLE FILLET
OF SOUDAL FIRECRYL

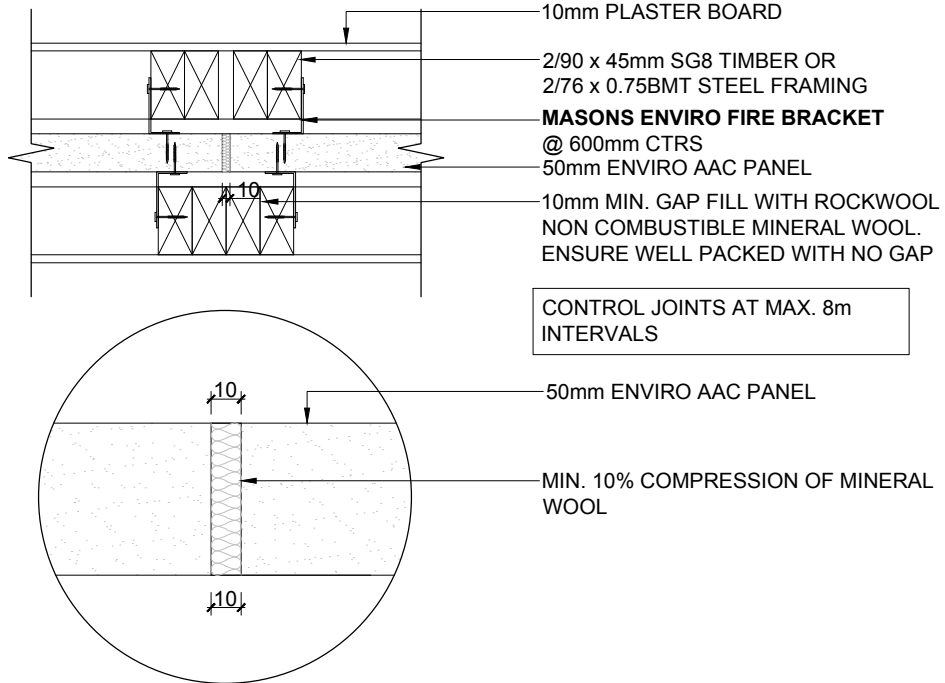




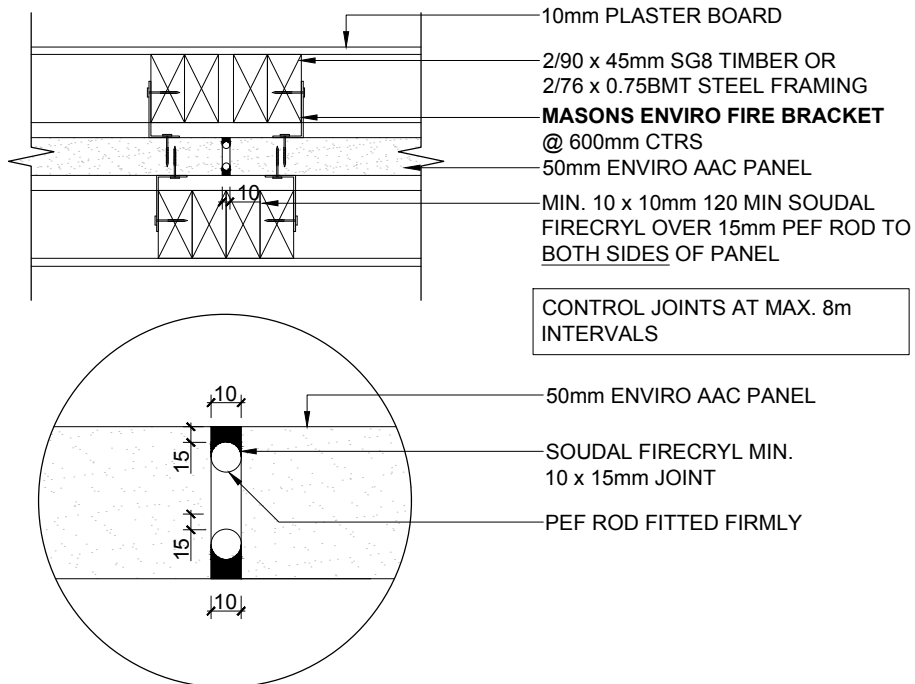
Masons Enviro AAC 50mm
Inter Tenancy Wall System
 Panel Control Joint - FRR -/120/120

Scale 1:10 Date

Drawing No. **ITW.04**



**CONTROL JOINT OPTION 1 -
NON COMBUSTIBLE MINERAL WOOL**



**CONTROL JOINT OPTION 2 -
FIRE RESISTANT SEALANT JOINT**



MASONS
Designed Smart, Built Tough

**Masons Enviro AAC 50mm
Inter Tenancy Wall System**

50mm Enviro AAC Panel Installation - FRR -/120/120

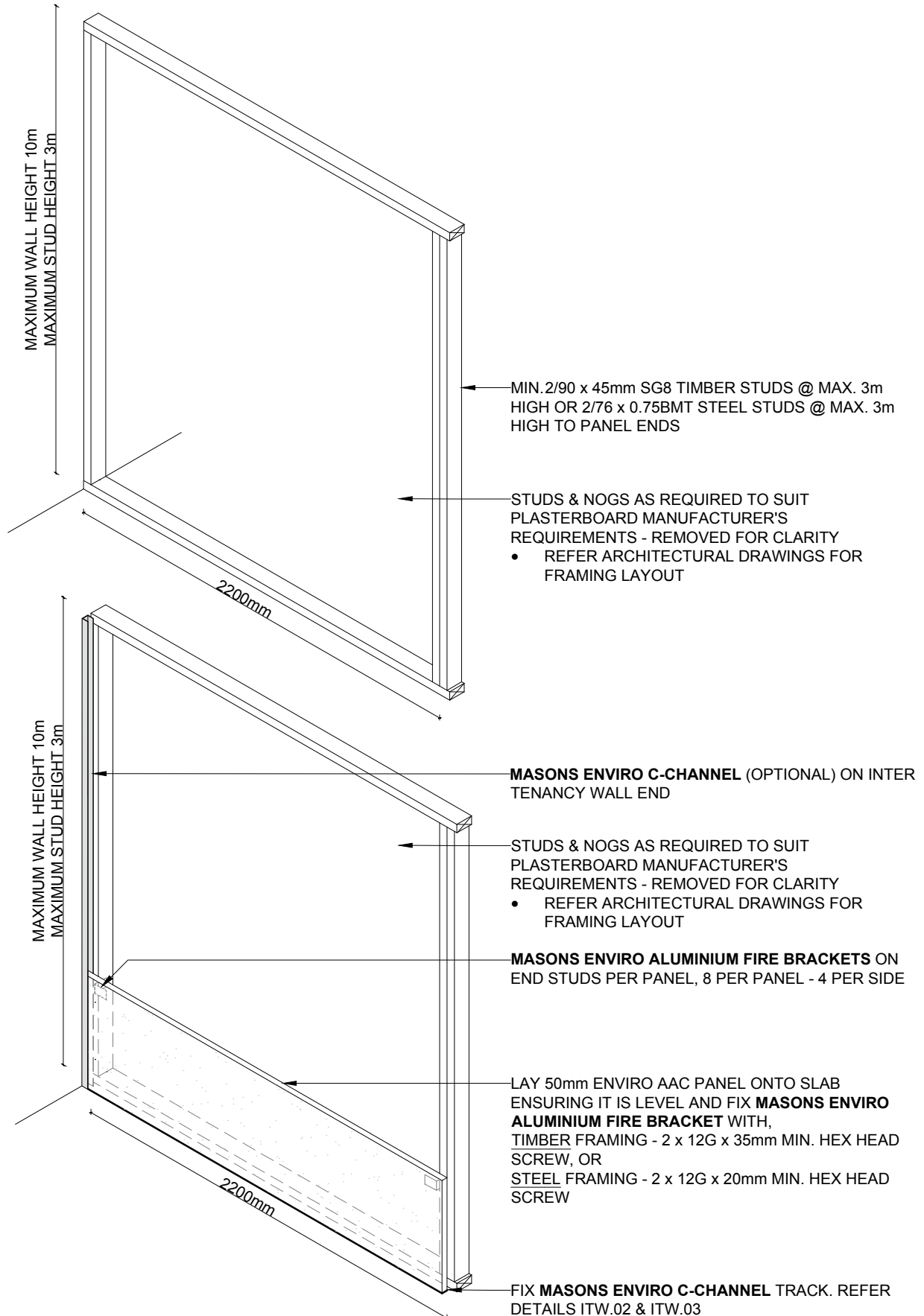
Scale

N.T.S

Date

Drawing No.

ITW.05





MASONS
Designed Smart, Built Tough

**Masons Enviro AAC 50mm
Inter Tenancy Wall System**

50mm Enviro AAC Panel Installation - FRR -/120/120

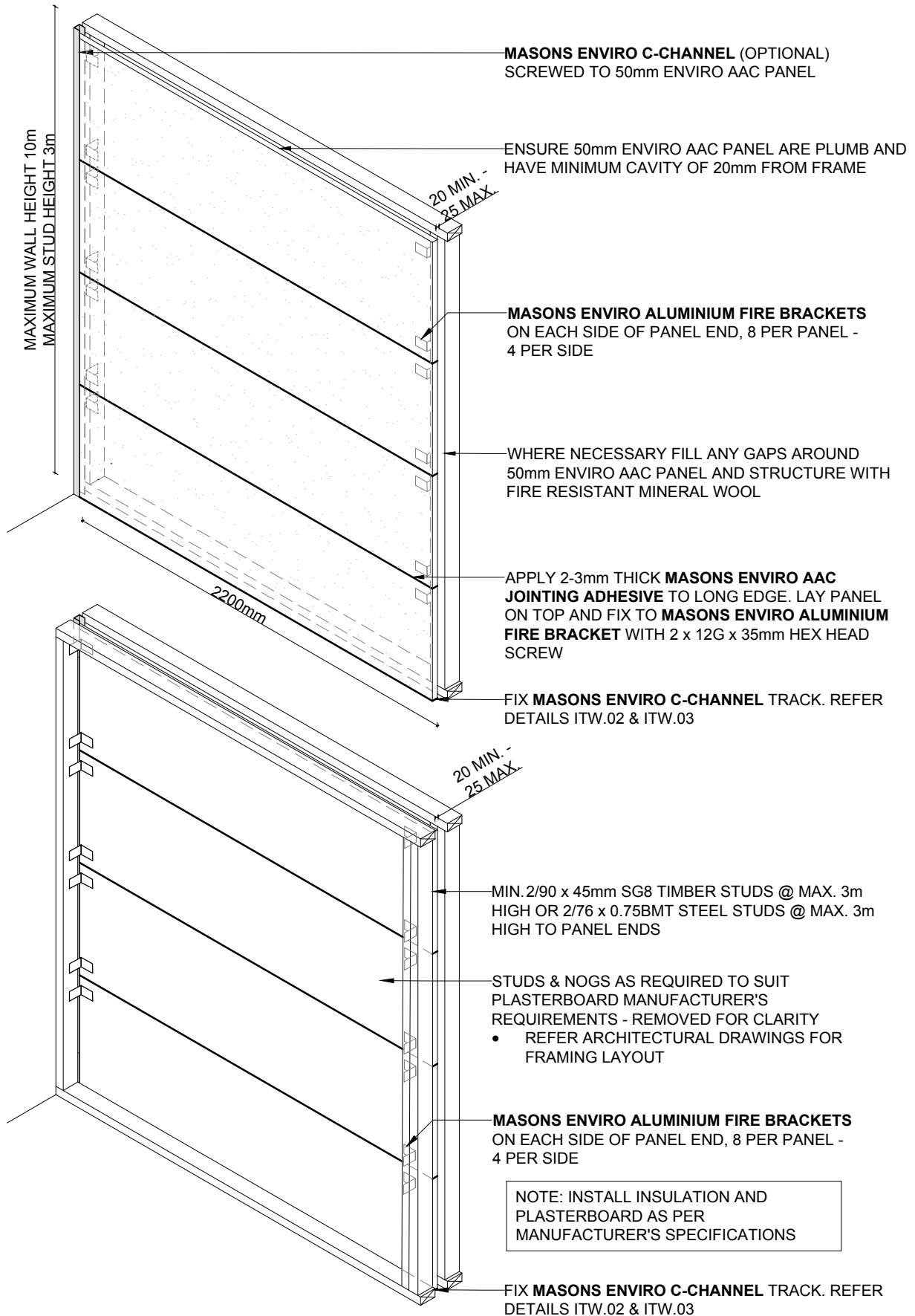
Scale

N.T.S

Date

Drawing No.

ITW.06



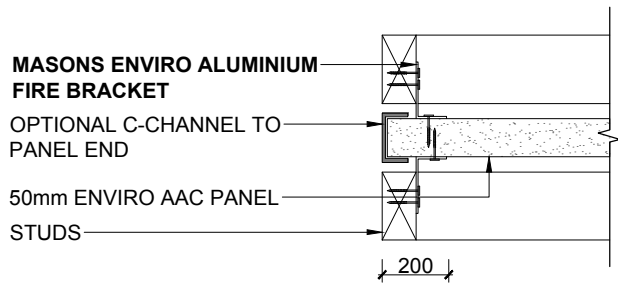


Masons Enviro AAC 50mm
Inter Tenancy Wall System
 Enviro Aluminium Fire Bracket Layout -
 FRR -/120/120

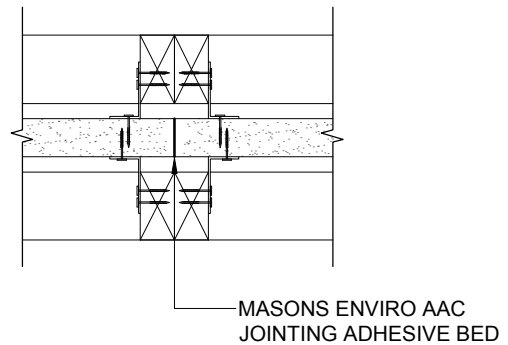
Scale 1:10 Date

Drawing No. **ITW.07**

C-CHANNEL END DETAIL

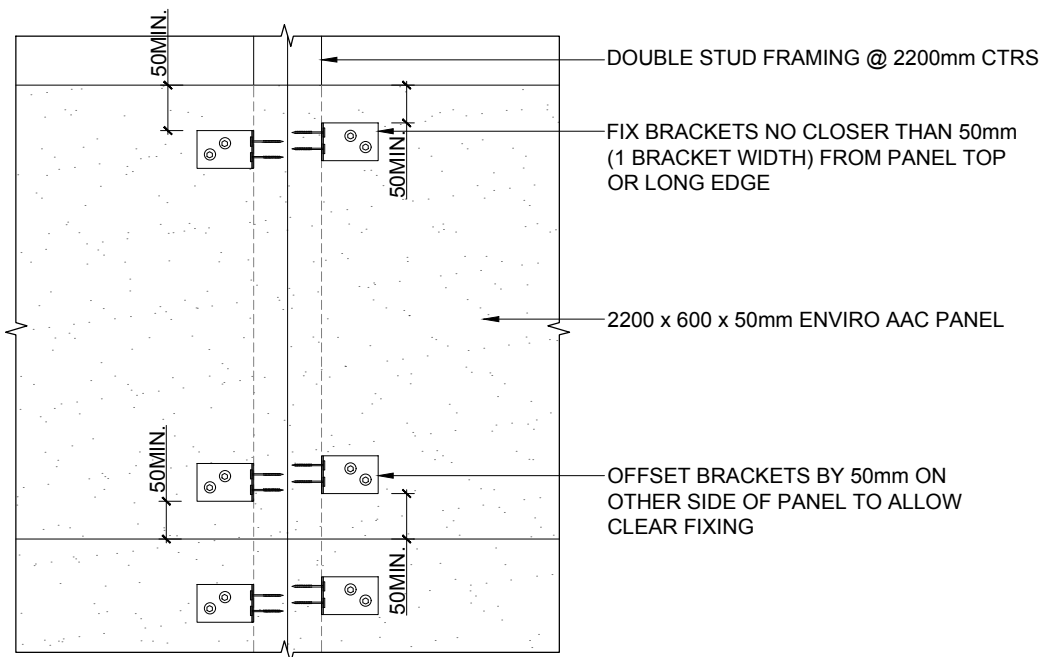


TYPICAL PANEL JOINT - JOINTING ADHESIVE



NOTE:

- USE APPROPRIATE FIXING FOR CORROSION ZONE
- MAXIMUM SPACING FOR ANGLE BRACKETS REFER TO FIXING TABLE



CONTROL JOINT BRACKET PLACEMENT



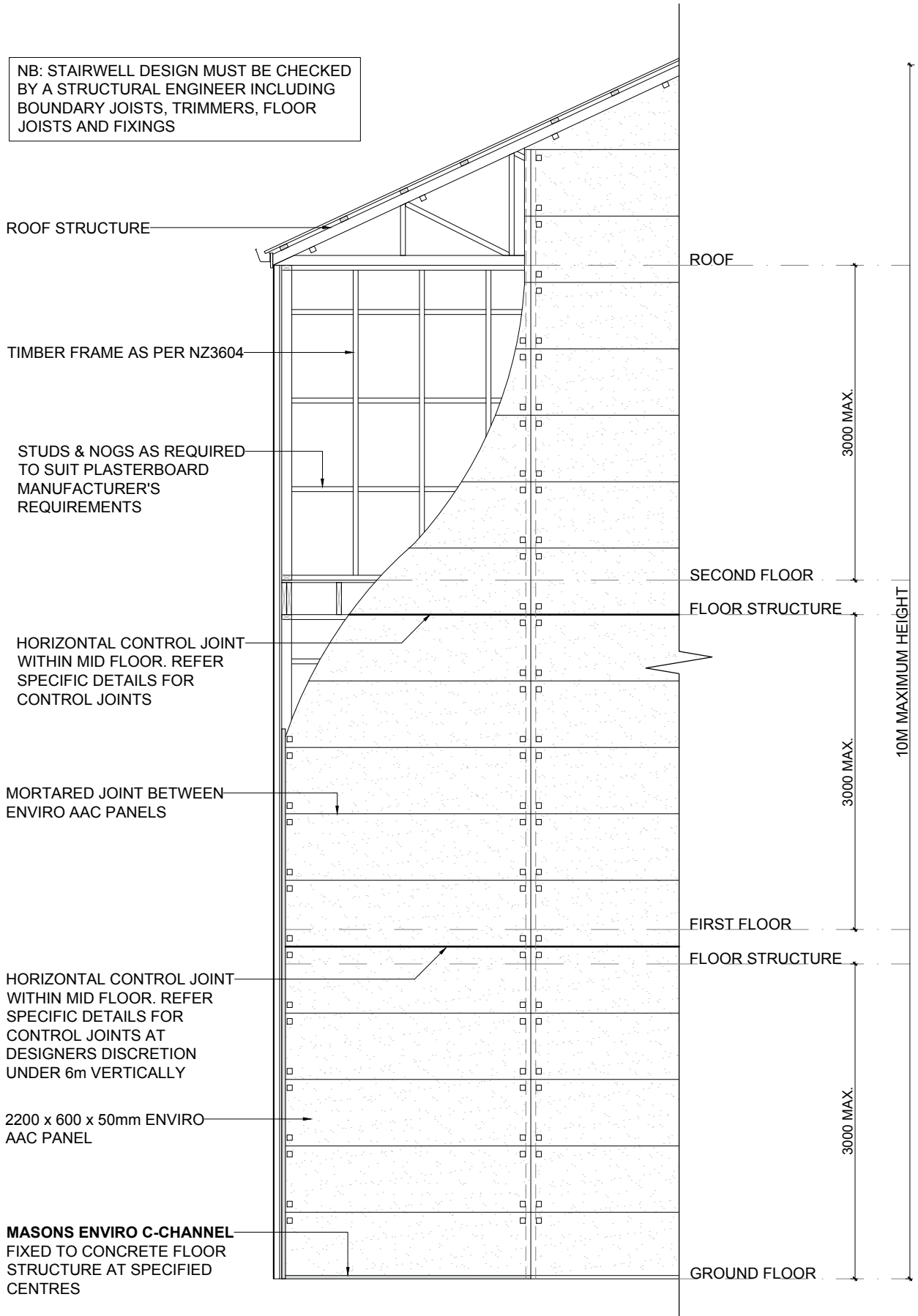
MASONS
Designed Smart, Built Tough

Masons Enviro AAC 50mm
Inter Tenancy Wall System
50mm Enviro AAC Panel Setout - Multi Storey -
FRR -/120/120

Drawing No.

ITW.08

NB: STAIRWELL DESIGN MUST BE CHECKED BY A STRUCTURAL ENGINEER INCLUDING BOUNDARY JOISTS, TRIMMERS, FLOOR JOISTS AND FIXINGS





MASONS
Designed Smart, Built Tough

Masons Enviro AAC 50mm Inter Tenancy Wall System
Midfloor Junction - FRR -/120/120

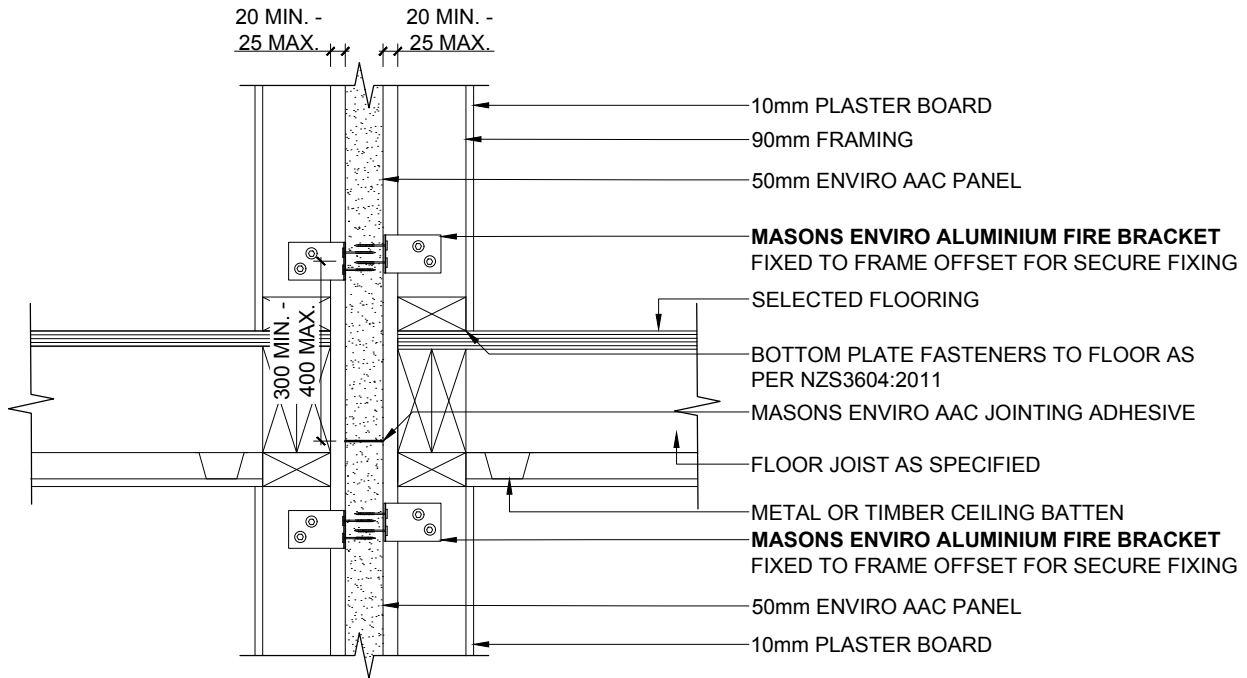
Scale

1:10

Date

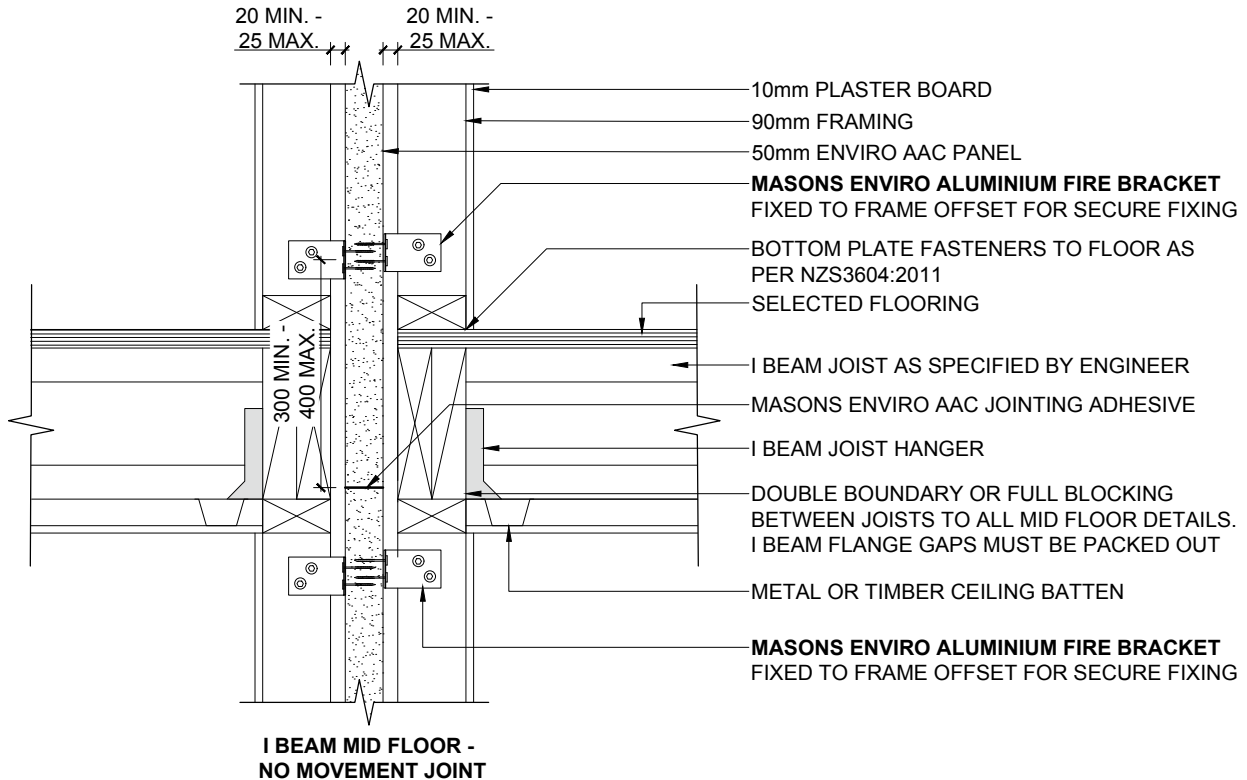
Drawing No.

ITW.09



**SOLID TIMBER MID FLOOR -
NO MOVEMENT JOINT**

NB: STAIRWELL DESIGN MUST BE CHECKED BY A STRUCTURAL ENGINEER INCLUDING BOUNDARY JOISTS, TRIMMERS, FLOOR JOISTS AND FIXINGS



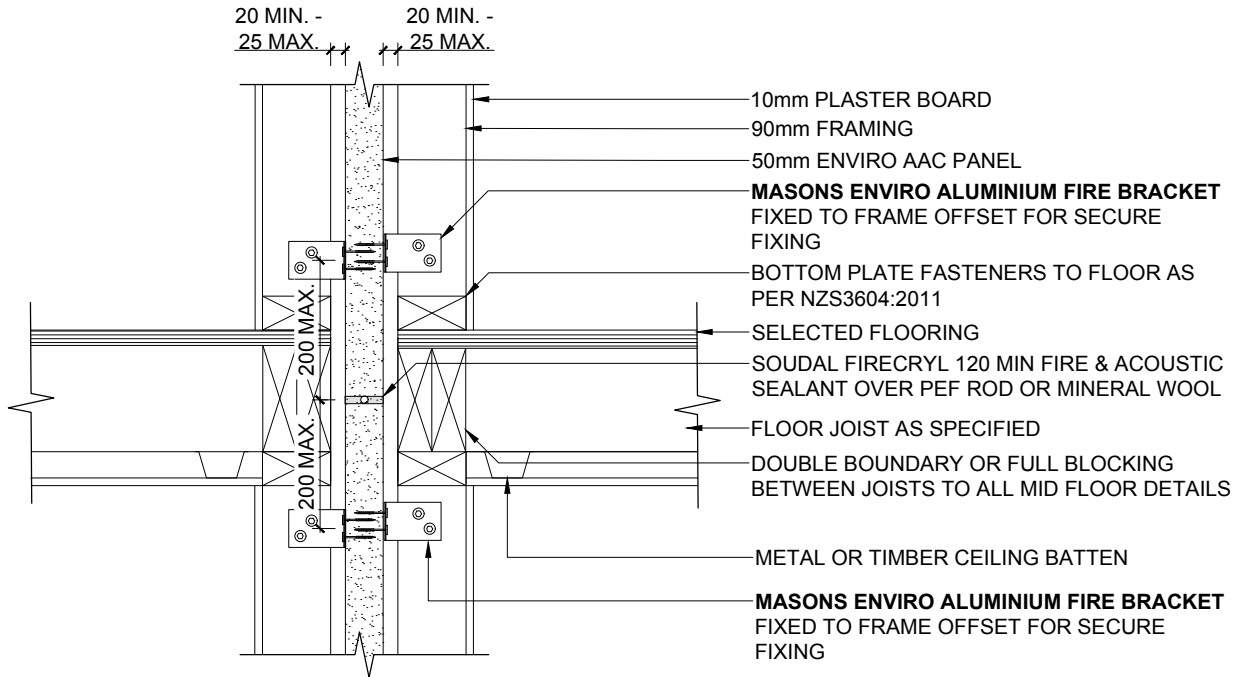
**I BEAM MID FLOOR -
NO MOVEMENT JOINT**



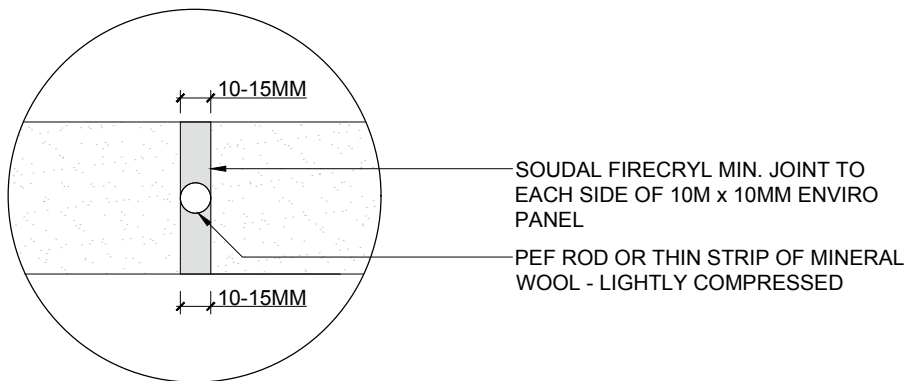
**Masons Enviro AAC 50mm
Inter Tenancy Wall System**
Midfloor Expansion Joint - FRR -/120/120

Scale 1:10 Date

Drawing No. **ITW.10**



**SOLID TIMBER MID FLOOR -
HORIZONTAL EXPANSION JOINT**



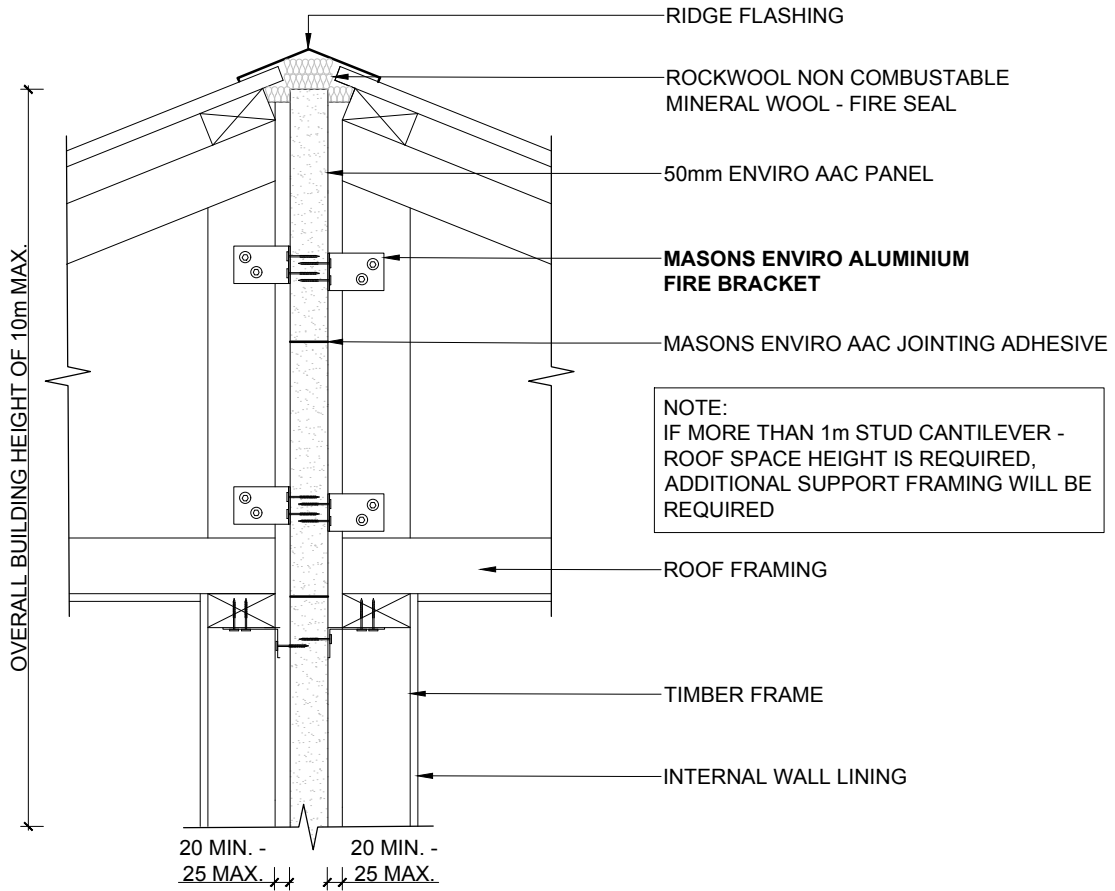
**EXPANSION JOINT AS SPECIFIED
BY BUILDING DESIGNER**



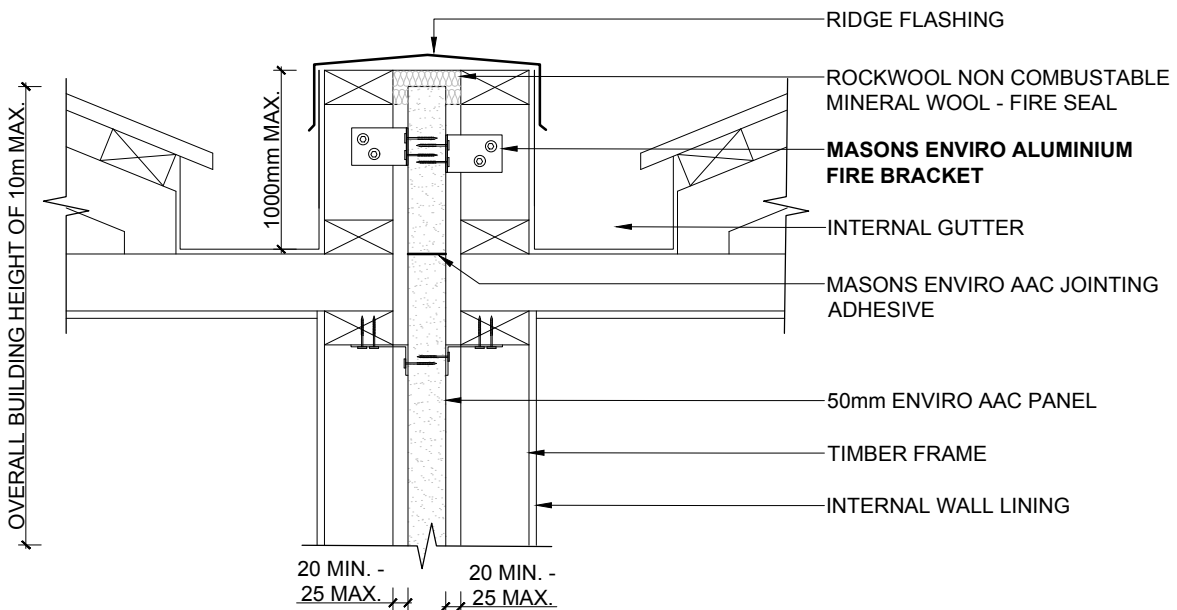
Masons Enviro AAC 50mm
Inter Tenancy Wall System
 Pitched Roof & Parapet Junction - FRR -/120/120

Scale 1:10 Date

Drawing No. **ITW.11**



PITCHED ROOF JUNCTION



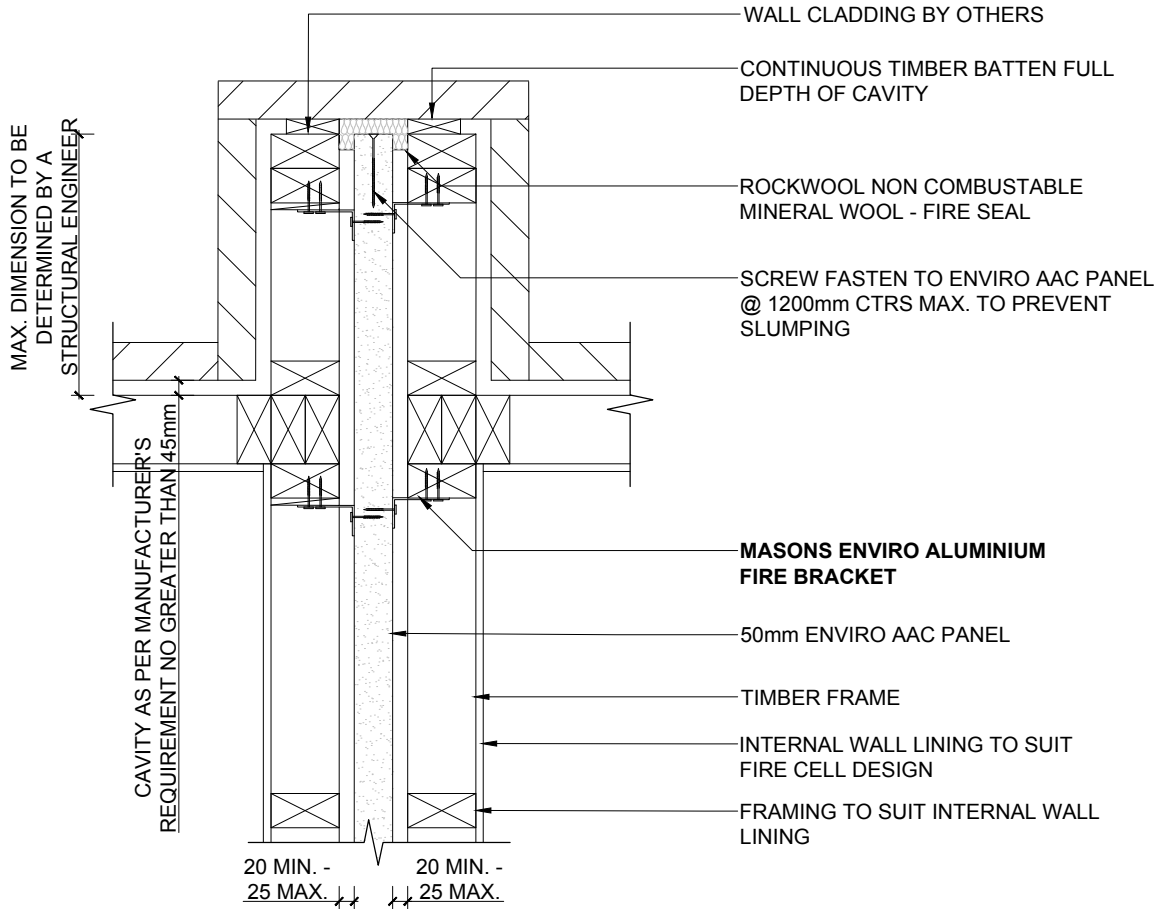
ROOF PARAPET JUNCTION



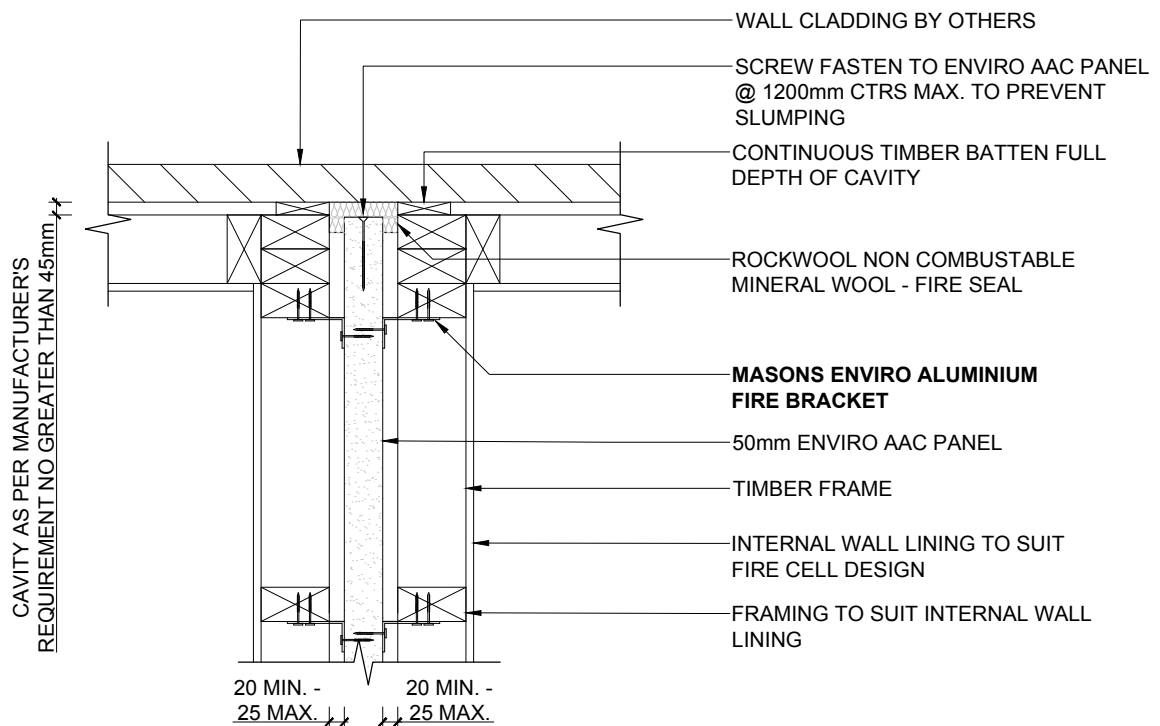
Masons Enviro AAC 50mm Inter Tenancy Wall System
 'Nib' Wall & Intersection with Cladding -
 FRR -/120/120

Scale 1:10 Date

Drawing No. **ITW.12**



'NIB' JUNCTION



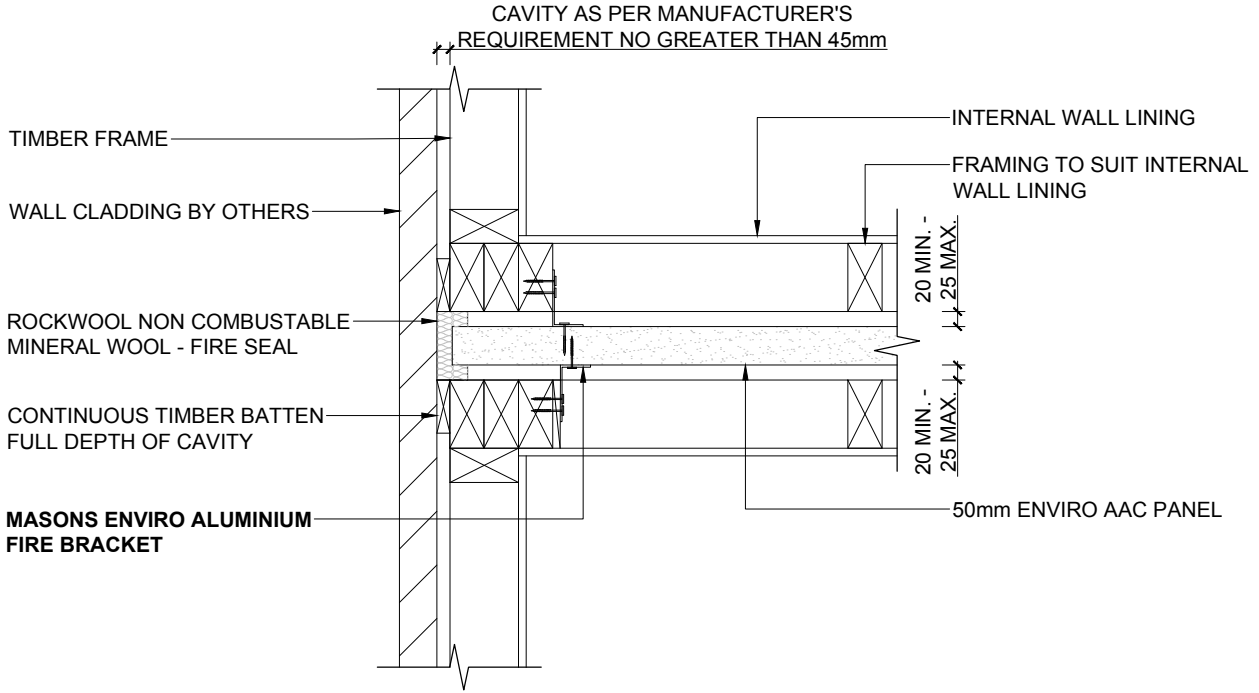
INTERSECTION WITH CLADDING



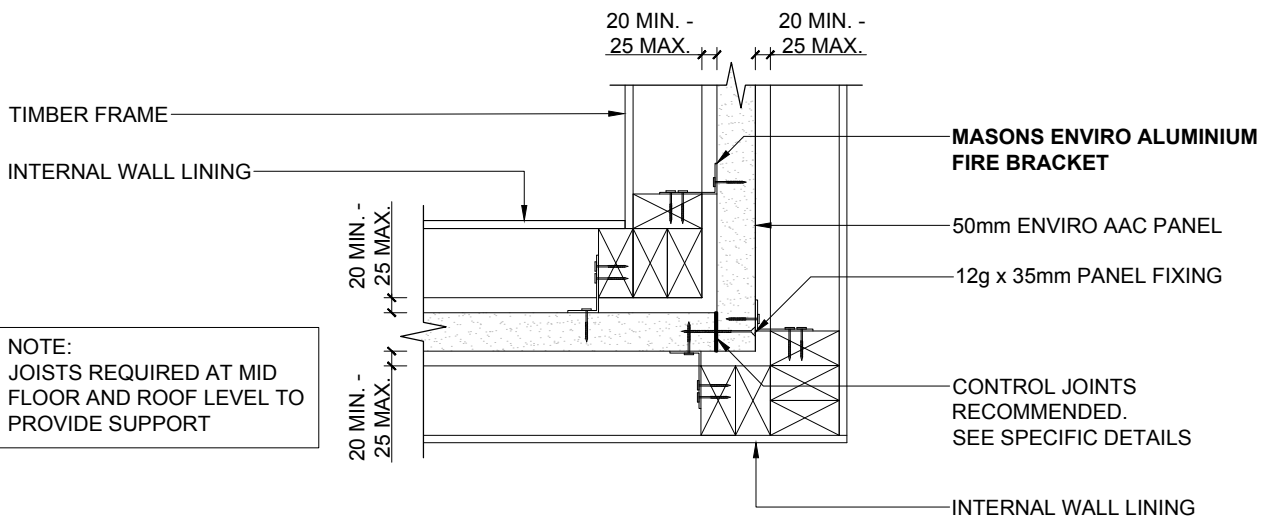
Masons Enviro AAC 50mm Inter Tenancy Wall System
 Panel to External Wall & Typical Corner Junction - FRR -/120/120

Scale 1:10 Date

Drawing No. **ITW.13**



PANEL TO EXTERNAL WALL JUNCTION



NOTE:
 JOISTS REQUIRED AT MID FLOOR AND ROOF LEVEL TO PROVIDE SUPPORT

TYPICAL CORNER JUNCTION