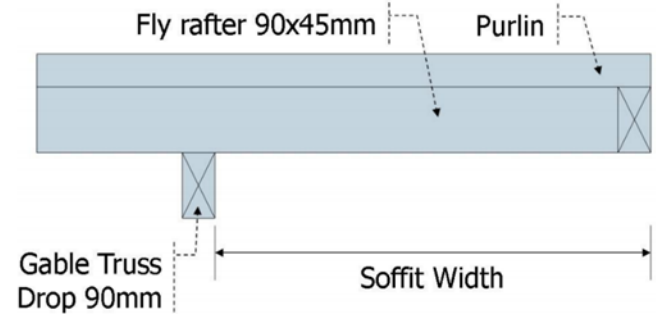
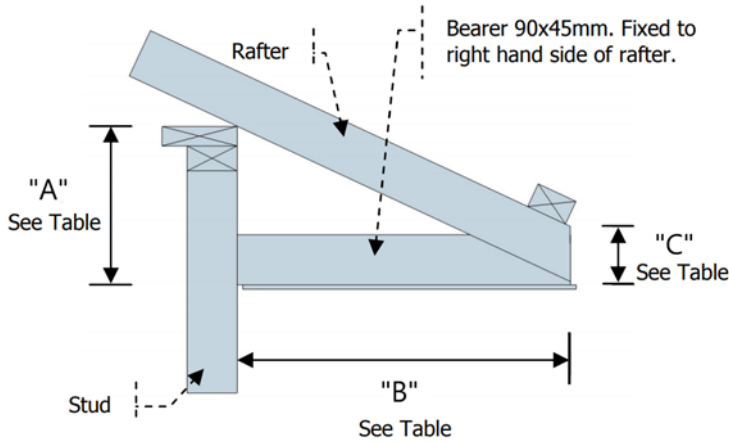


## CONSTRUCTION DETAIL & COMMON DROP HEIGHTS FOR: 180 R5 Fascia Panel with Metal Roof or Metal Tiles



Roof Pitch (Degrees)	Drop Heights (mm)—Dimension "A" (See notes at bottom of table)					Toe Cut (mm) Dimension "C"
	Soffit Width (mm) - Dimension "B"					
	300	450mm	600mm	750mm	900mm	
10.0	96	122	149	175	202	132
12.5	110	143	177	210	243	133
15.0	124	165	205	245	285	134
17.5	139	186	233	281	328	135
20.0	153	208	262	317	371	136
22.5	168	230	292	354	416	137
25.0	183	253	322	392	462	137
27.5	198	276	354	432	510	138
30.0	213	300	387	473	560	138
35.0	246	351	456	561	666	139
40.0	282	408	534	660	786	139
45.0	322	472	622	772	922	139

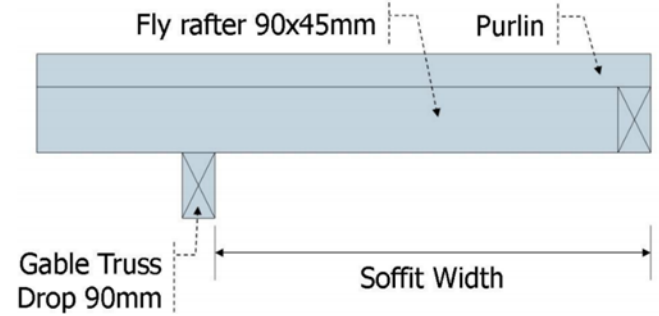
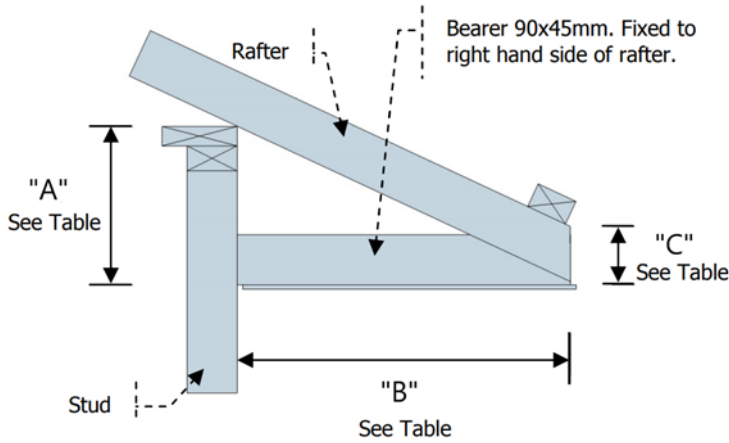
Drop Height "A" is calculated assuming the following constants:

Soffit clearance = 10mm ; Roof clearance = 10mm ; Rafter height = 90mm ; Purlin/Batten height = 45mm

NOTE: For different roof pitch's and soffit widths, visit our online drop height calculator at:

[www.continuous.co.nz/fascia-panel/truss-series/180-R5](http://www.continuous.co.nz/fascia-panel/truss-series/180-R5)

## CONSTRUCTION DETAIL & COMMON DROP HEIGHTS FOR: 180 R5 Fascia Panel with Concrete tile roof



Roof Pitch (Degrees)	Drop Heights (mm)—Dimension "A" (See notes at bottom of table)					Toe Cut (mm) Dimension "C"
	Soffit Width (mm) - Dimension "B"					
	300	450mm	600mm	750mm	900mm	
15.0	98	139	179	219	259	108
17.5	112	160	207	254	302	109
20.0	126	181	236	290	345	109
22.5	141	203	265	327	389	109
25.0	155	225	295	365	435	109
27.5	170	248	326	404	482	109
30.0	185	271	358	444	531	109
35.0	216	321	426	531	636	108
40.0	249	375	501	627	753	106
45.0	287	437	587	737	887	104

Drop Height "A" is calculated assuming the following constants:

Soffitt clearance=10mm ; Roof clearance=10mm ; Rafter height=90mm ; Batten height=45mm + 25mm packer on last batten=70mm

NOTE: For different roof pitch's and soffit widths, visit our online drop height calculator at:

[www.continuous.co.nz/fascia-panel/truss-series/180-R5](http://www.continuous.co.nz/fascia-panel/truss-series/180-R5)