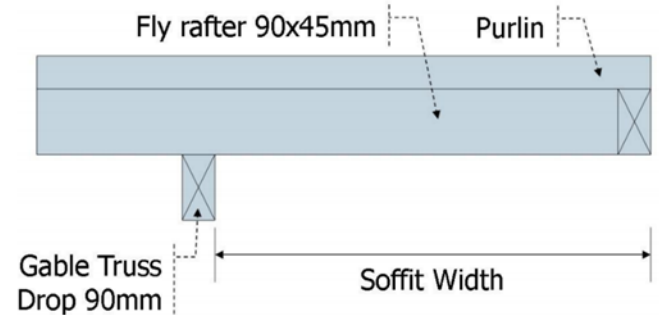
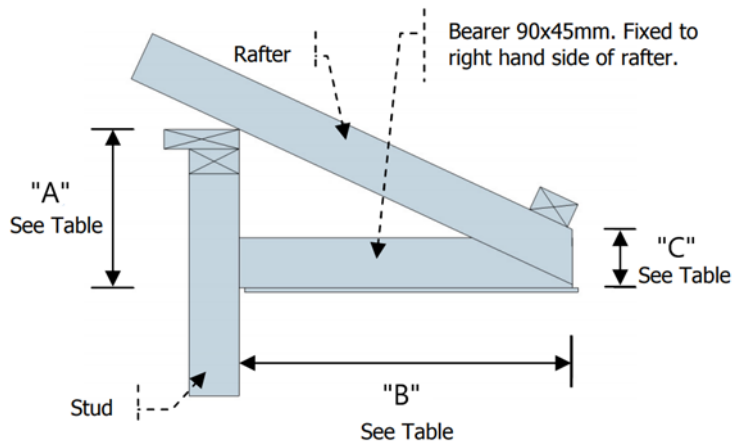


CONSTRUCTION DETAIL & COMMON DROP HEIGHTS FOR: 180 N-LINE Fascia Panel with Metal Roof or Metal Tiles



Roof Pitch (Degrees)	Drop Heights (mm)—Dimension "A" (See notes at bottom of table)					Toe Cut (mm) Dimension "C"
	Soffit Width (mm) - Dimension "B"					
	300	450mm	600mm	750mm	900mm	
10.0	93	119	145	172	198	129
12.5	107	140	173	206	240	130
15.0	121	161	201	241	282	130
17.5	135	182	230	277	324	131
20.0	149	204	259	313	368	132
22.5	164	226	288	350	412	132
25.0	179	249	319	388	458	133
27.5	194	272	350	428	506	133
30.0	209	296	382	469	556	134
35.0	242	347	452	557	662	134
40.0	277	403	529	655	781	134
45.0	317	467	617	767	917	134

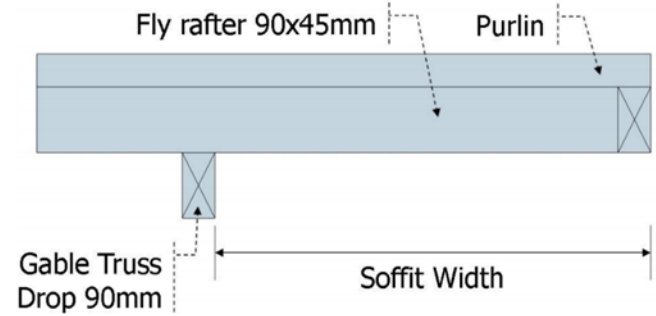
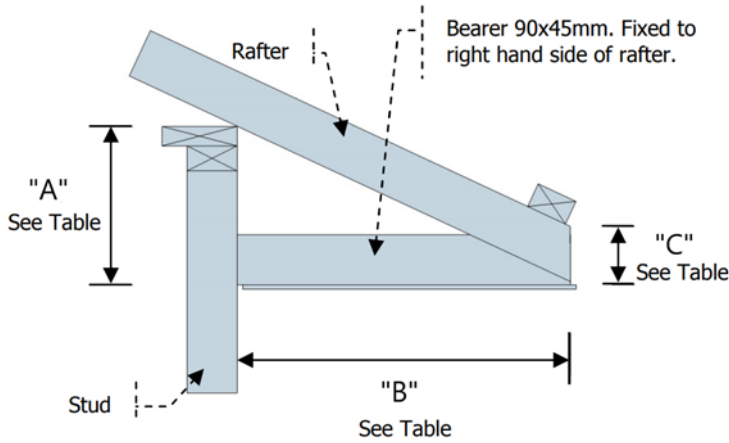
Drop Height "A" is calculated assuming the following constants:

Soffit clearance = 10mm ; Roof clearance = 10mm ; Rafter height = 90mm ; Purlin/Batten height = 45mm

NOTE: For different roof pitch's and soffit widths, visit our online drop height calculator at:

www.continuous.co.nz/fascia-panel/truss-series/180-N-Line

CONSTRUCTION DETAIL & COMMON DROP HEIGHTS FOR: 180 N-LINE Fascia Panel with Concrete tile roof



Roof Pitch (Degrees)	Drop Heights (mm)—Dimension "A" (See notes at bottom of table)					Toe Cut (mm) Dimension "C"
	Soffit Width (mm) - Dimension "B"					
	300	450mm	600mm	750mm	900mm	
15.0	95	135	175	215	256	105
17.5	109	156	203	251	298	105
20.0	123	177	232	287	341	105
22.5	137	199	261	323	385	105
25.0	151	221	291	361	431	105
27.5	166	244	322	400	478	105
30.0	180	267	354	440	527	105
35.0	211	316	421	526	631	104
40.0	245	371	496	622	748	102
45.0	282	432	582	732	882	99

Drop Height "A" is calculated assuming the following constants:

Soffit clearance=10mm ; Roof clearance=10mm ; Rafter height=90mm ; Batten height=45mm + 25mm packer on last batten=70mm

NOTE: For different roof pitch's and soffit widths, visit our online drop height calculator at:

www.continuous.co.nz/fascia-panel/truss-series/180-N-Line