



MC Linear Offset Panels

Stickman Linear is a complete *new* suite of profiles designed specifically for the **wall panelling market**. These profiles provide easy and precise installation with simple machining procedures.

Panels can be pre-machined in the factory. Alterations, if necessary, can be accomplished on-site with basic power tools.

Matching capping profiles are available to finish off around doorways and openings, creating a completely homogenous system.

Stickman Linear is perfect for commercial applications. Hotels, apartments, hospitals and healthcare facilities, educational institutions, shopping malls, reception areas offices..... The aesthetics of decorative panelling is combined with corner and edge protection.

The Linear profiles can be "Negative" "Flush" "Proud"

The Linear profiles can anodised, colour matching or contrasting.

Ease of installation and cost effectiveness is unlikely to be matched.

Stickman Linear can be fixed directly to the studs without the need of a supporting wall behind. Possibly avoiding a subtrade.

The panels are joined with Stickman GLU or approved construction and panel adhesive. A strong uniform wall system.

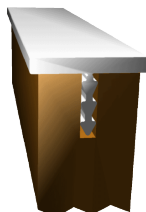
Panels can be a mix of fixed or removable to give concealed access to services.

MC Linear Range

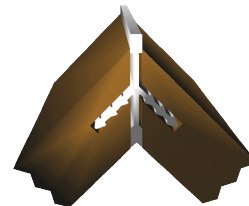
MCLN-JOIN
 McLinear Panel Join
 Machine with MCHDC



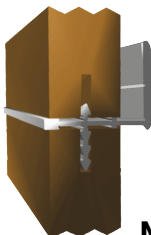
MCLN-CAP
 McLinear Panel End Cap



MCLN-CORN
 McLinear 90° Corner Join
 Machine with MCC
 (Mitre Corner Cutter)

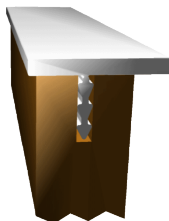


MCLN-WF-JOIN
 McLinear Wall-Fix Panel Join

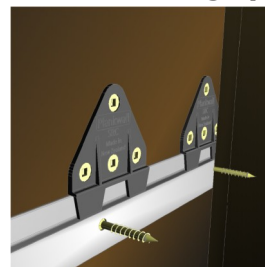


Machine with MCHDC

MCLN-WF-CAP
 McLinear Wall-fix Panel End Cap



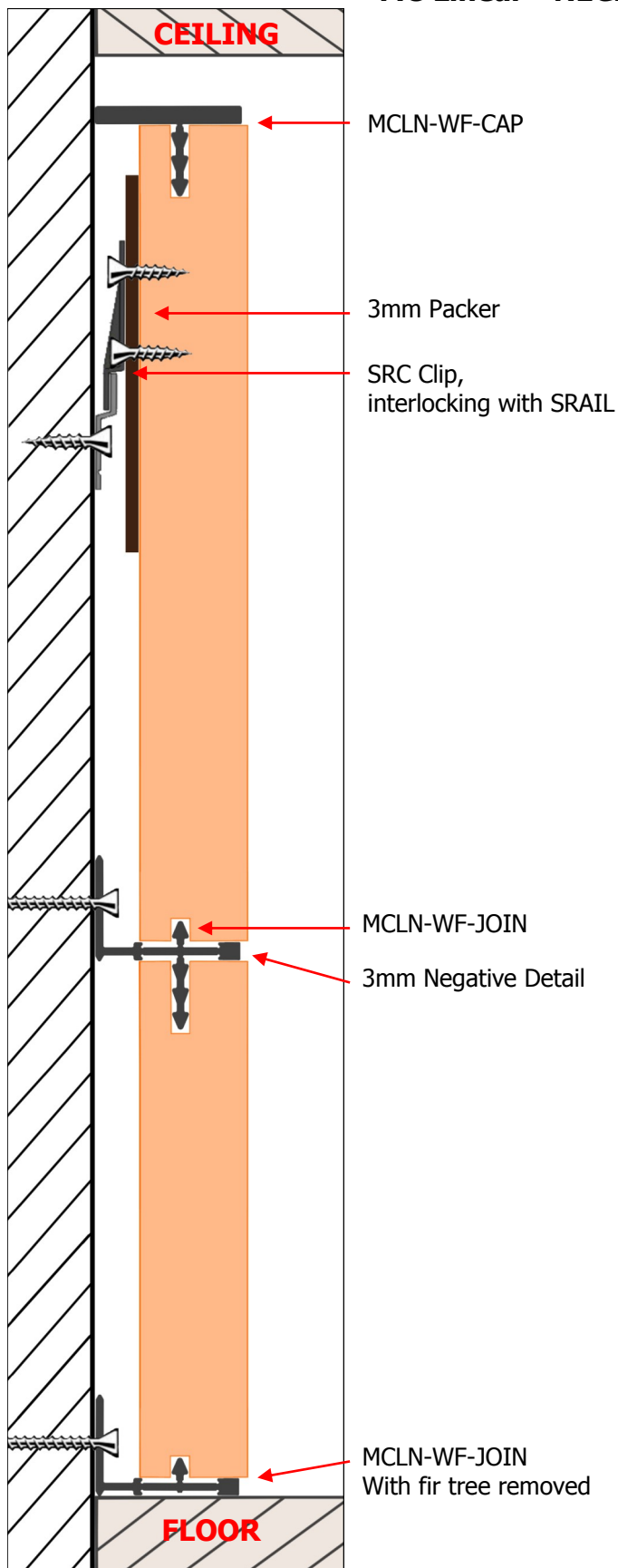
SRAIL & SRC
 Split Rail Mounting System





MC Linear Offset Panels

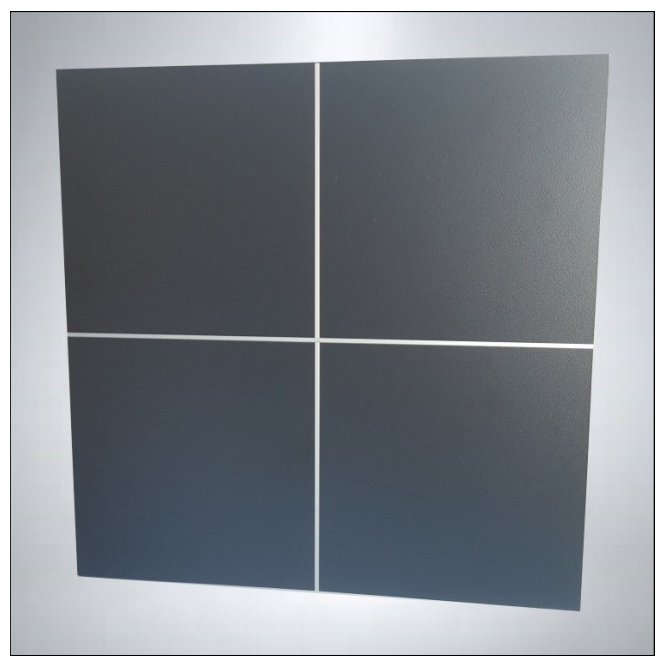
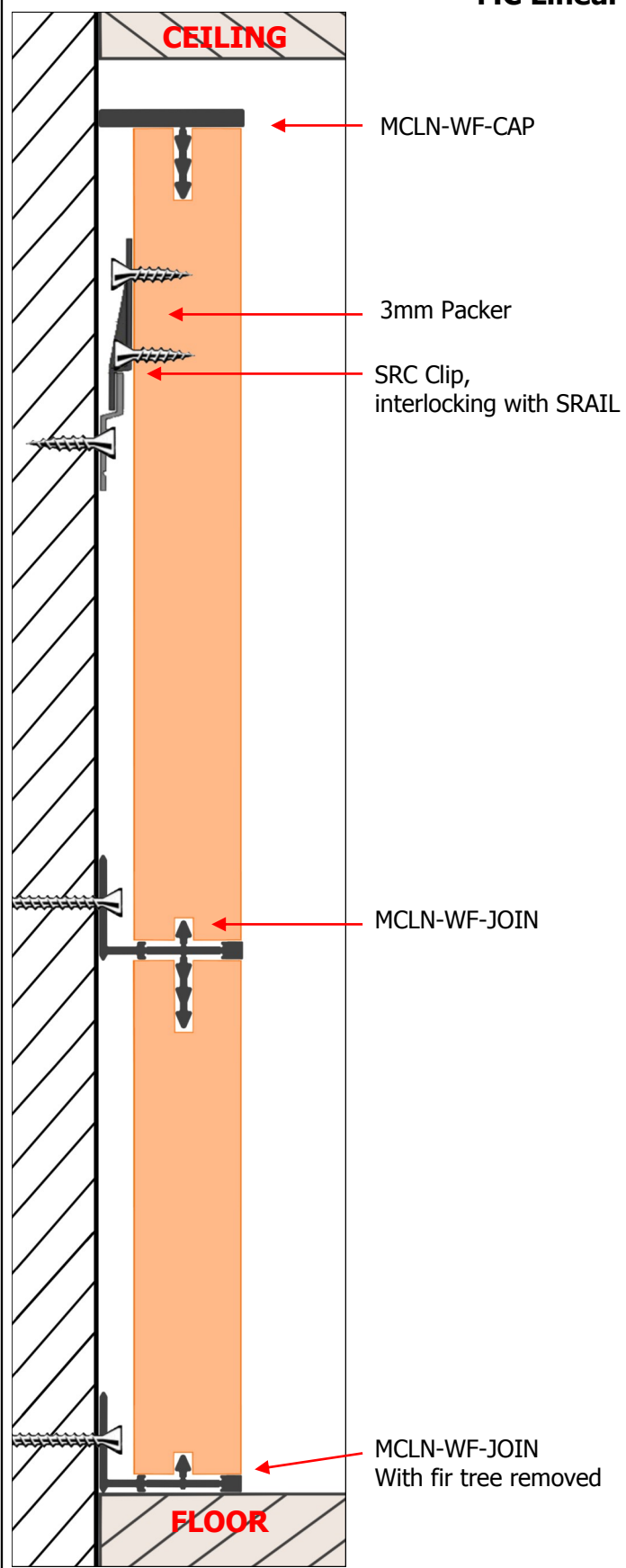
MC Linear - NEGATIVE DETAIL





MC Linear Offset Panels

MC Linear - FLUSH





MC Linear Offset Panels

MC Linear - PROUD

