



Yale



Induro[®]

4-point mortice lock

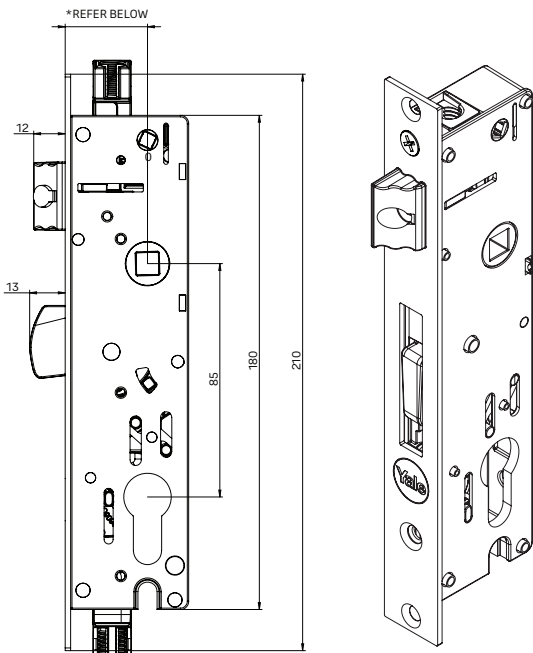
The Induro[®] mortice lock offers a new and improved locking system with enhanced furniture options available. When deadlocked, the Induro[®] 4-point provides increased security with up to four points of locking. The shootbolt provides added security and seal compression, designed specifically for the New Zealand environment. See reverse for handle operation.

Features

- Features four points of locking including the latchbolt, deadbolt and shootbolts
- When used with the correct strike the lock generates optimum seal compression to provide improved water and air seal performance, especially for large panel doors
- Sequencing of locking points can be in any order (can be locked with or without shootbolts thrown)
- The handing of the lockset is adjusted by reversing the orientation of the latchbolt
- Standard kits are supplied with furniture and keyed cylinder
- Can be keyed alike to other ASSA ABLOY CYL4TM 5-Pin locks for one-key convenience
- Achieves Australian Standards AS4145:2008 (Part 2)

Trusted every day





*Available with 30mm, 40mm, 50mm or 60mm backset

Specifications

Options

- Short throw available for 30mm, 40mm, 50mm, and 60mm backset locks (Apex short throw only available in 50mm and 60mm backset)
- Long throw available for 30mm backset
- Available with standard Apex, Verona and Palladium furniture (pictured above)"
- Double cylinder, cylinder and turnknob, half cylinder or half turnknob