

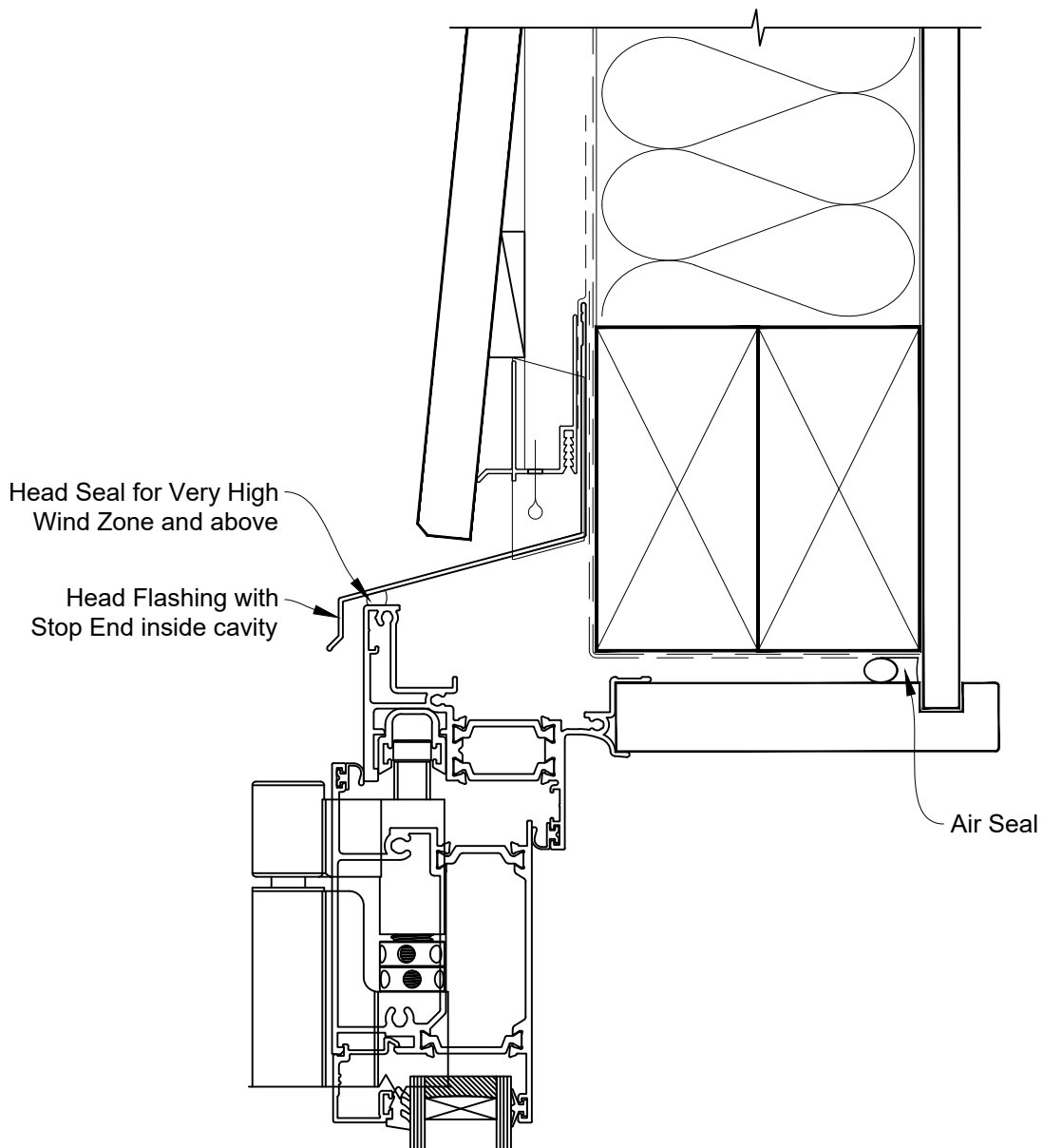


# INSTALLATION DETAIL - RESIDENTIAL THERMAL HEART BIFOLD DOOR OPEN OUT ON BEVELBACK WEATHERBOARD CAVITY CONSTRUCTION

Date: 01.04.22

Scale: 1:2

CAD Ref.: TRBDBW-CH



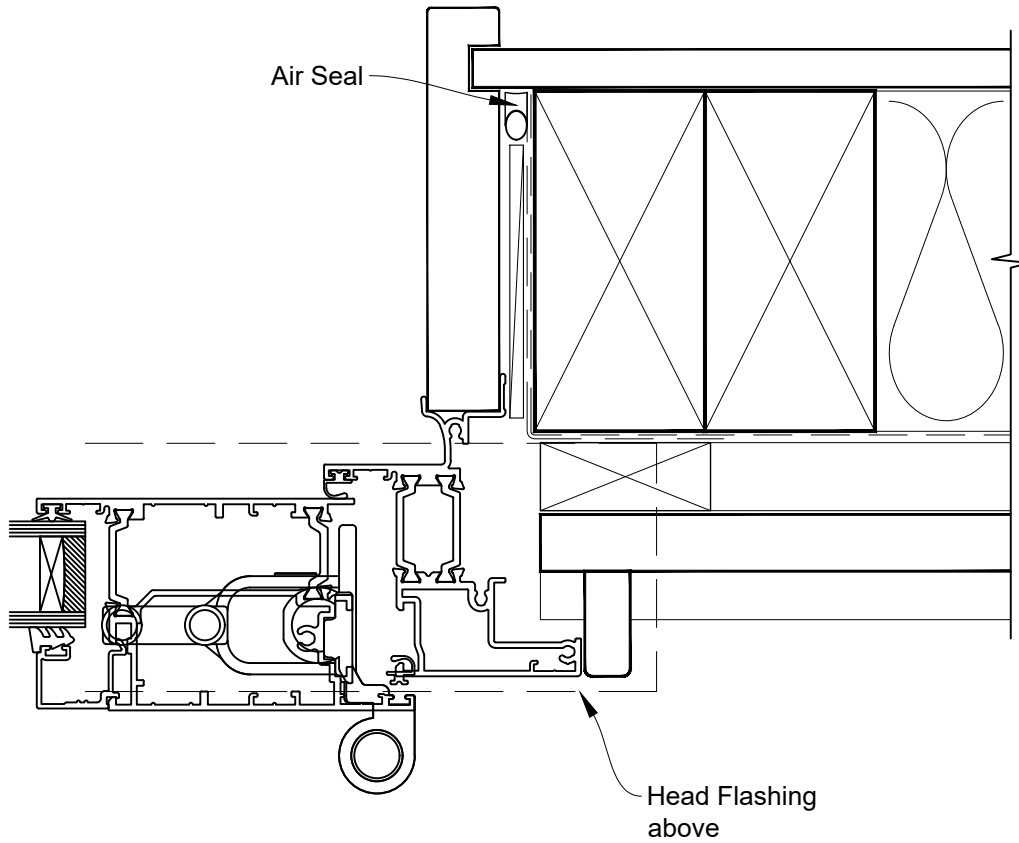


# INSTALLATION DETAIL - RESIDENTIAL THERMAL HEART BIFOLD DOOR OPEN OUT ON BEVELBACK WEATHERBOARD CAVITY CONSTRUCTION

Date: 01.04.22

Scale: 1:2

CAD Ref.: TRBDBW-CJ



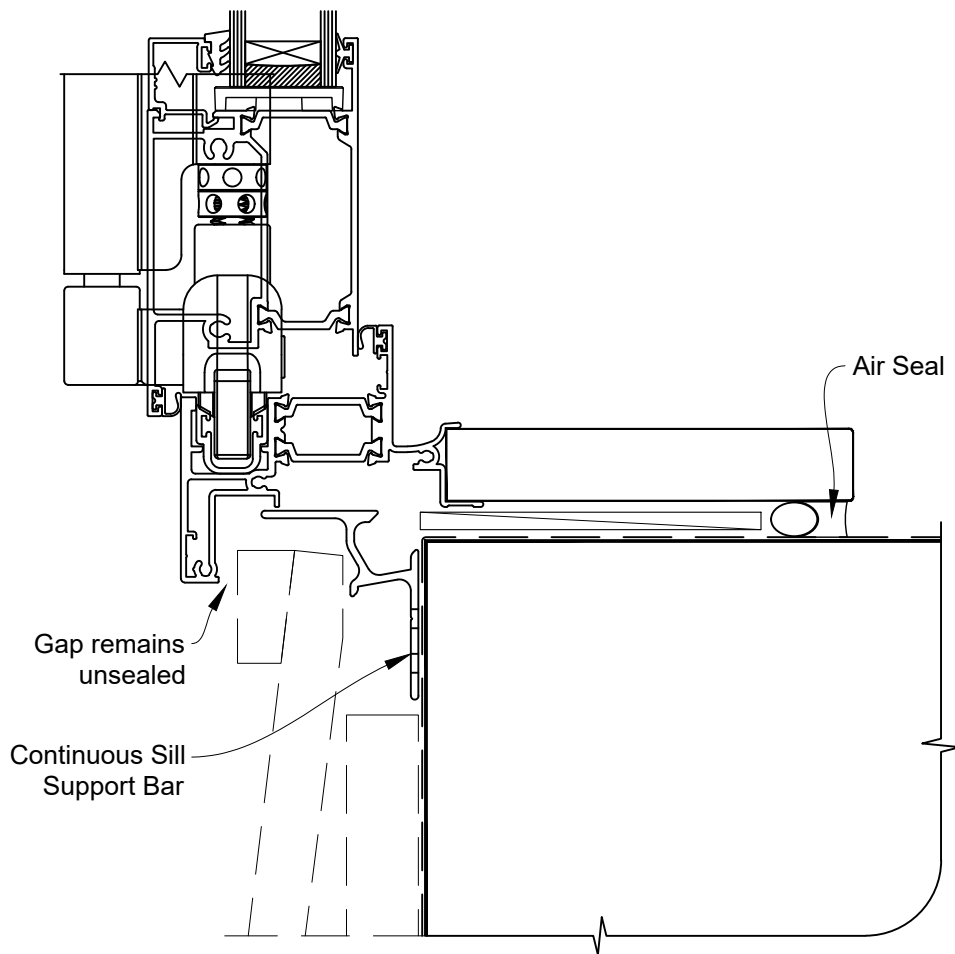


# INSTALLATION DETAIL - RESIDENTIAL THERMAL HEART BIFOLD DOOR OPEN OUT ON BEVELBACK WEATHERBOARD CAVITY CONSTRUCTION

Date: 01.04.22

Scale: 1:2

CAD Ref.: TRBDBW-CS



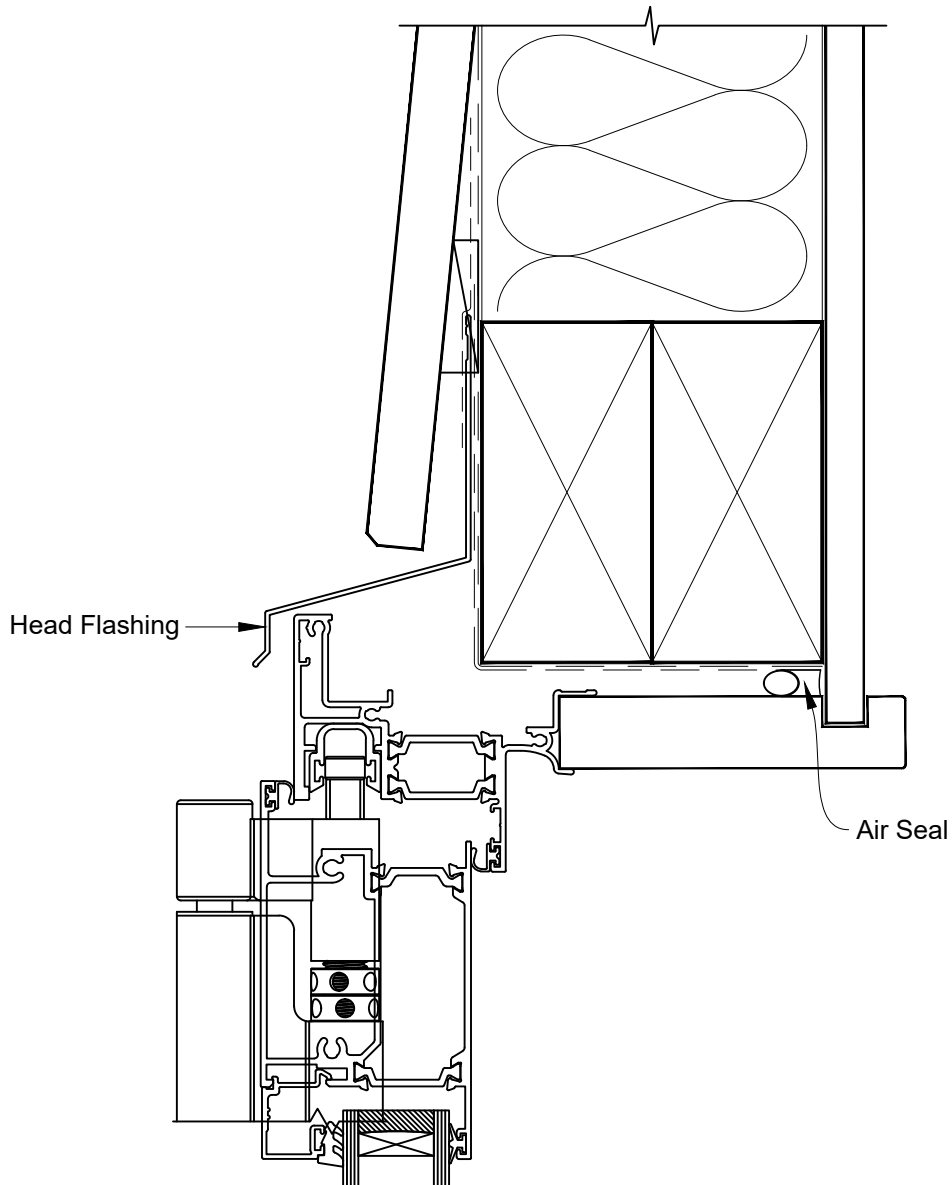


# INSTALLATION DETAIL - RESIDENTIAL THERMAL HEART BIFOLD DOOR OPEN OUT ON BEVELBACK WEATHERBOARD DIRECT FIXED CLADDING

Date: 01.04.22

Scale: 1:2

CAD Ref.: TRBDBW-DH



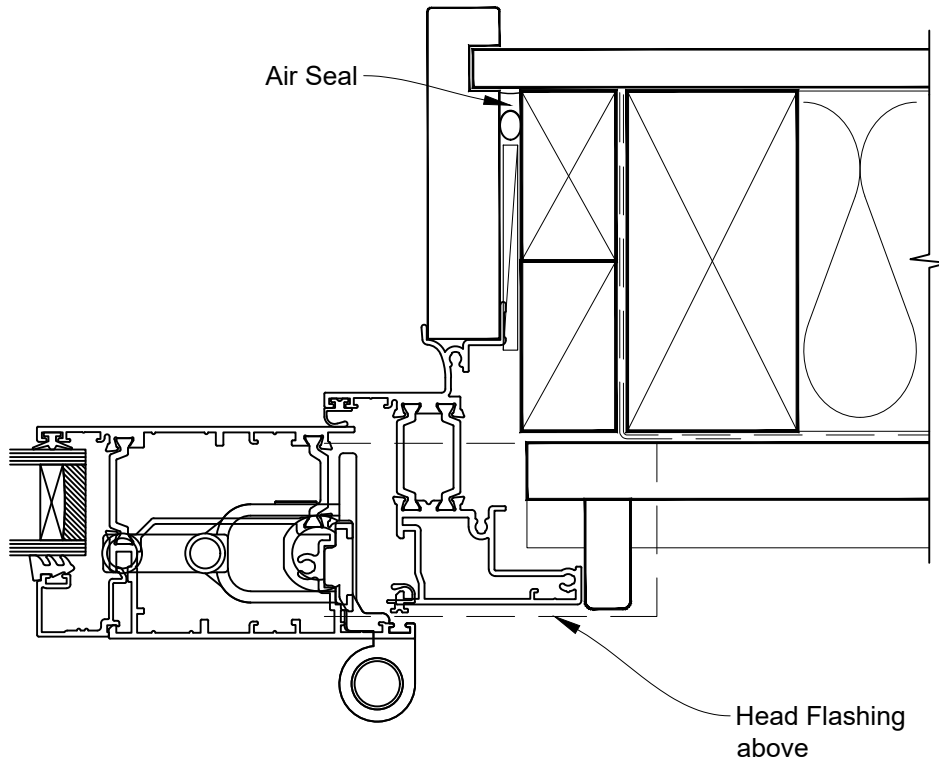


# INSTALLATION DETAIL - RESIDENTIAL THERMAL HEART BIFOLD DOOR OPEN OUT ON BEVELBACK WEATHERBOARD DIRECT FIXED CLADDING

Date: 01.04.22

Scale: 1:2

CAD Ref.: TRBDBW-DJ





# INSTALLATION DETAIL - RESIDENTIAL THERMAL HEART BIFOLD DOOR OPEN OUT ON BEVELBACK WEATHERBOARD DIRECT FIXED CLADDING

Date: 01.04.22

Scale: 1:2

CAD Ref.: TRBDBW-DS

