

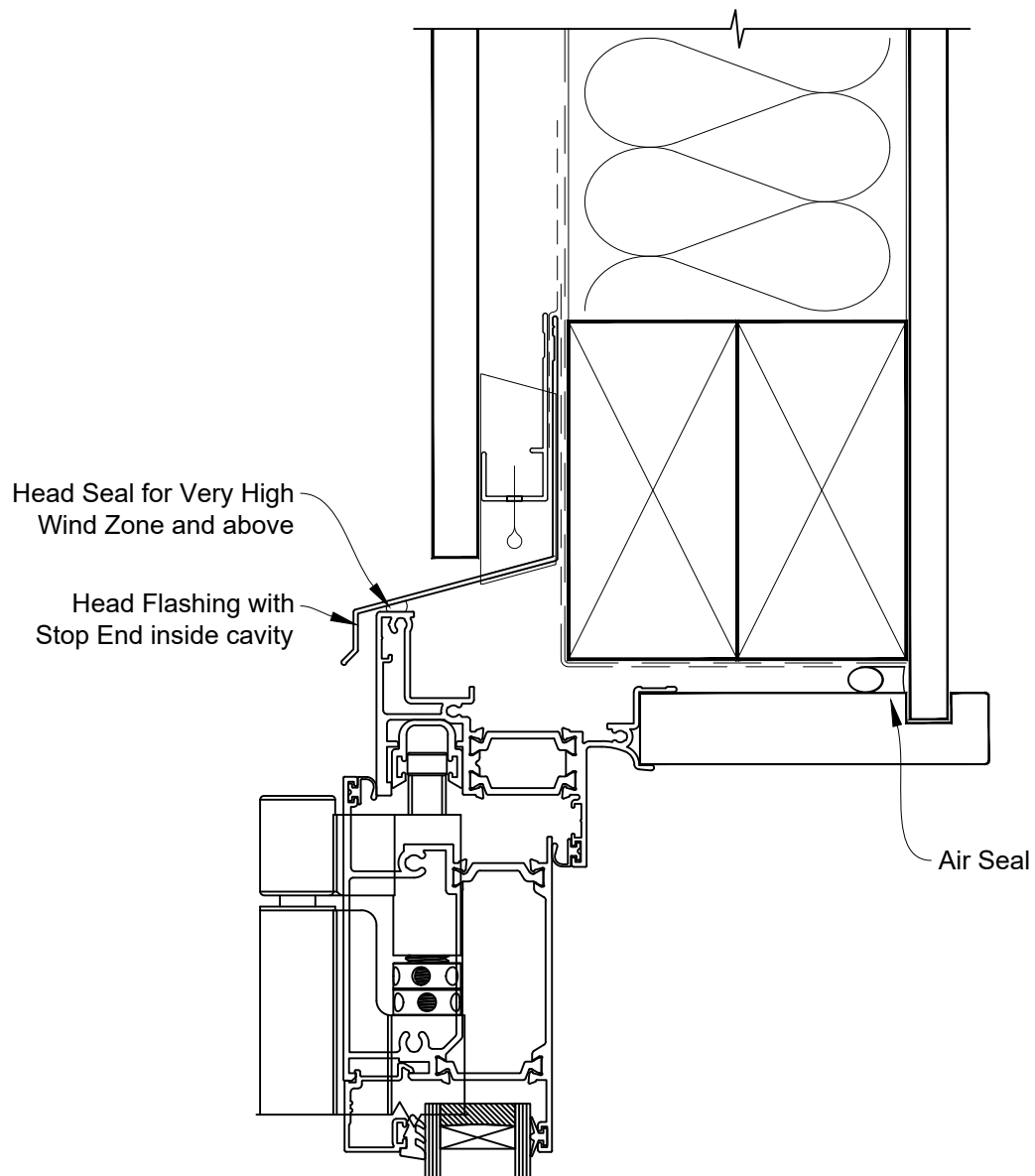


INSTALLATION DETAIL - RESIDENTIAL THERMAL HEART BIFOLD DOOR OPEN OUT ON FLAT SHEET CAVITY CONSTRUCTION

Date: 01.04.22

Scale: 1:2

CAD Ref.: TRBDFS-CH



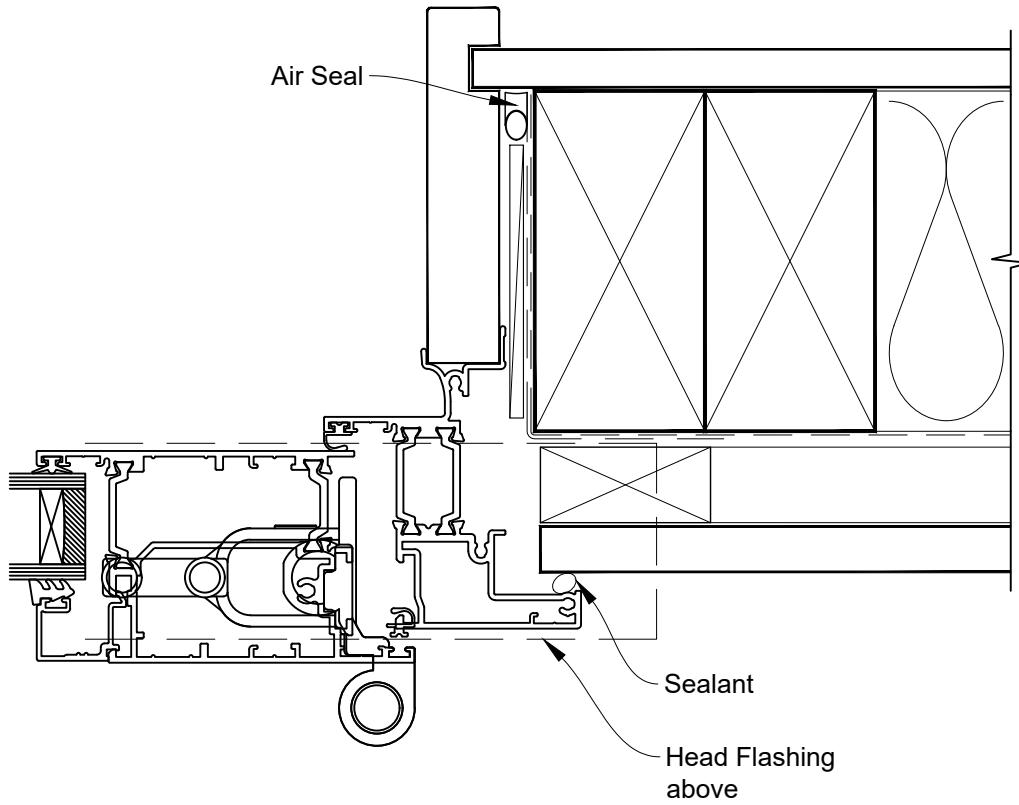


INSTALLATION DETAIL - RESIDENTIAL THERMAL HEART BIFOLD DOOR OPEN OUT ON FLAT SHEET CAVITY CONSTRUCTION

Date: 01.04.22

Scale: 1:2

CAD Ref.: TRBDFS-CJ



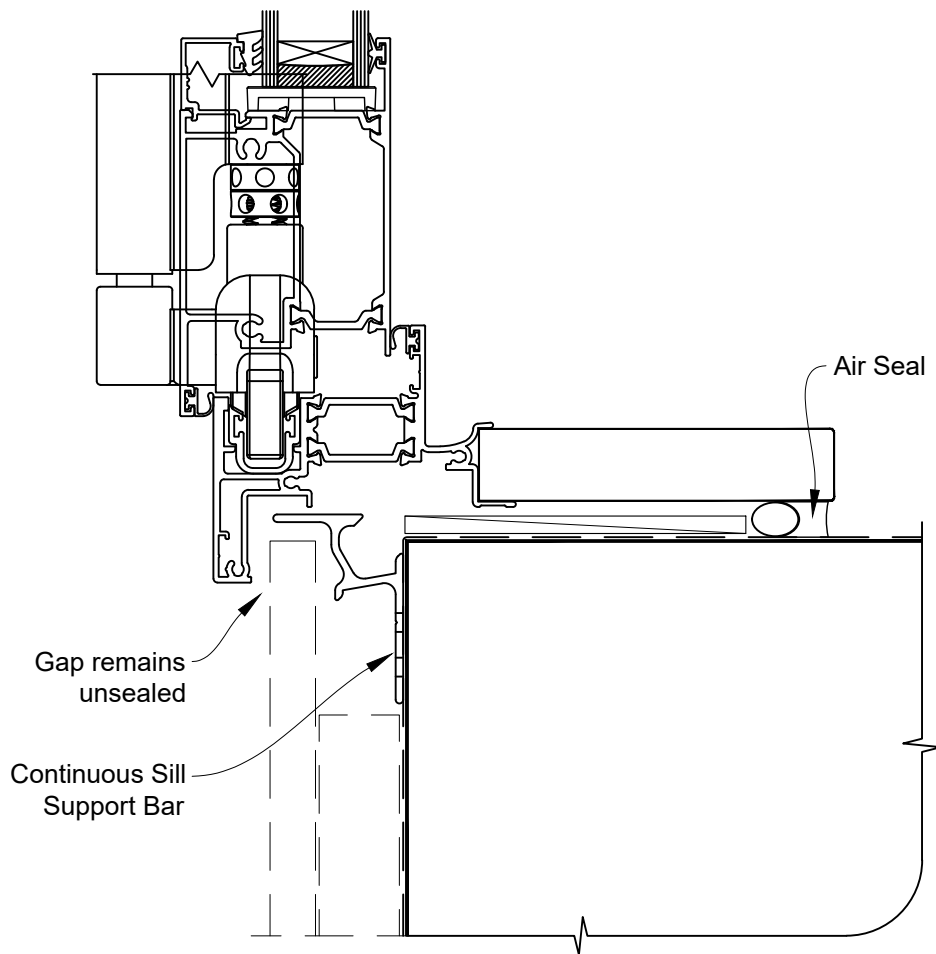


INSTALLATION DETAIL - RESIDENTIAL THERMAL HEART BIFOLD DOOR OPEN OUT ON FLAT SHEET CAVITY CONSTRUCTION

Date: 01.04.22

Scale: 1:2

CAD Ref.: TRBDFS-CS



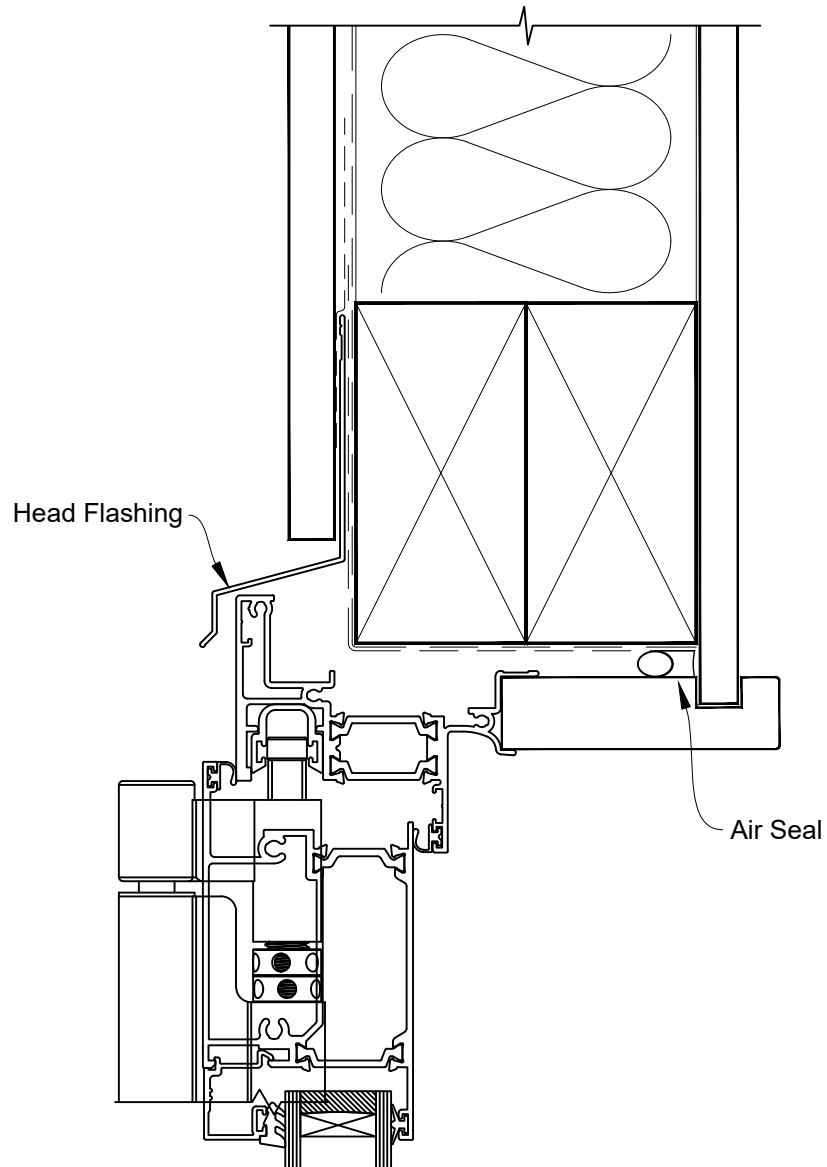


INSTALLATION DETAIL - RESIDENTIAL THERMAL HEART BIFOLD DOOR OPEN OUT ON FLAT SHEET DIRECT FIXED CLADDING

Date: 01.04.22

Scale: 1:2

CAD Ref.: TRBDFS-DH



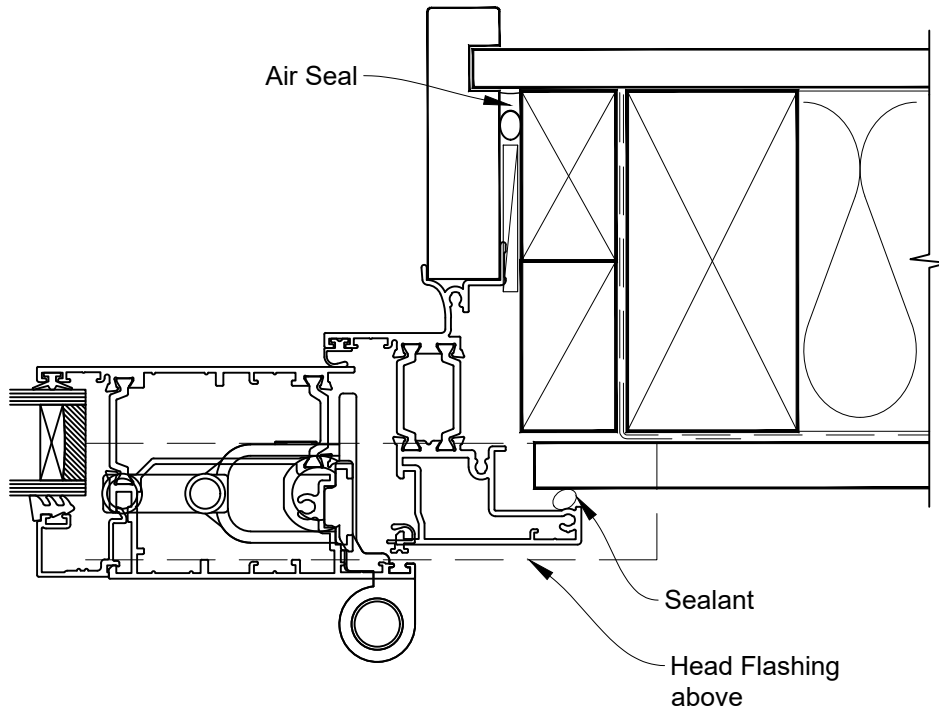


INSTALLATION DETAIL - RESIDENTIAL THERMAL HEART BIFOLD DOOR OPEN OUT ON FLAT SHEET DIRECT FIXED CLADDING

Date: 01.04.22

Scale: 1:2

CAD Ref.: TRBDFS-DJ





INSTALLATION DETAIL - RESIDENTIAL THERMAL HEART BIFOLD DOOR OPEN OUT ON FLAT SHEET DIRECT FIXED CLADDING

Date: 01.04.22

Scale: 1:2

CAD Ref.: TRBDFS-DS

