

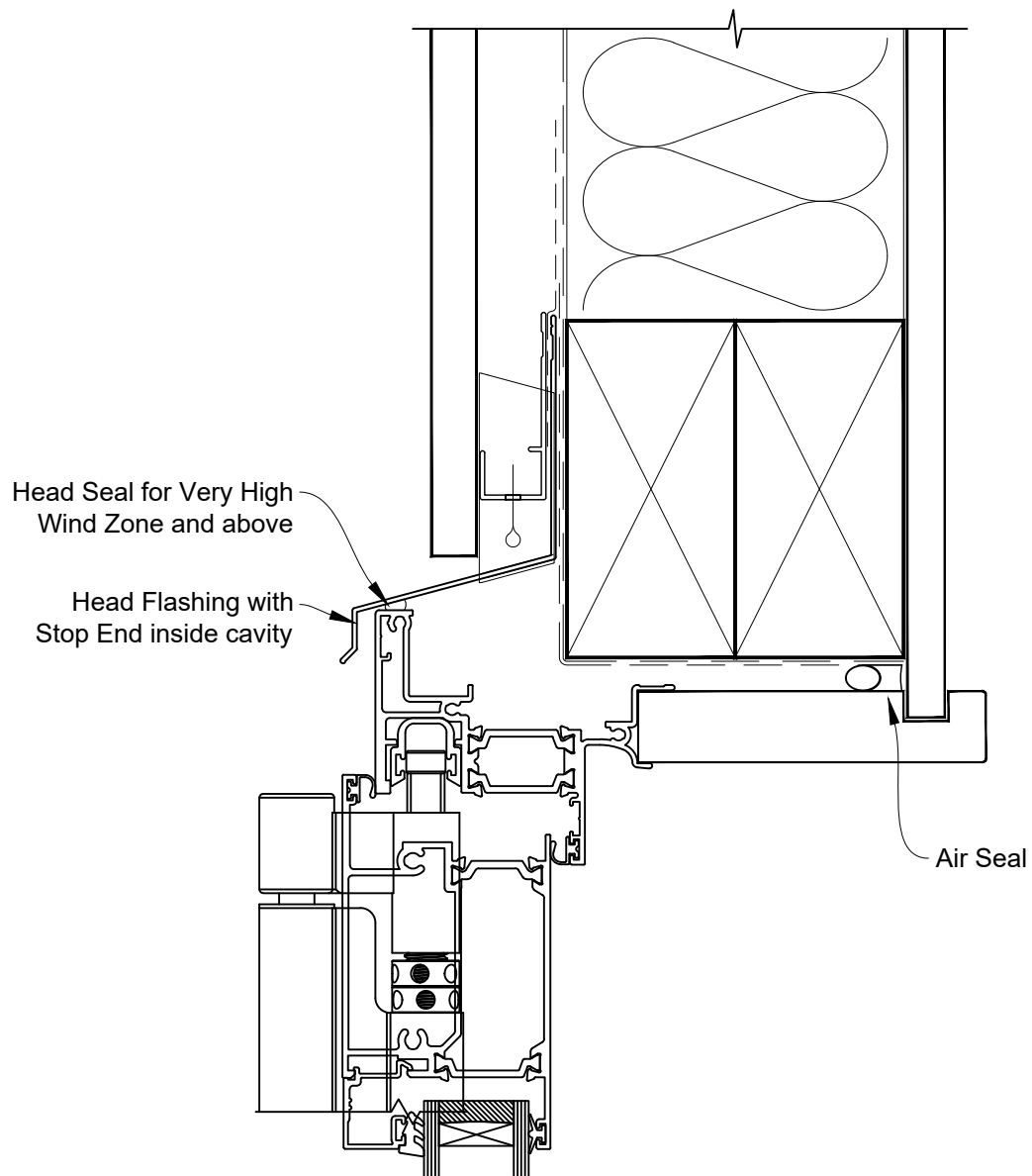


INSTALLATION DETAIL - RESIDENTIAL THERMAL HEART BIFOLD WINDOW OPEN OUT ON FLAT SHEET CAVITY CONSTRUCTION

Date: 01.04.22

Scale: 1:2

CAD Ref.: TRBWFS-CH



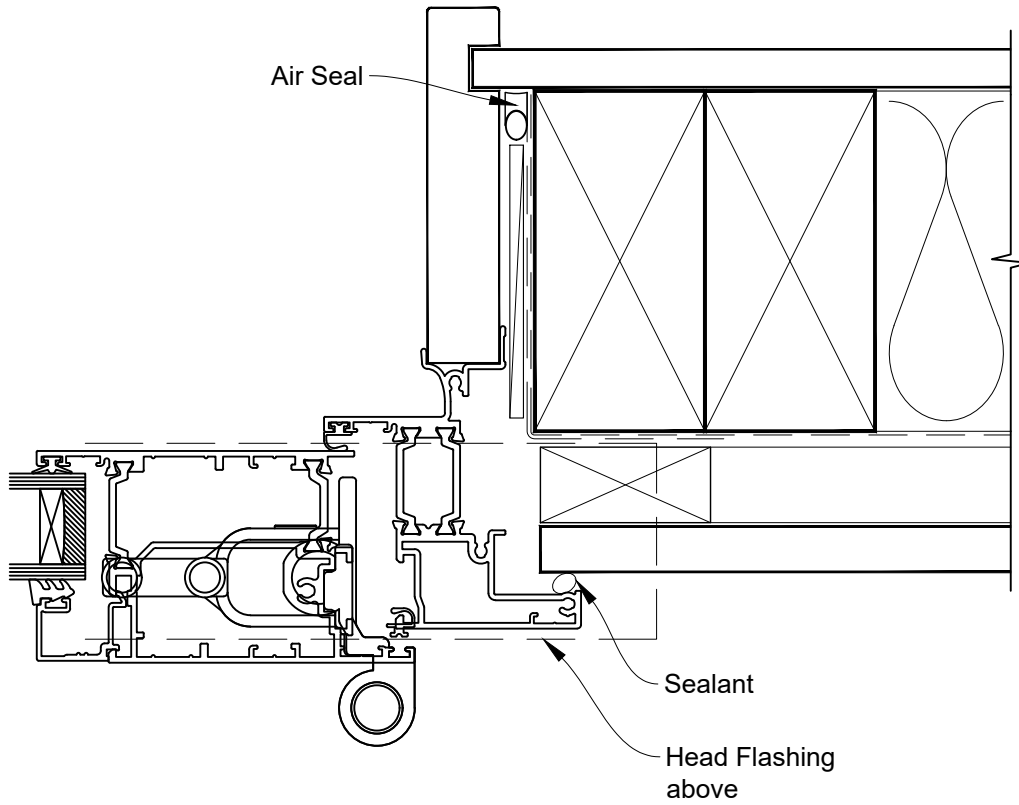


INSTALLATION DETAIL - RESIDENTIAL THERMAL HEART BIFOLD WINDOW OPEN OUT ON FLAT SHEET CAVITY CONSTRUCTION

Date: 01.04.22

Scale: 1:2

CAD Ref.: TRBWFS-CJ



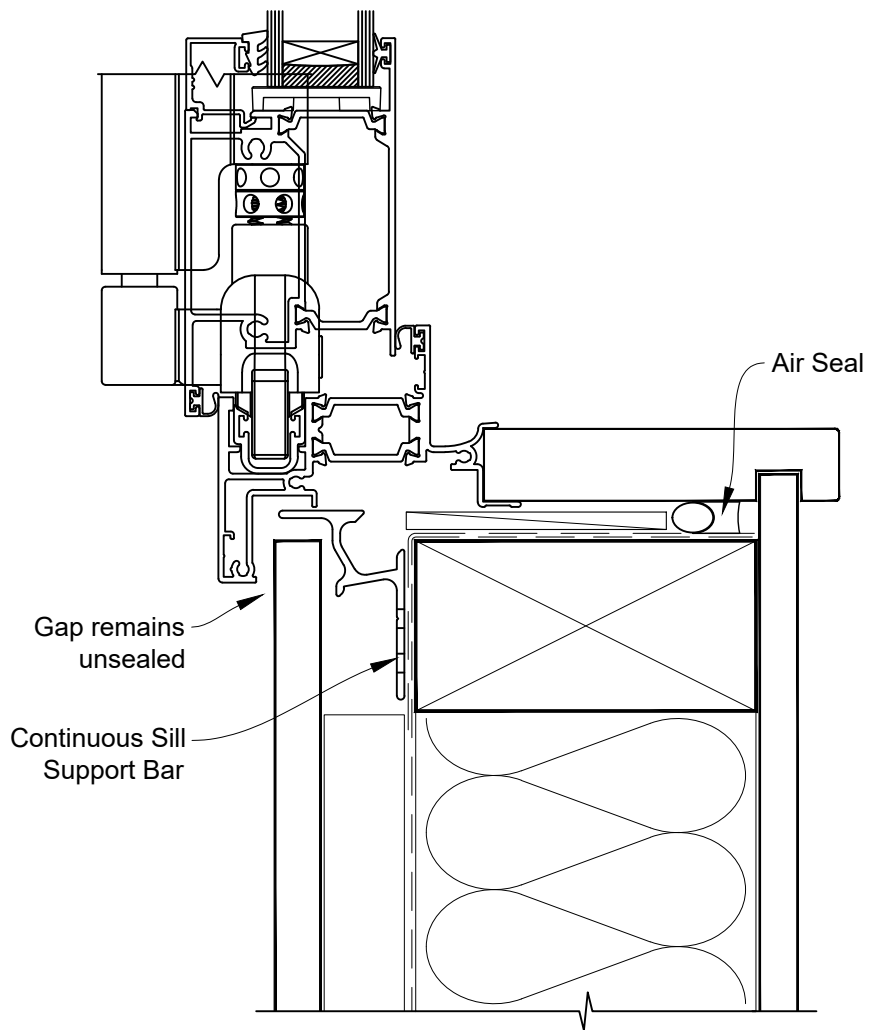


INSTALLATION DETAIL - RESIDENTIAL THERMAL HEART BIFOLD WINDOW OPEN OUT ON FLAT SHEET CAVITY CONSTRUCTION

Date: 01.04.22

Scale: 1:2

CAD Ref.: TRBWFS-CS



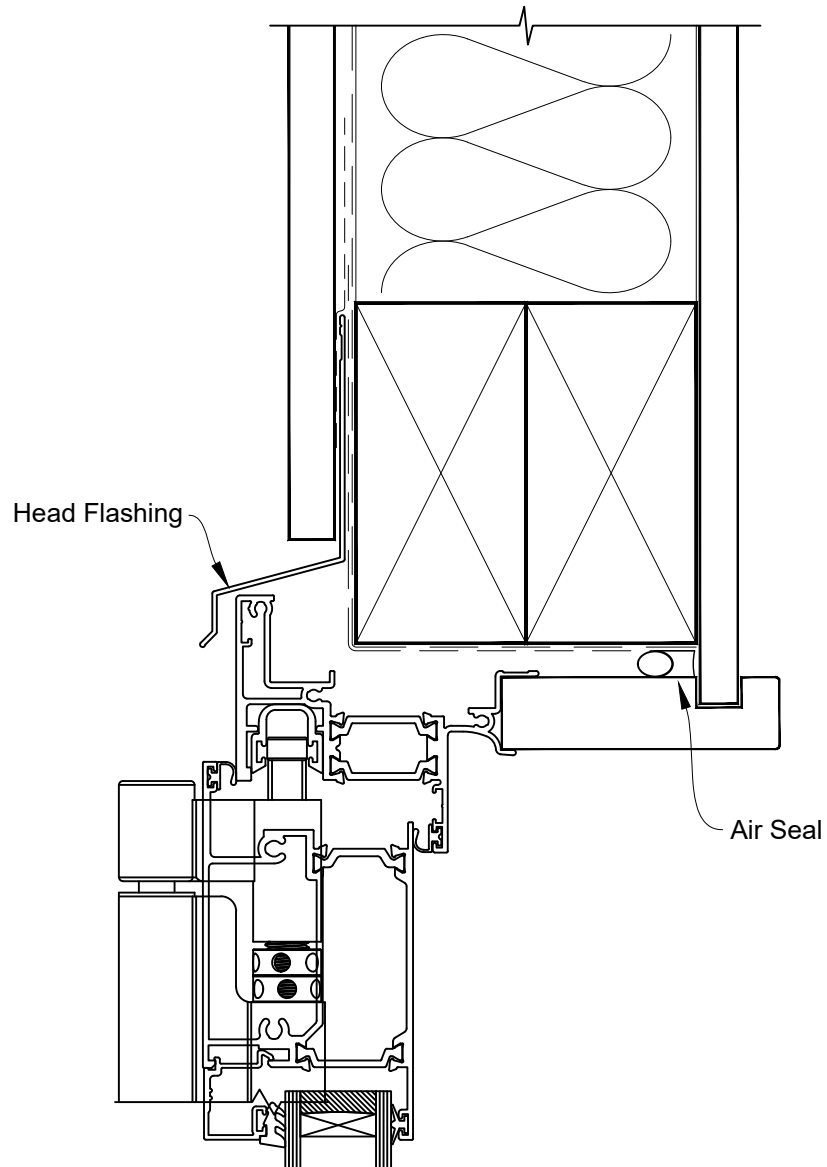


INSTALLATION DETAIL - RESIDENTIAL THERMAL HEART BIFOLD WINDOW OPEN OUT ON FLAT SHEET DIRECT FIXED CLADDING

Date: 01.04.22

Scale: 1:2

CAD Ref.: TRBWFS-DH



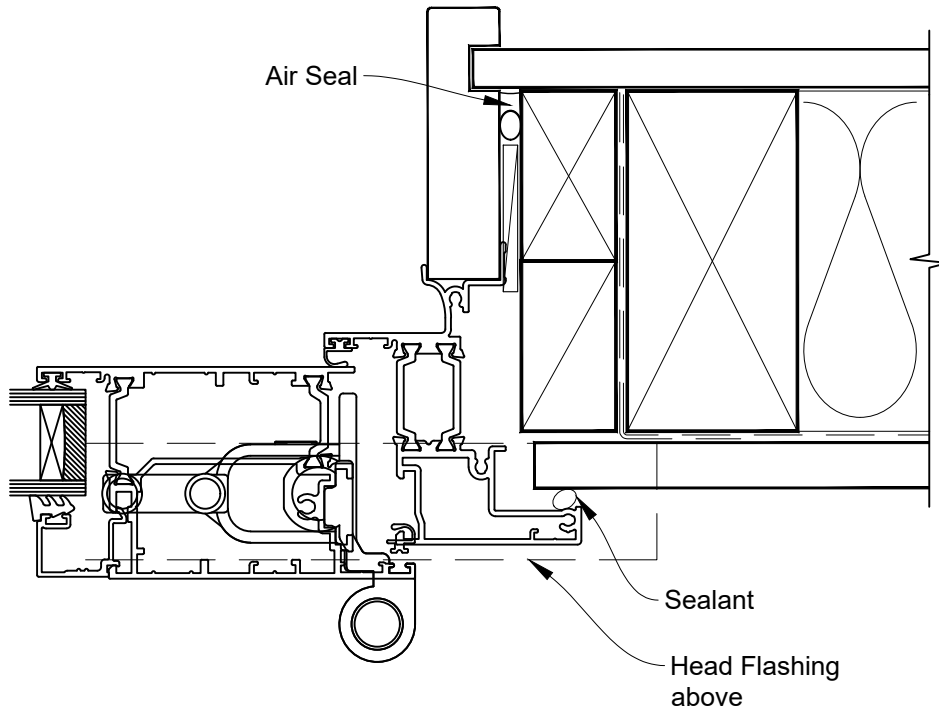


INSTALLATION DETAIL - RESIDENTIAL THERMAL HEART BIFOLD WINDOW OPEN OUT ON FLAT SHEET DIRECT FIXED CLADDING

Date: 01.04.22

Scale: 1:2

CAD Ref.: TRBWFS-DJ





INSTALLATION DETAIL - RESIDENTIAL THERMAL HEART BIFOLD WINDOW OPEN OUT ON FLAT SHEET DIRECT FIXED CLADDING

Date: 01.04.22

Scale: 1:2

CAD Ref.: TRBWFS-DS

