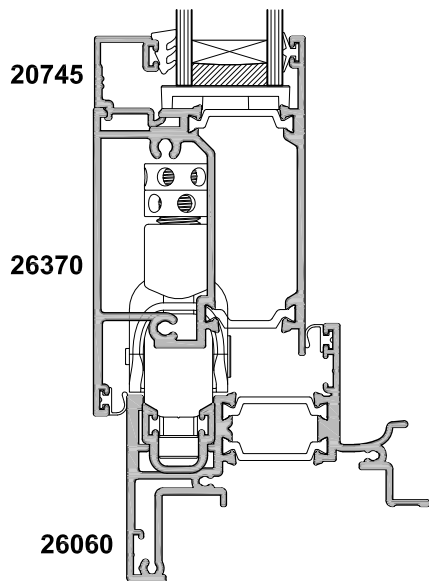
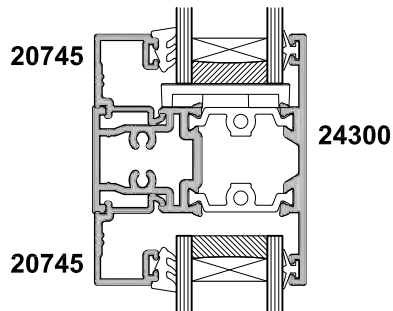
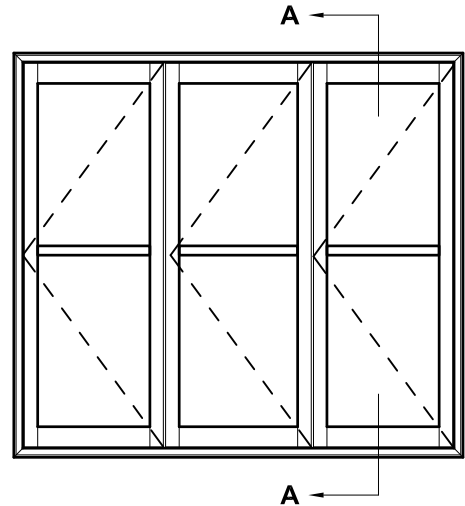
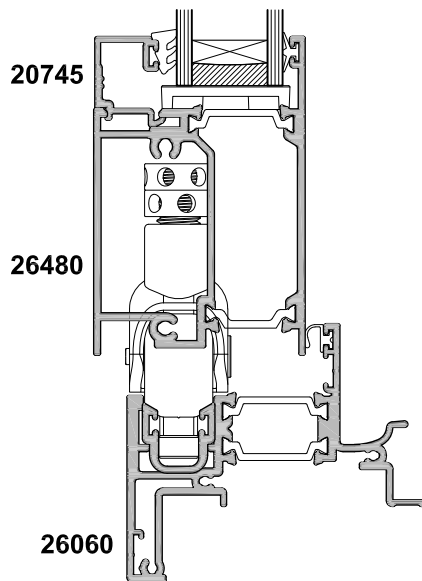


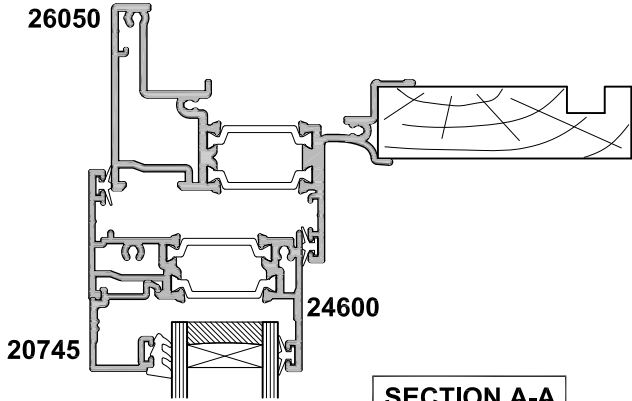
SECTION A-A



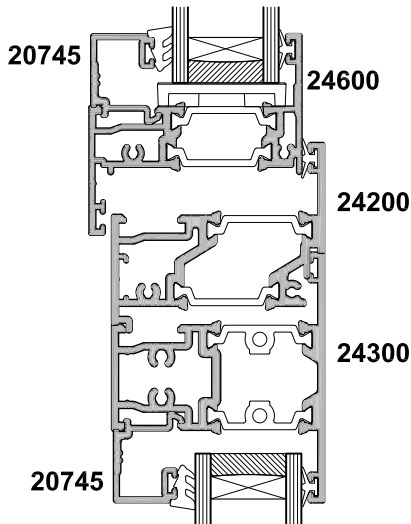
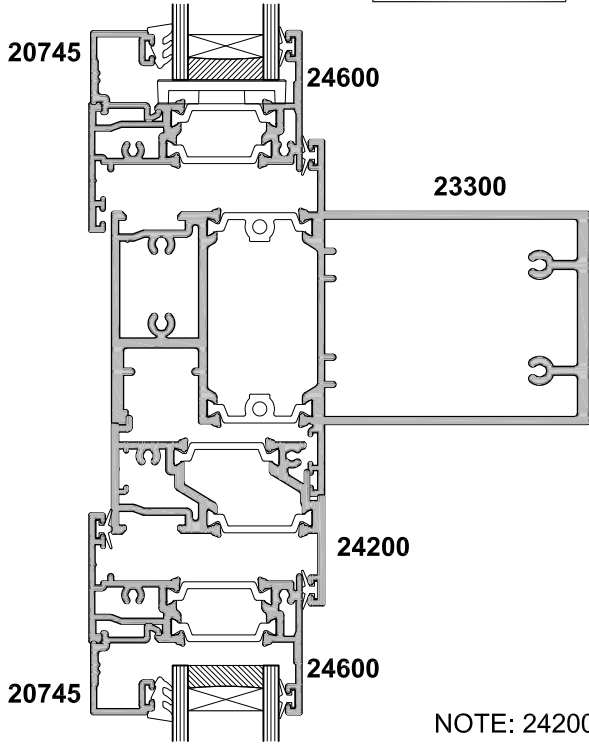
FLANGE RAIL OPTION



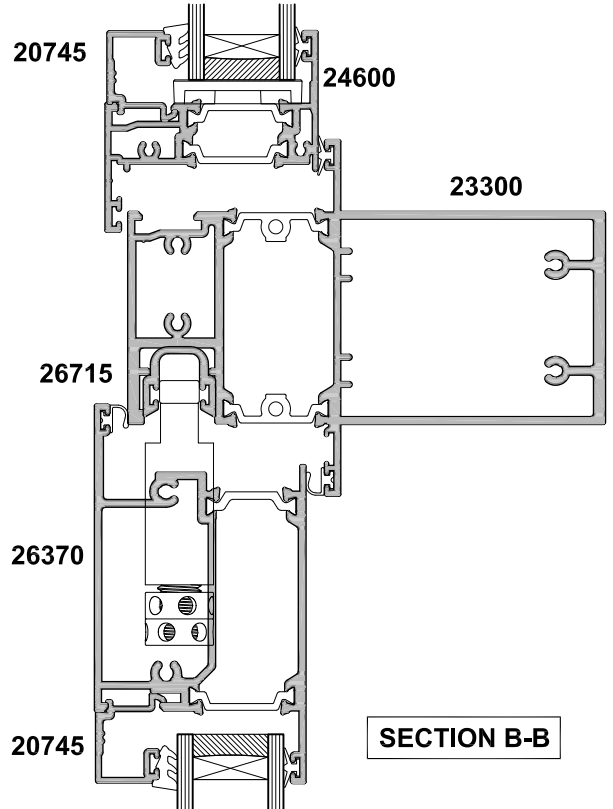
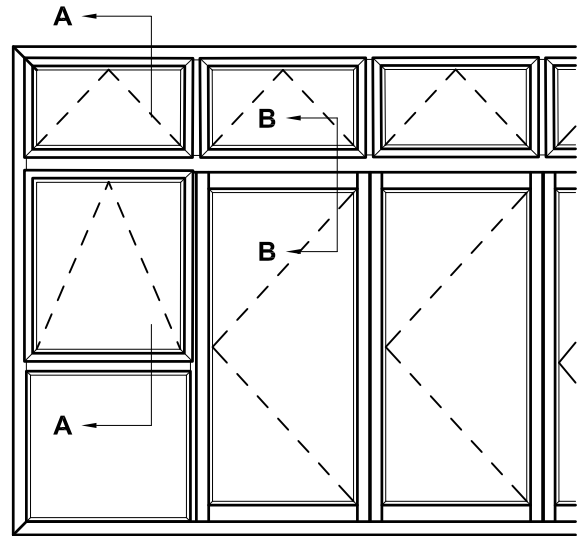
FLUSH RAIL OPTION



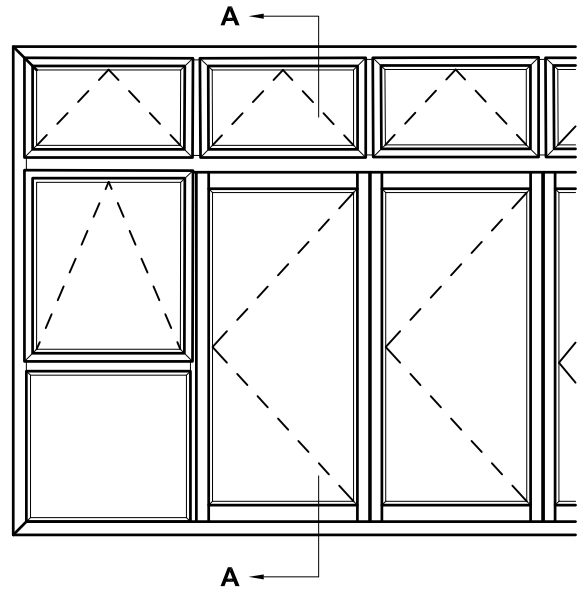
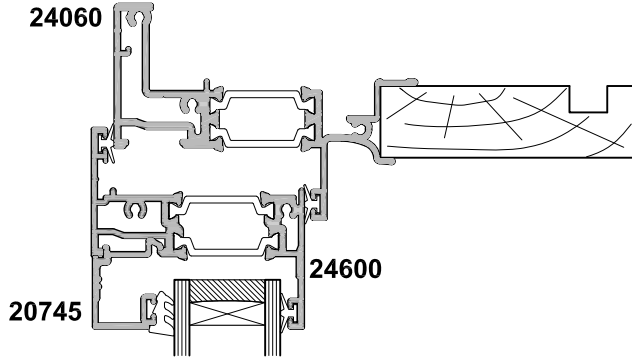
SECTION A-A



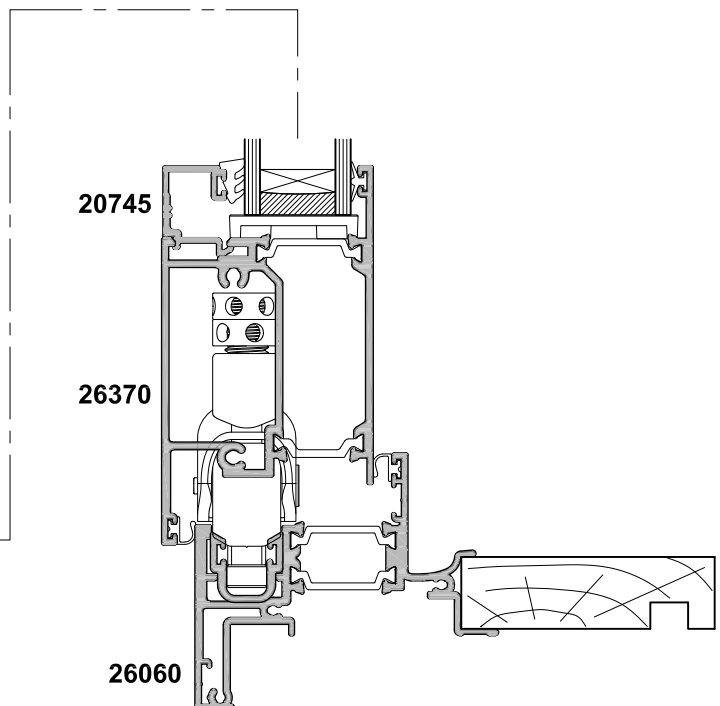
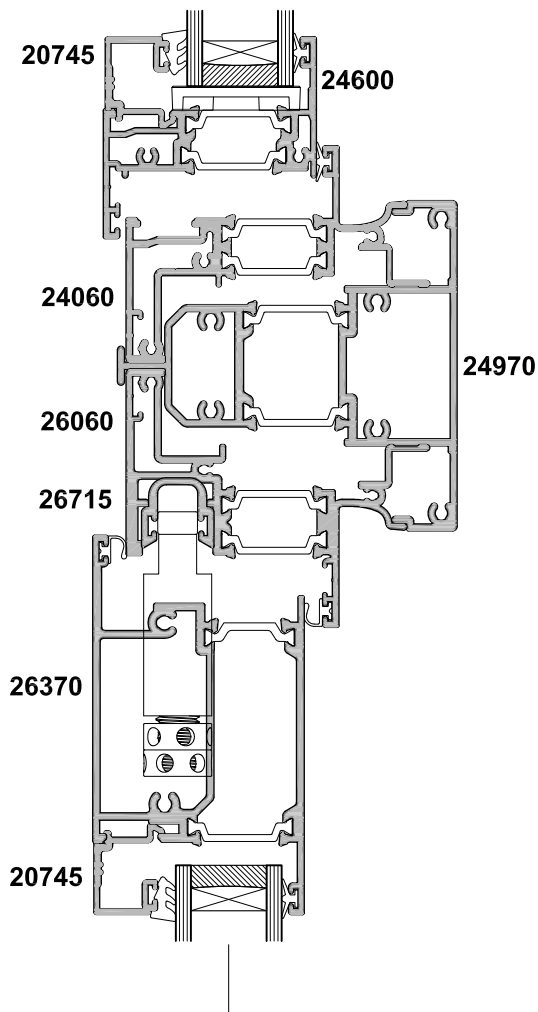
NOTE: 24200
Adaptor will be
required for a
casement sash

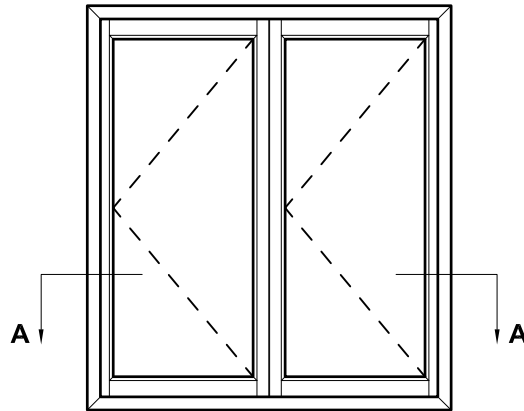


SECTION B-B

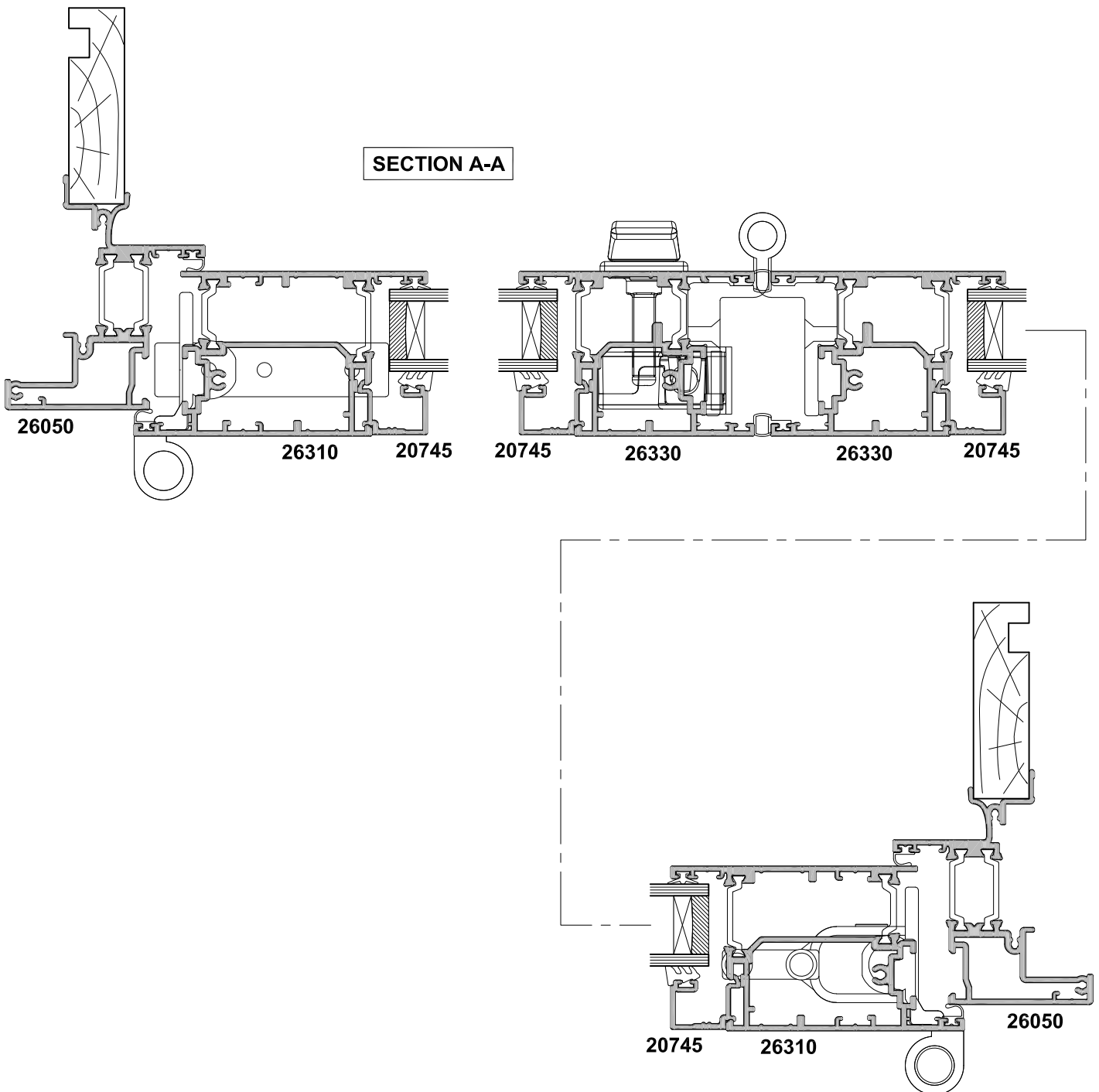


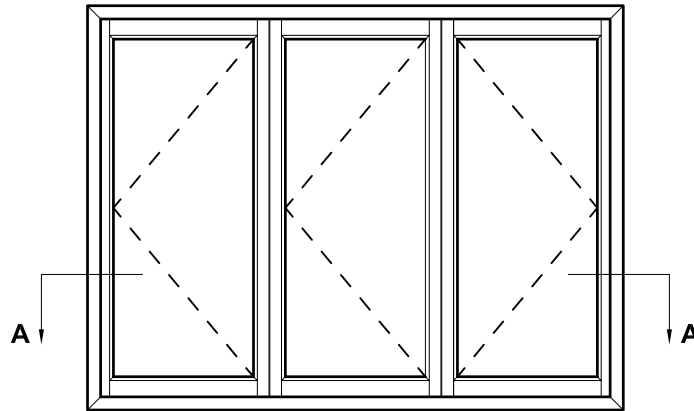
SECTION A-A



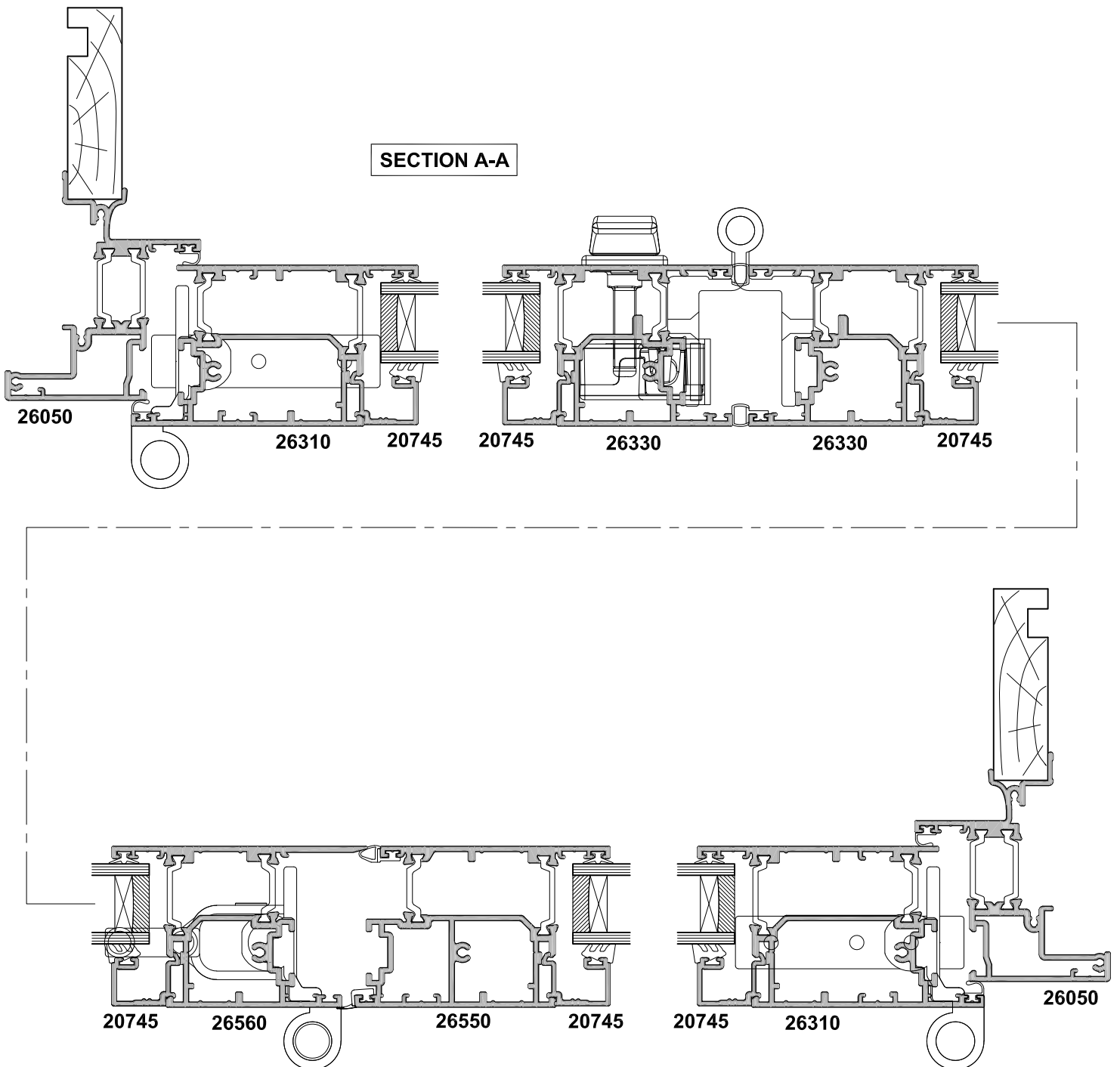


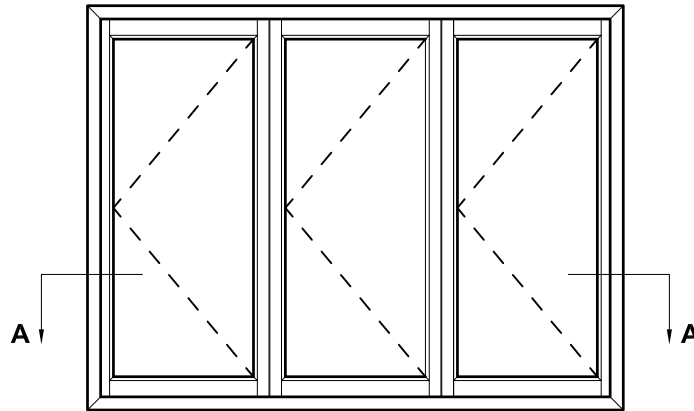
SECTION A-A



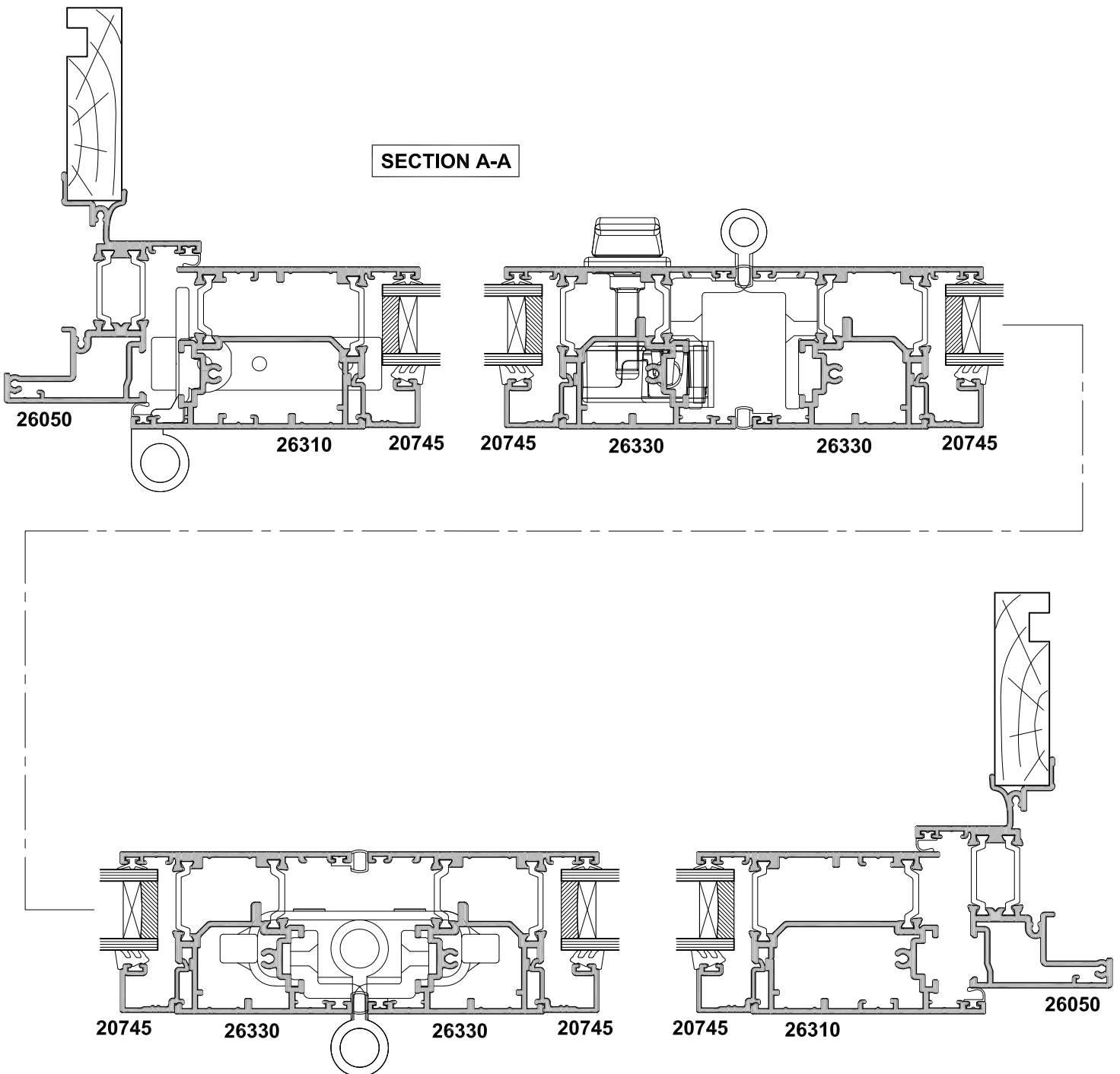


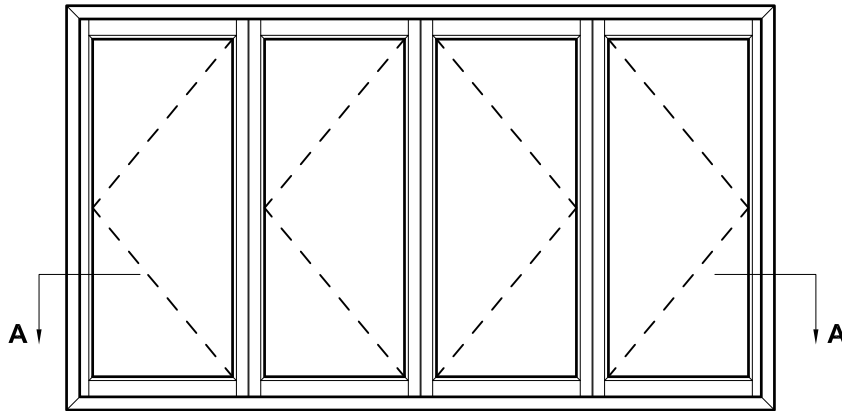
SECTION A-A



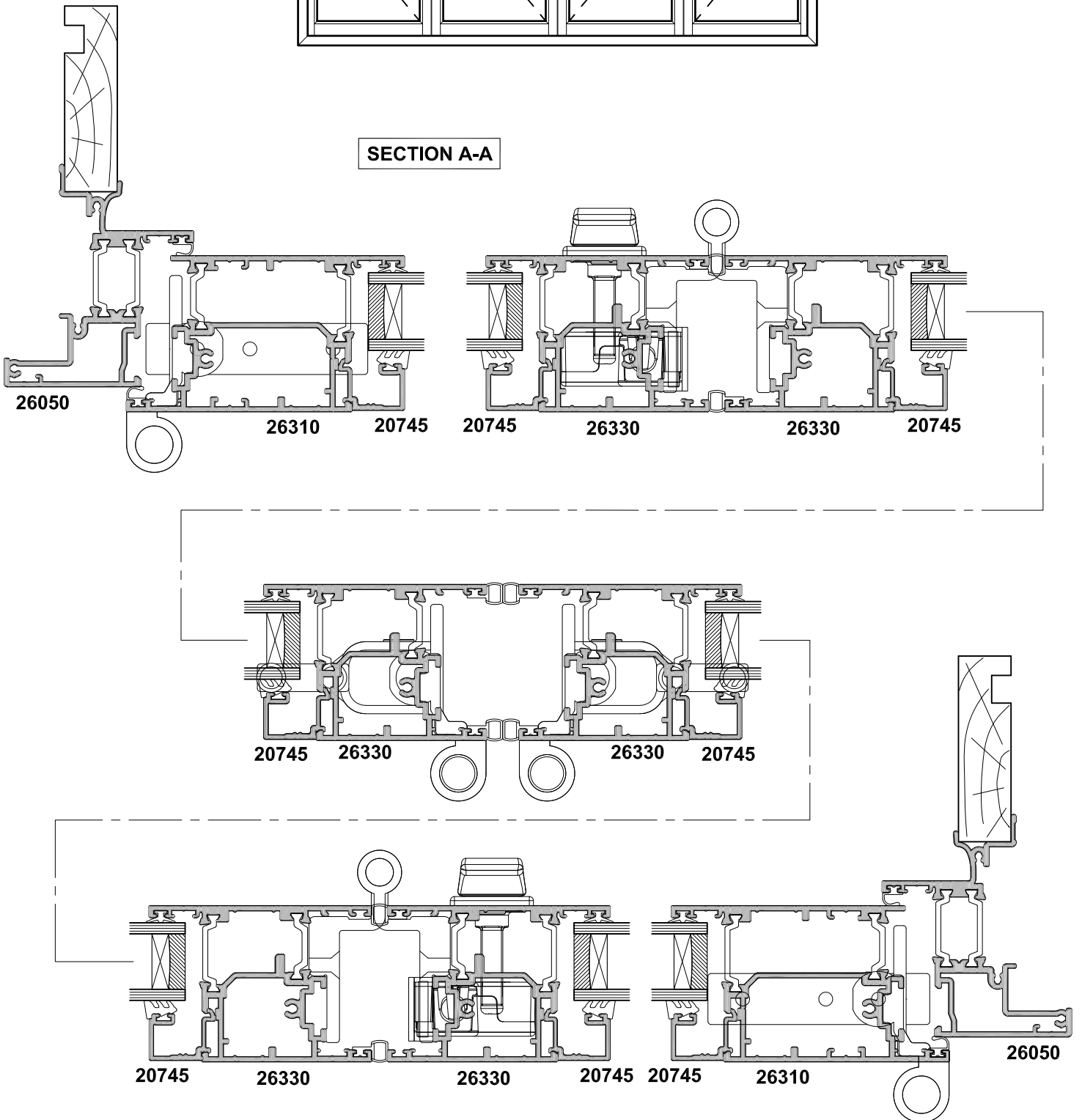


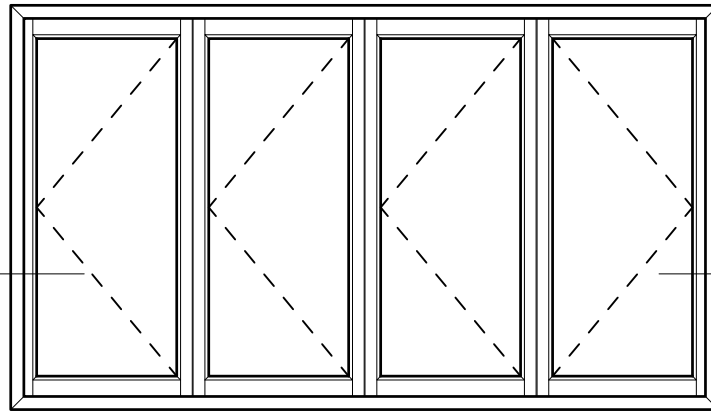
SECTION A-A



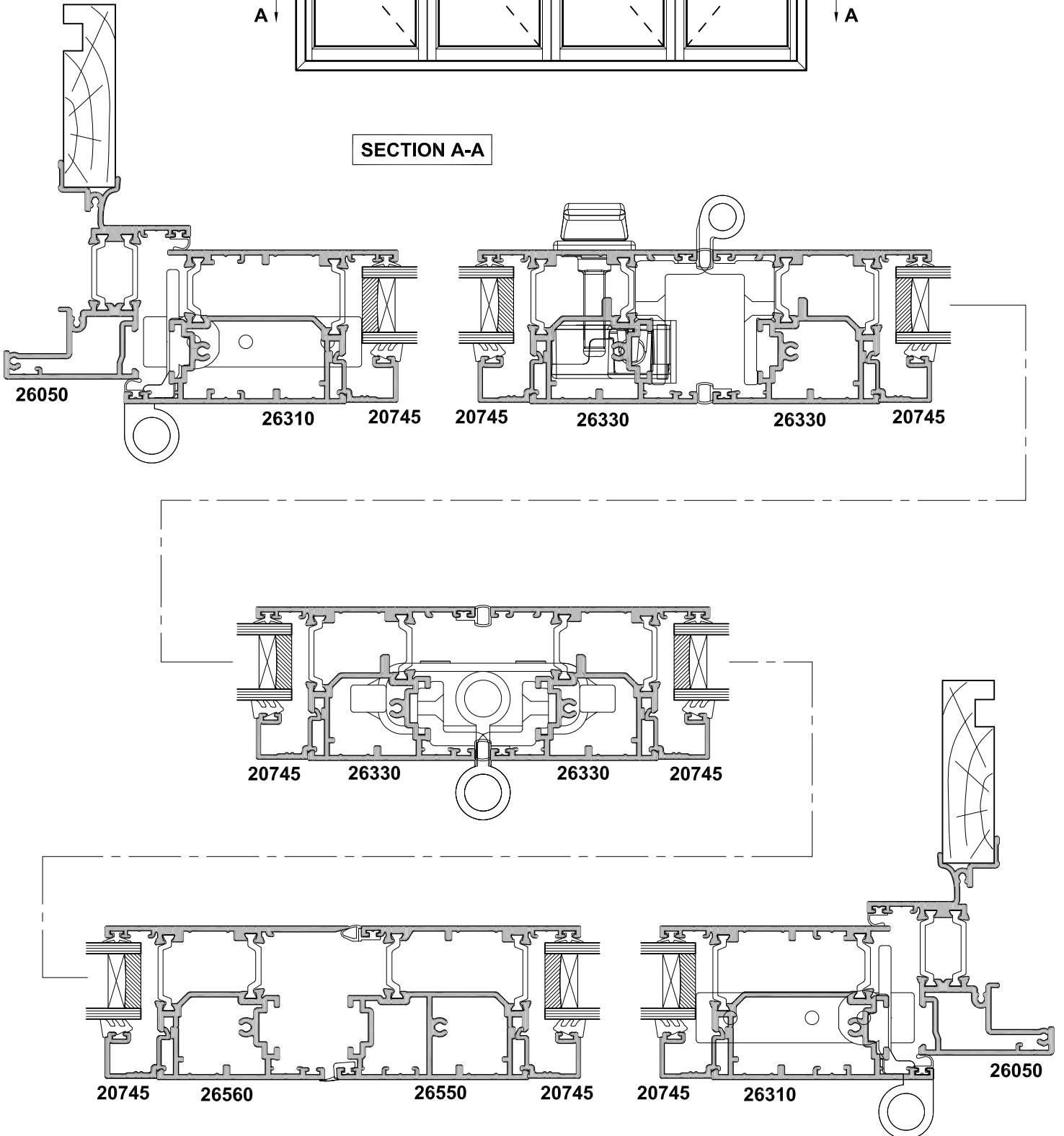


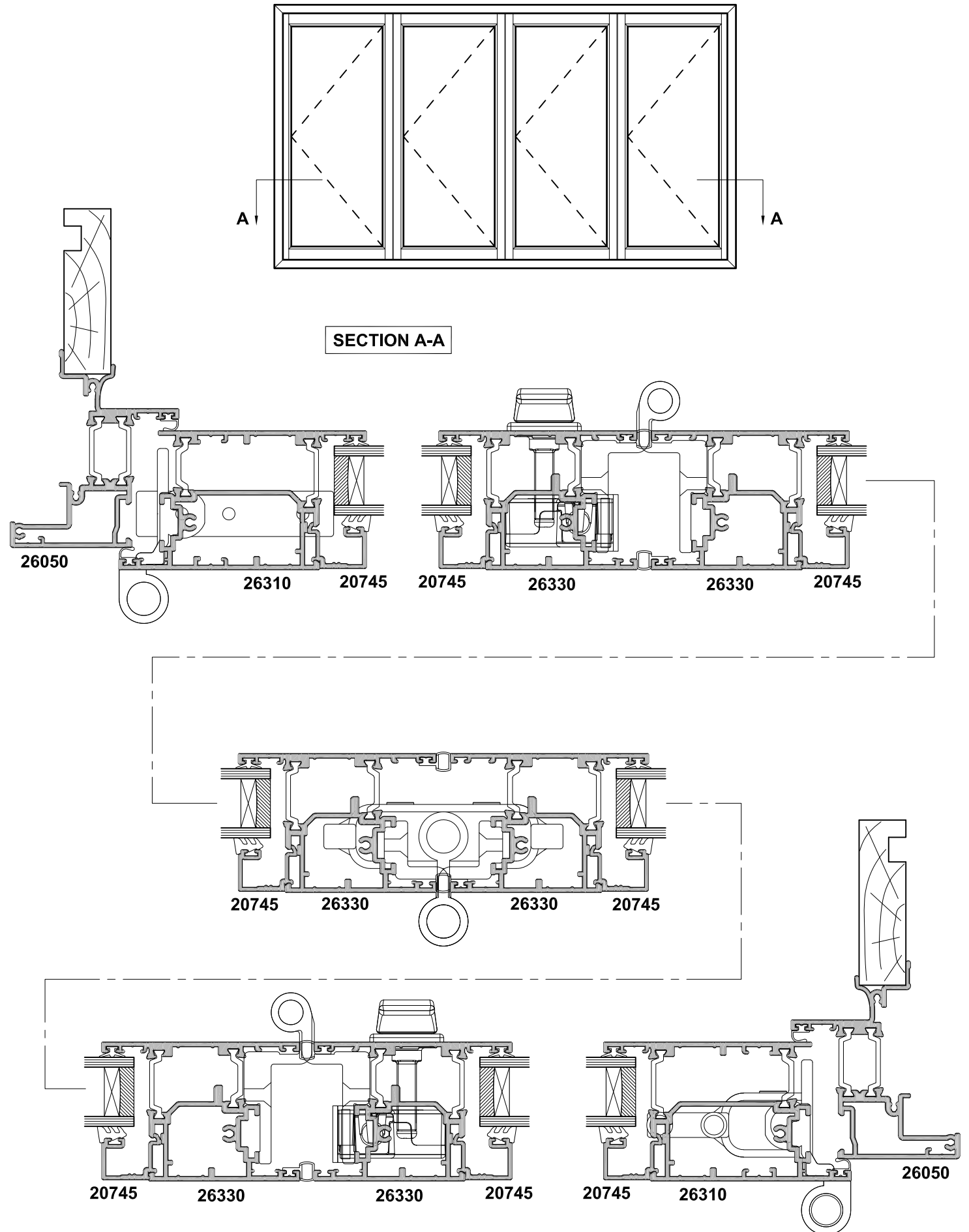
SECTION A-A

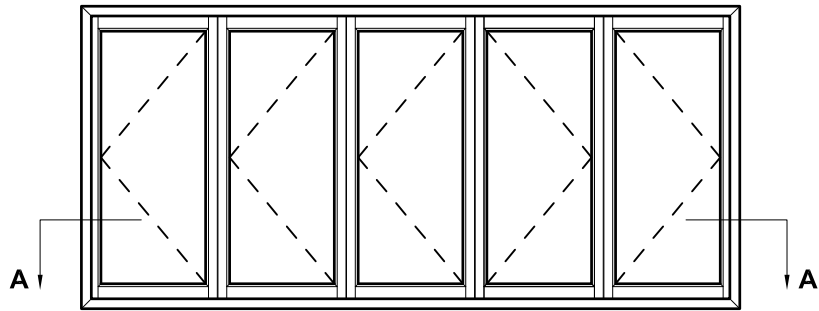




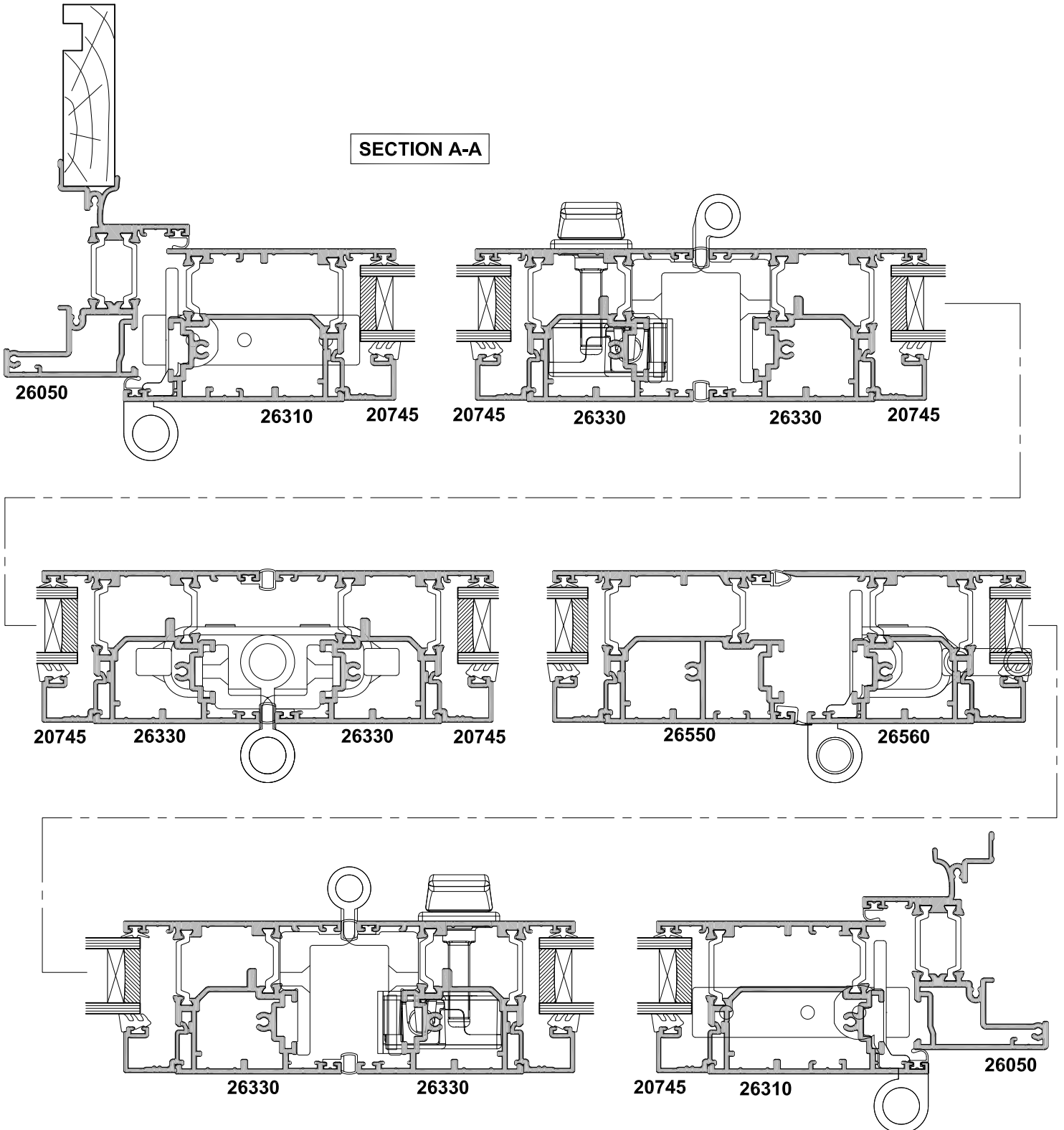
SECTION A-A

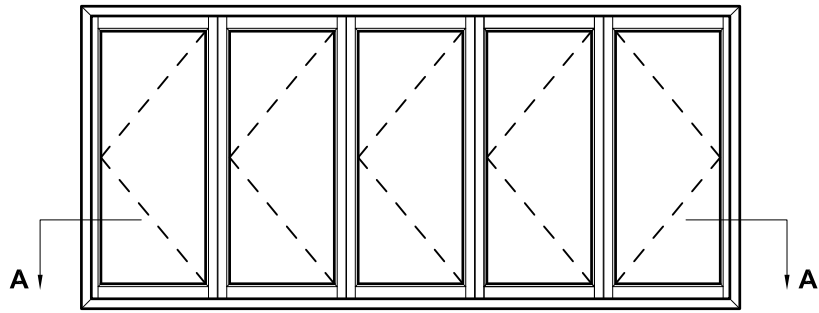




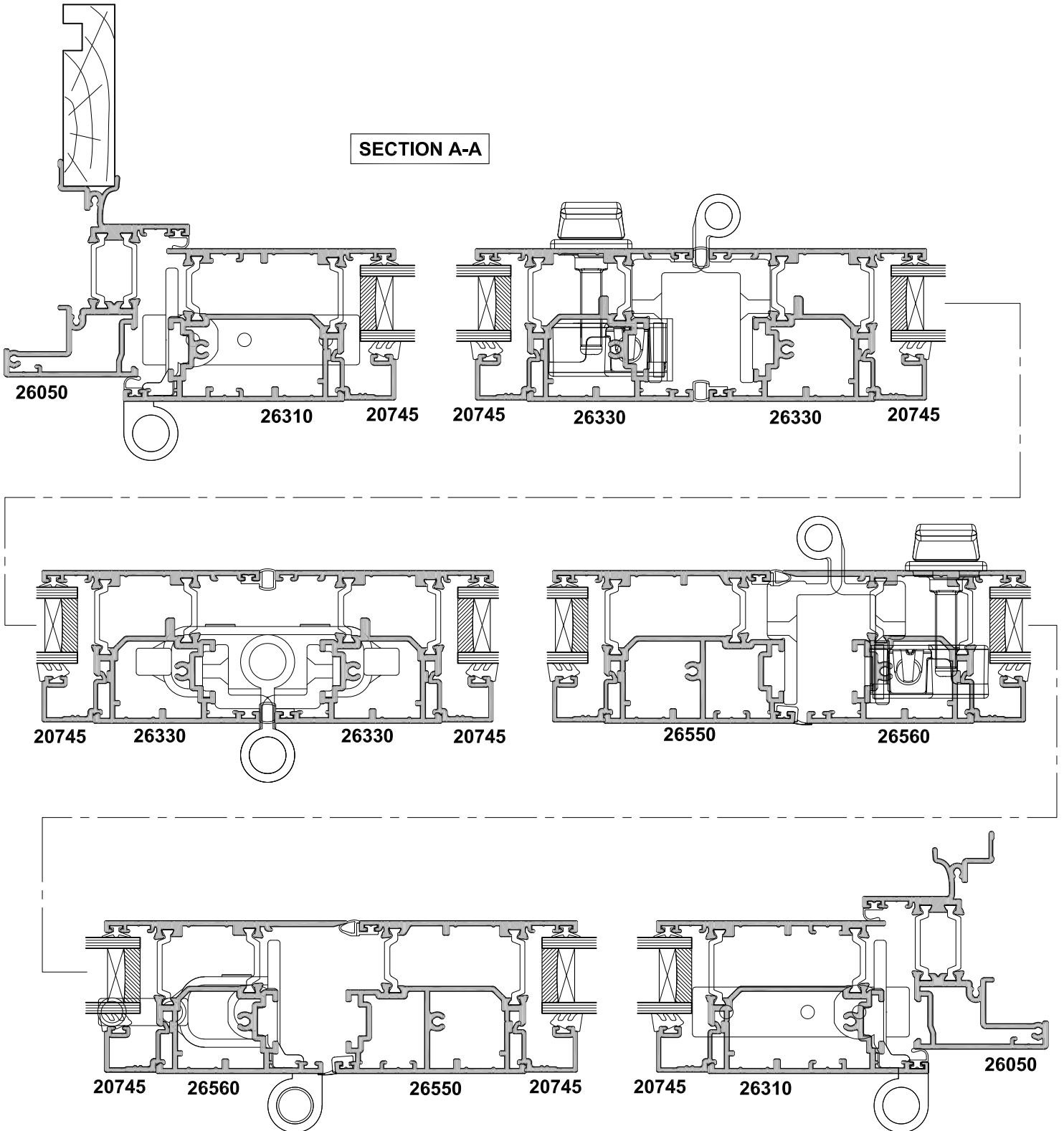


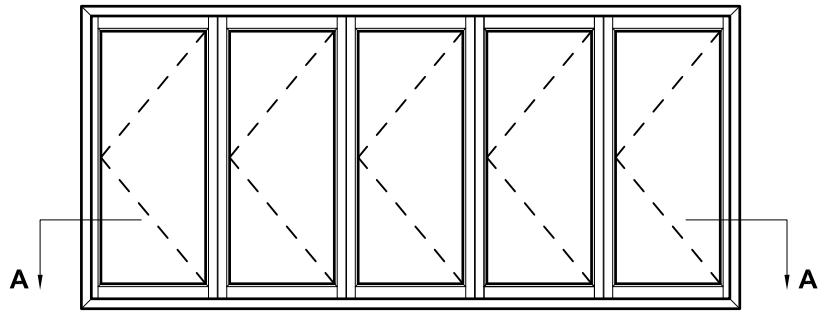
SECTION A-A



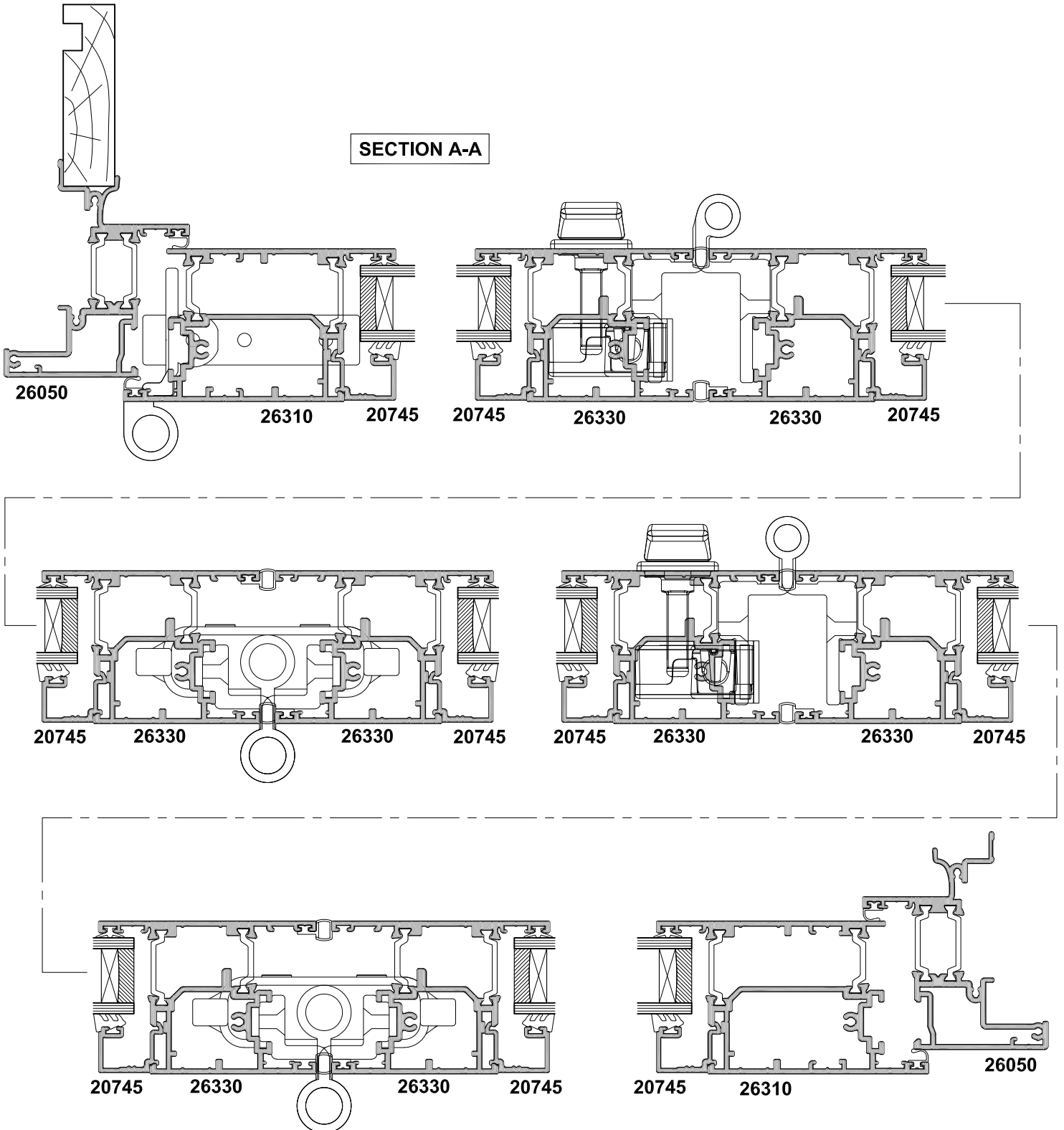


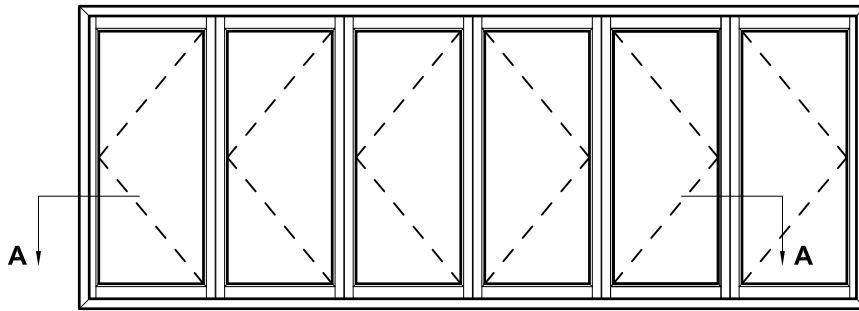
SECTION A-A



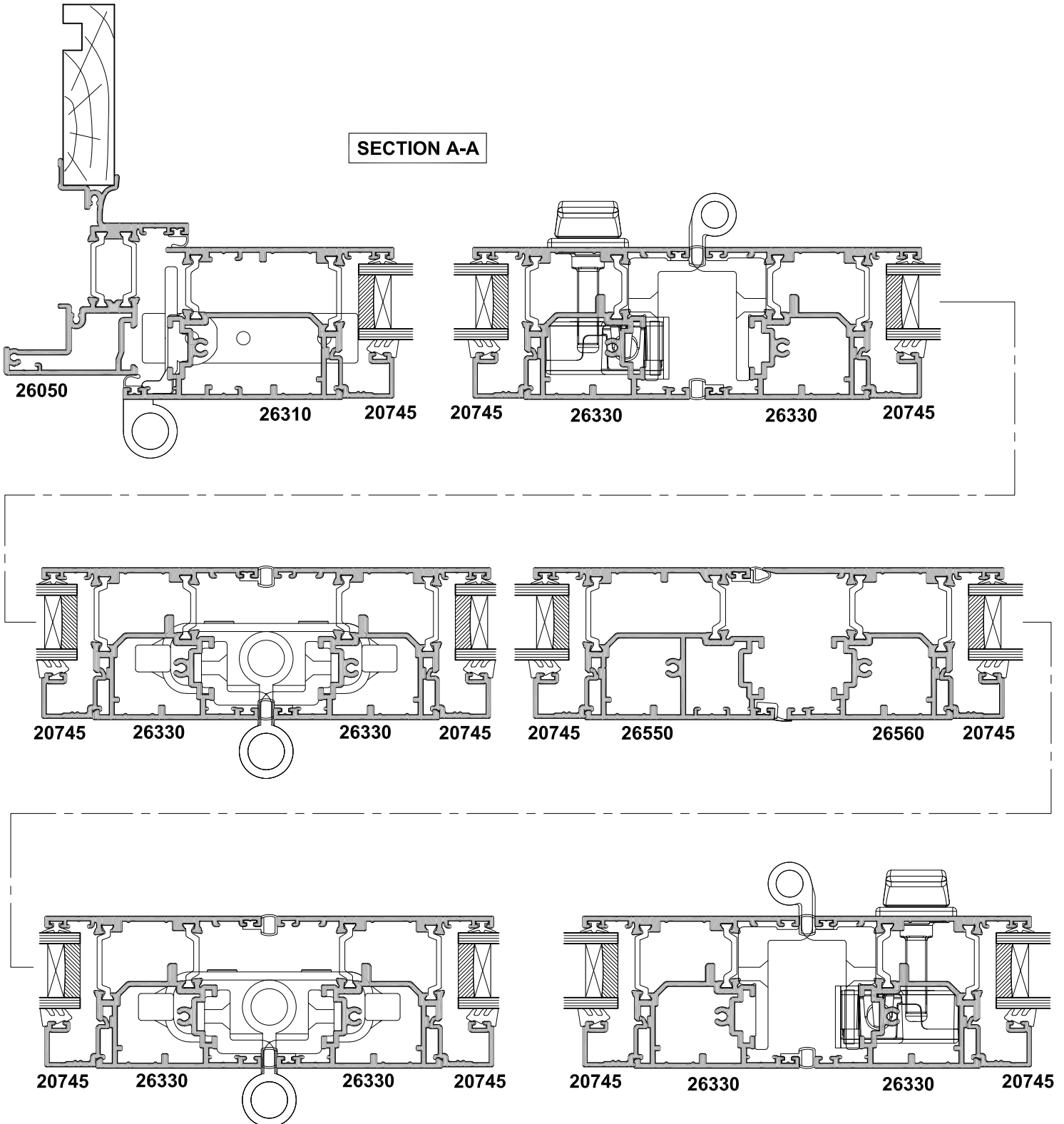


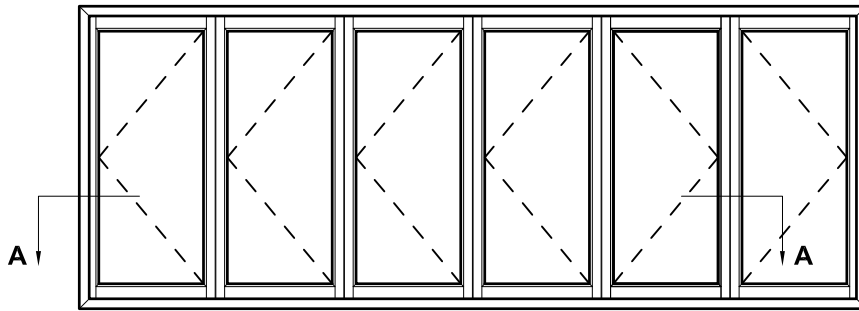
SECTION A-A



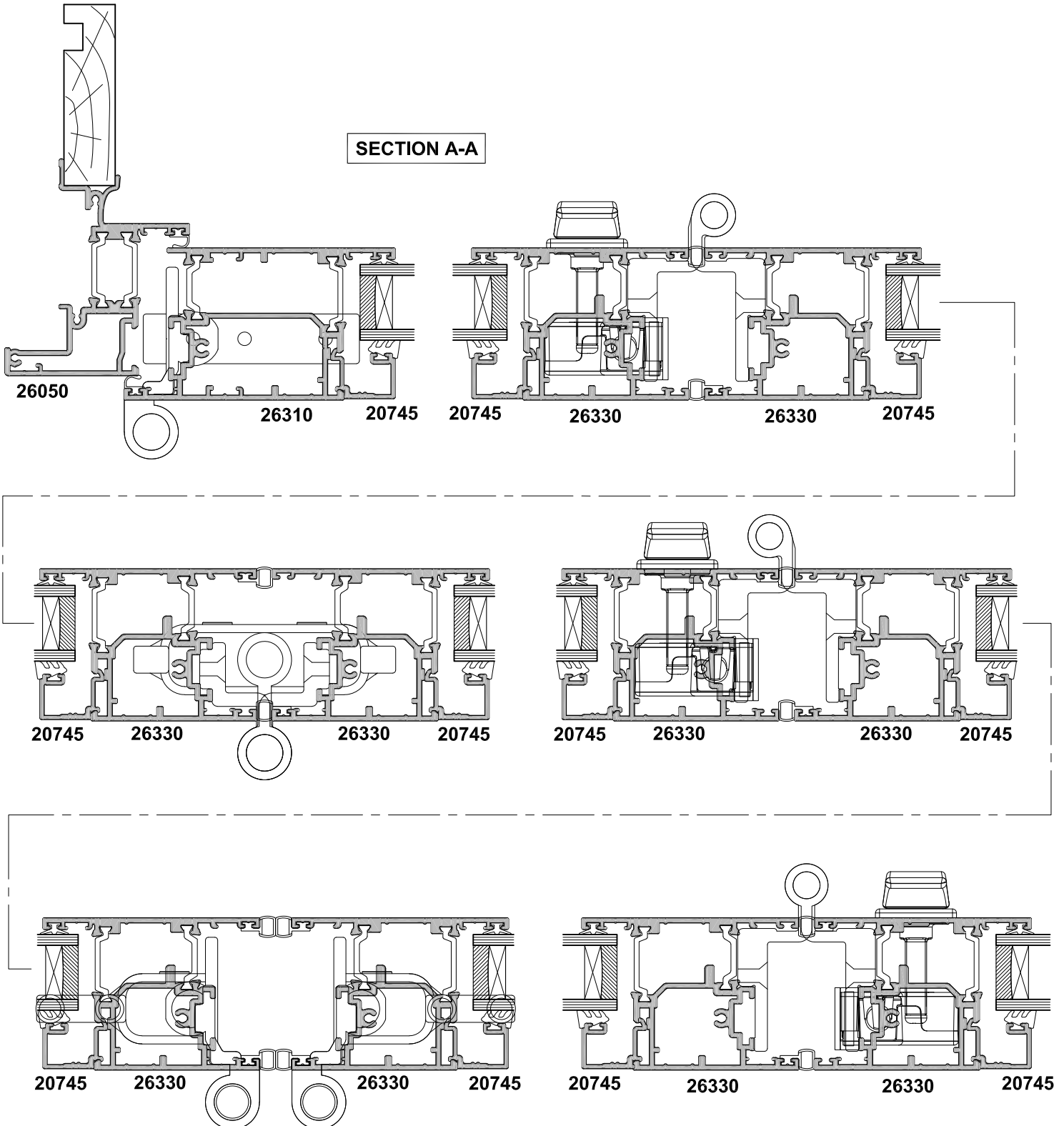


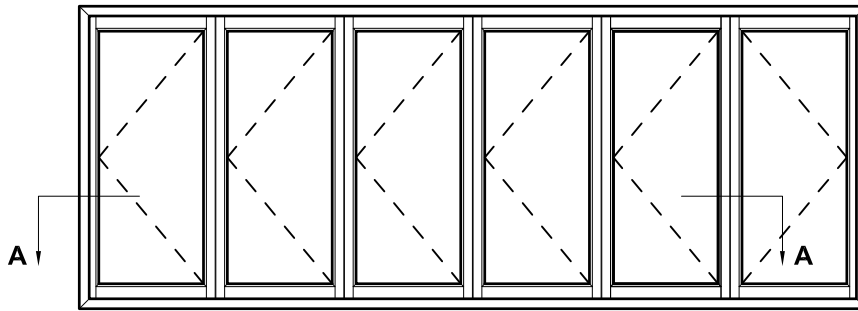
SECTION A-A



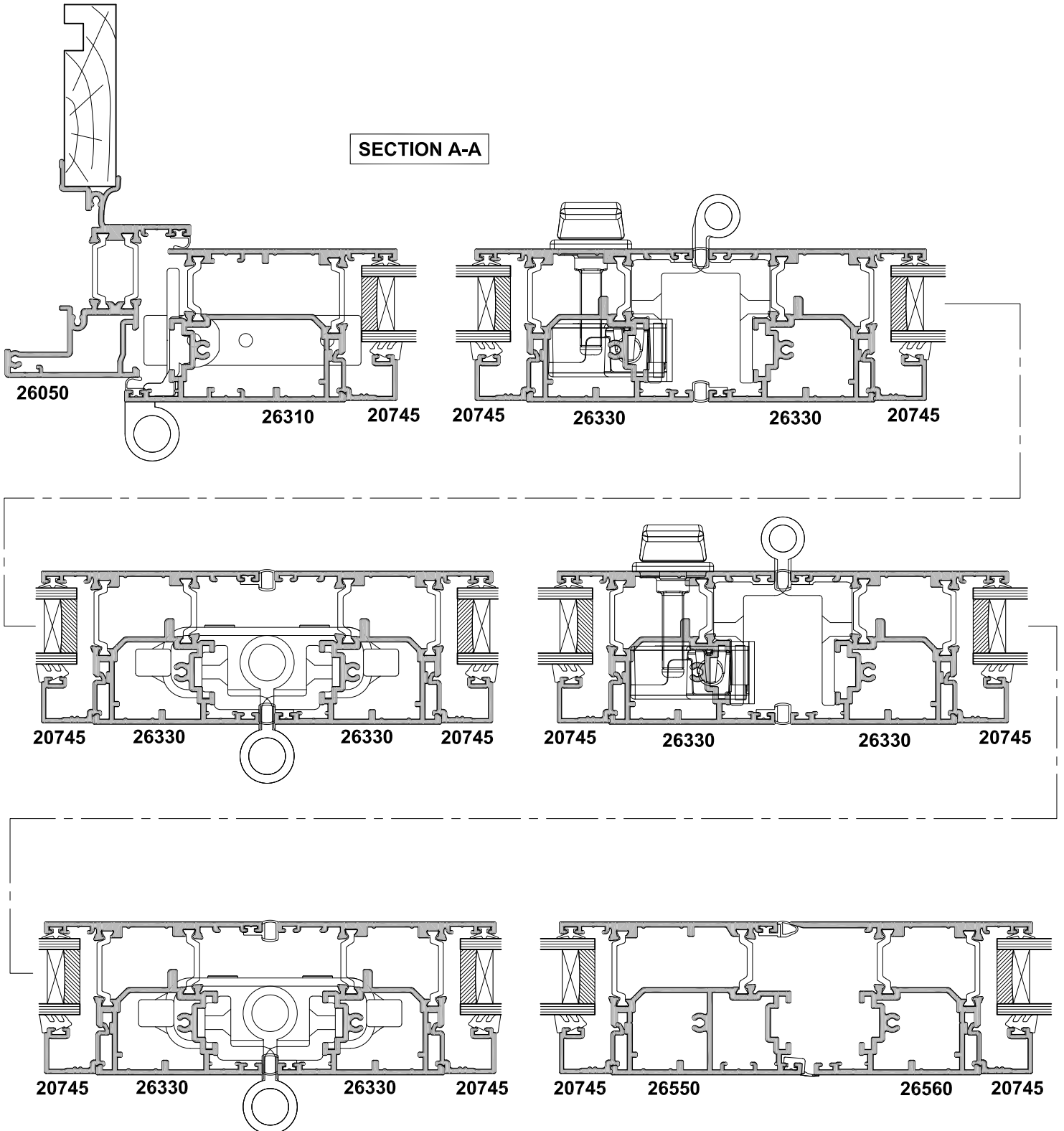


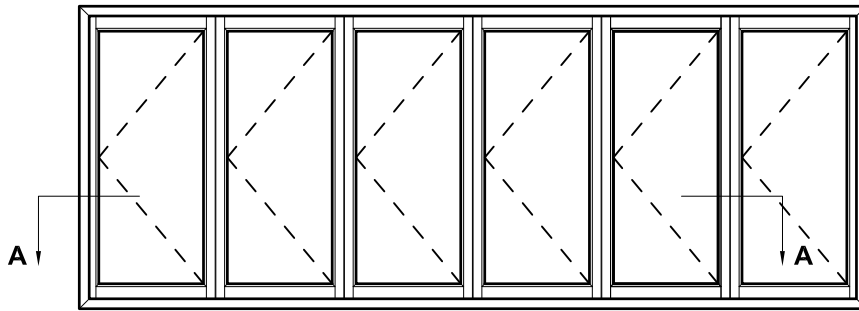
SECTION A-A





SECTION A-A





SECTION A-A

