

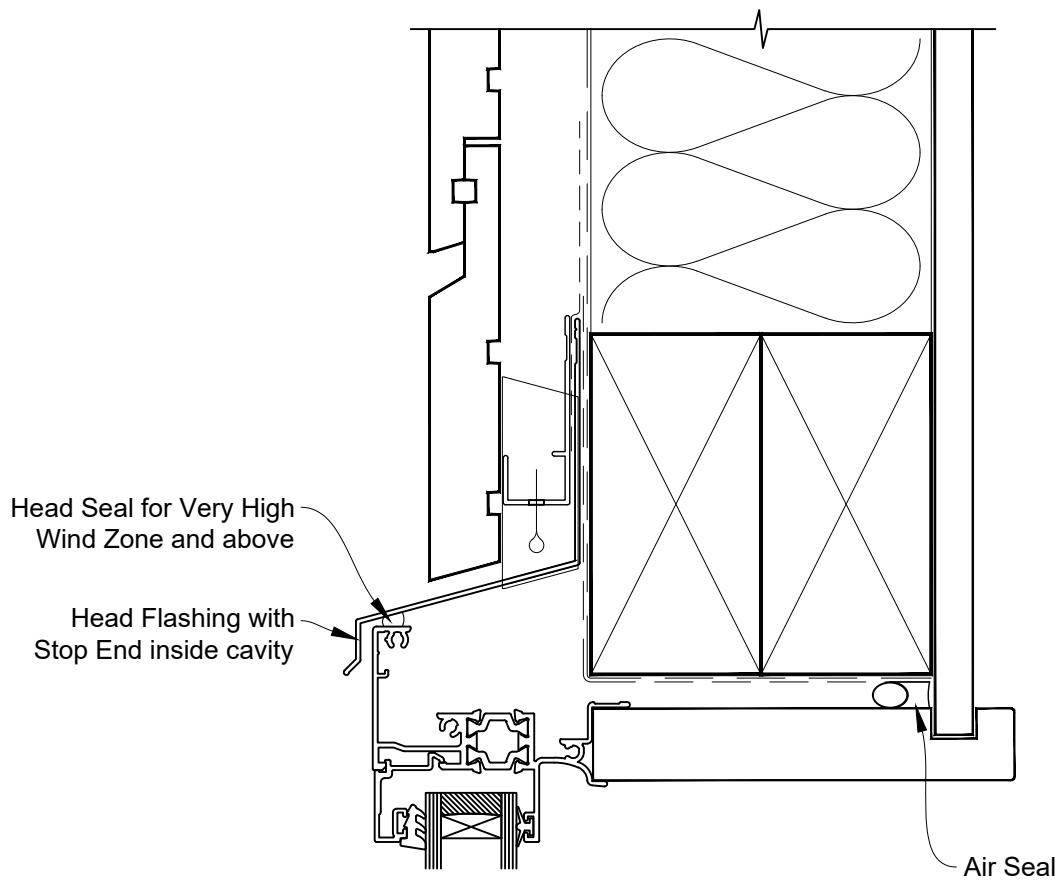


INSTALLATION DETAIL - RESIDENTIAL THERMAL HEART AWNING WINDOW ON RUSTICATED WEATHERBOARD CAVITY CONSTRUCTION

Date: 01.04.22

Scale: 1:2

CAD Ref.: TRAWRW-CH



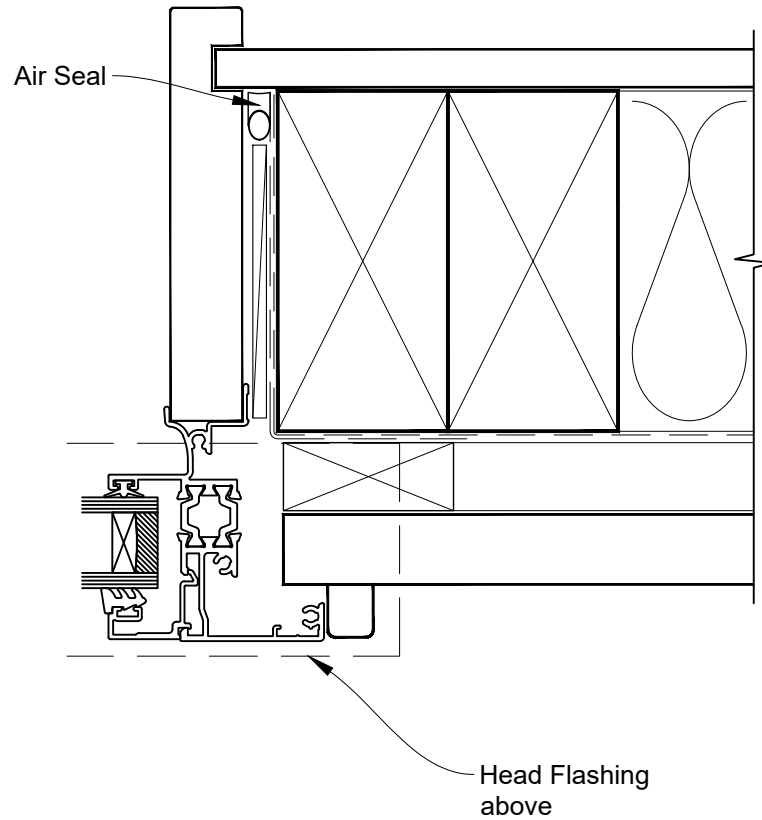


INSTALLATION DETAIL - RESIDENTIAL THERMAL HEART AWNING WINDOW ON RUSTICATED WEATHERBOARD CAVITY CONSTRUCTION

Date: 01.04.22

Scale: 1:2

CAD Ref.: TRAWRW-CJ



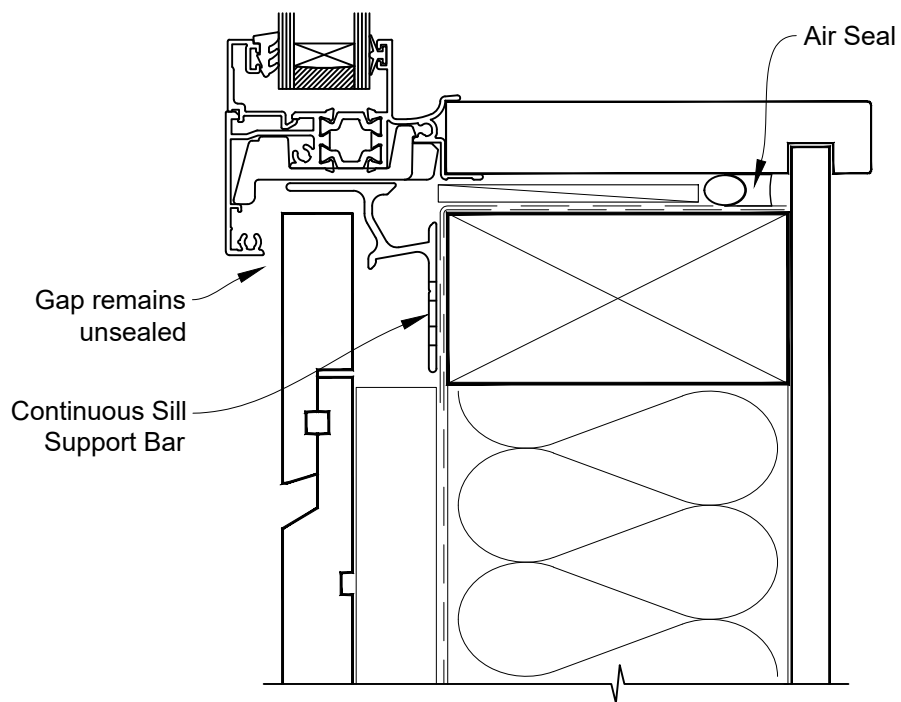


INSTALLATION DETAIL - RESIDENTIAL THERMAL HEART AWNING WINDOW ON RUSTICATED WEATHERBOARD CAVITY CONSTRUCTION

Date: 01.04.22

Scale: 1:2

CAD Ref.: TRAWRW-CS



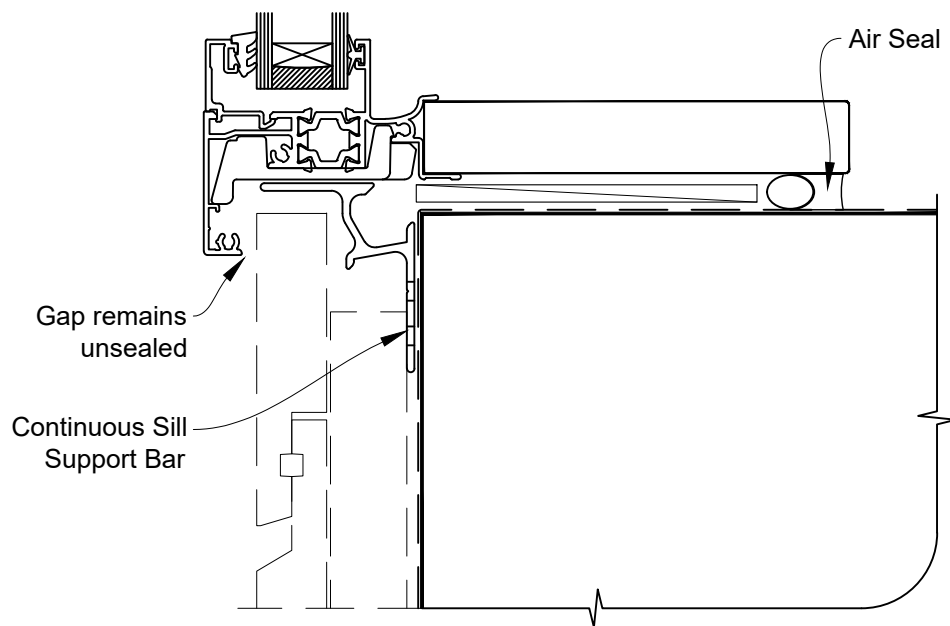


INSTALLATION DETAIL - RESIDENTIAL THERMAL HEART AWNING WINDOW ON RUSTICATED WEATHERBOARD CAVITY CONSTRUCTION

Date: 01.04.22

Scale: 1:2

CAD Ref.: TRAWRW-CS2



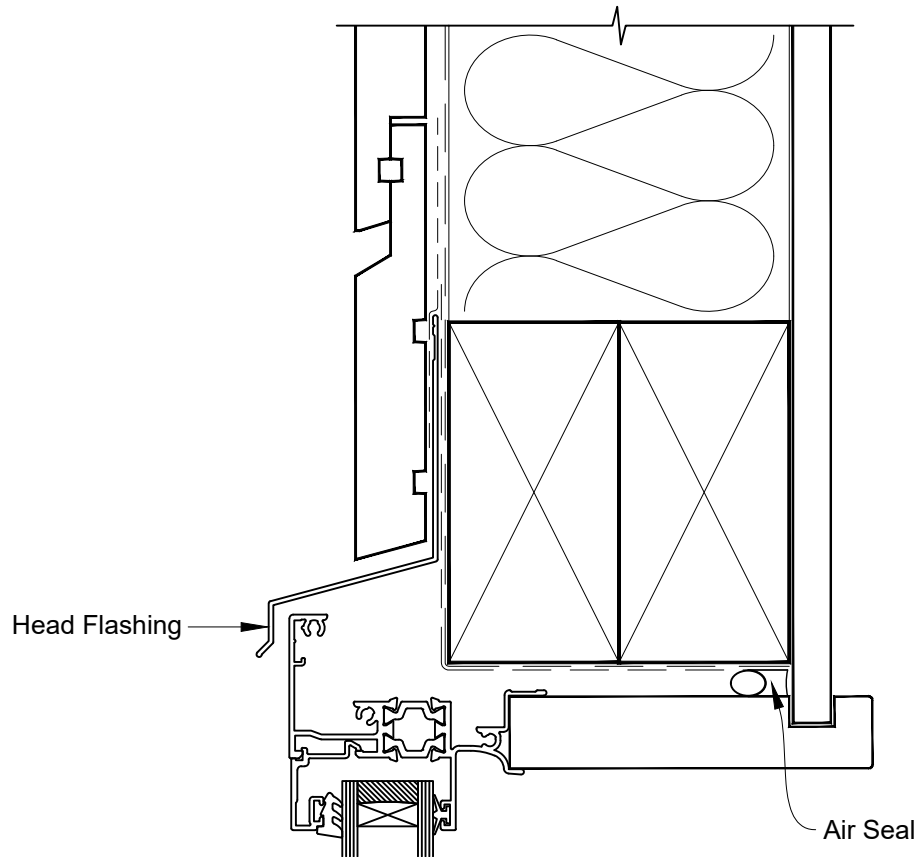


INSTALLATION DETAIL - RESIDENTIAL THERMAL HEART AWNING WINDOW ON RUSTICATED WEATHERBOARD DIRECT FIXED CLADDING

Date: 01.04.22

Scale: 1:2

CAD Ref.: TRAWRW-DH



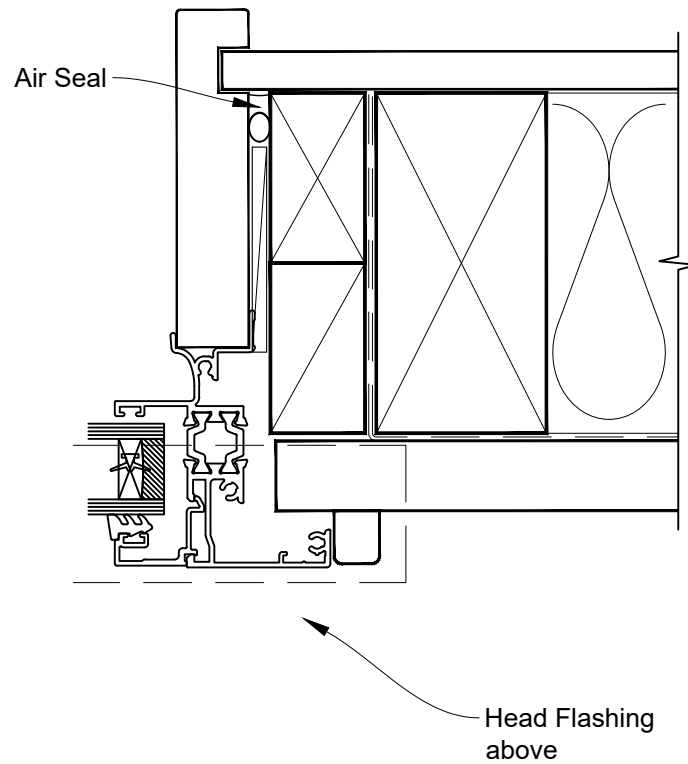


INSTALLATION DETAIL - RESIDENTIAL THERMAL HEART AWNING WINDOW ON RUSTICATED WEATHERBOARD DIRECT FIXED CLADDING

Date: 01.04.22

Scale: 1:2

CAD Ref.: TRAWRW-DJ



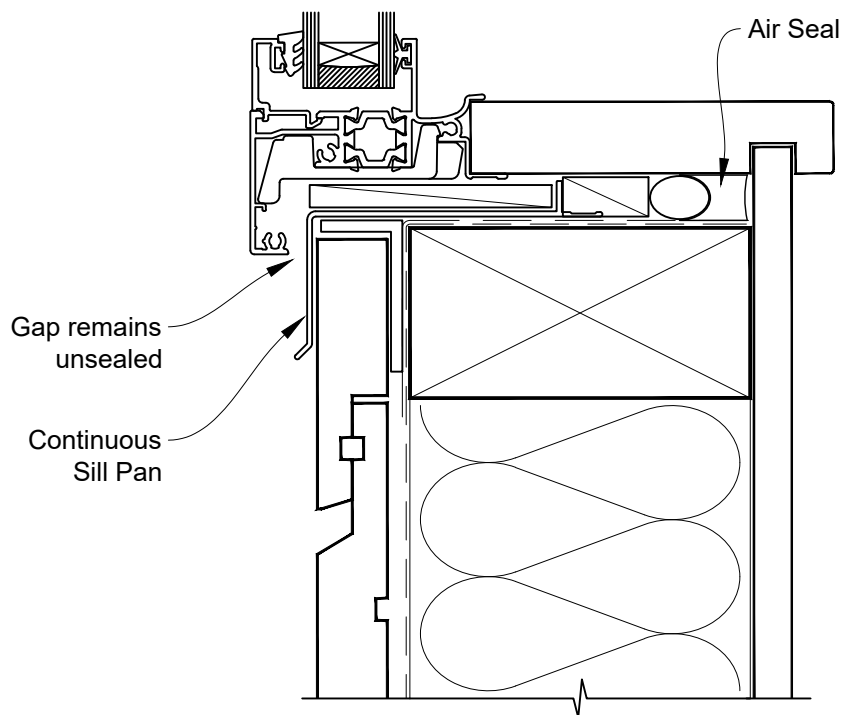


INSTALLATION DETAIL - RESIDENTIAL THERMAL HEART AWNING WINDOW ON RUSTICATED WEATHERBOARD DIRECT FIXED CLADDING

Date: 01.04.22

Scale: 1:2

CAD Ref.: TRAWRW-DS





INSTALLATION DETAIL - RESIDENTIAL THERMAL HEART AWNING WINDOW ON RUSTICATED WEATHERBOARD DIRECT FIXED CLADDING

Date: 01.04.22

Scale: 1:2

CAD Ref.: TRAWRW-DS2

