

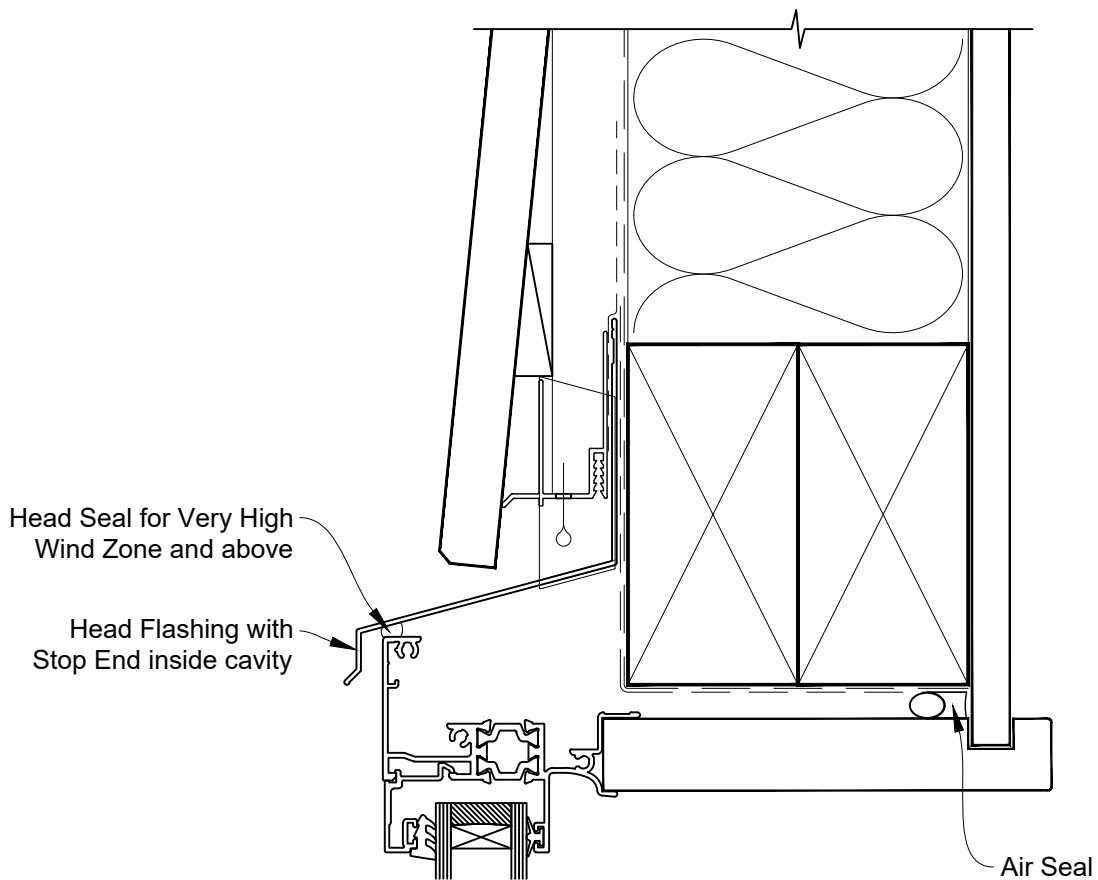


# INSTALLATION DETAIL - RESIDENTIAL THERMAL HEART AWNING WINDOW ON BEVELBACK WEATHERBOARD CAVITY CONSTRUCTION

Date: 01.04.22

Scale: 1:2

CAD Ref.: TRAWBW-CH



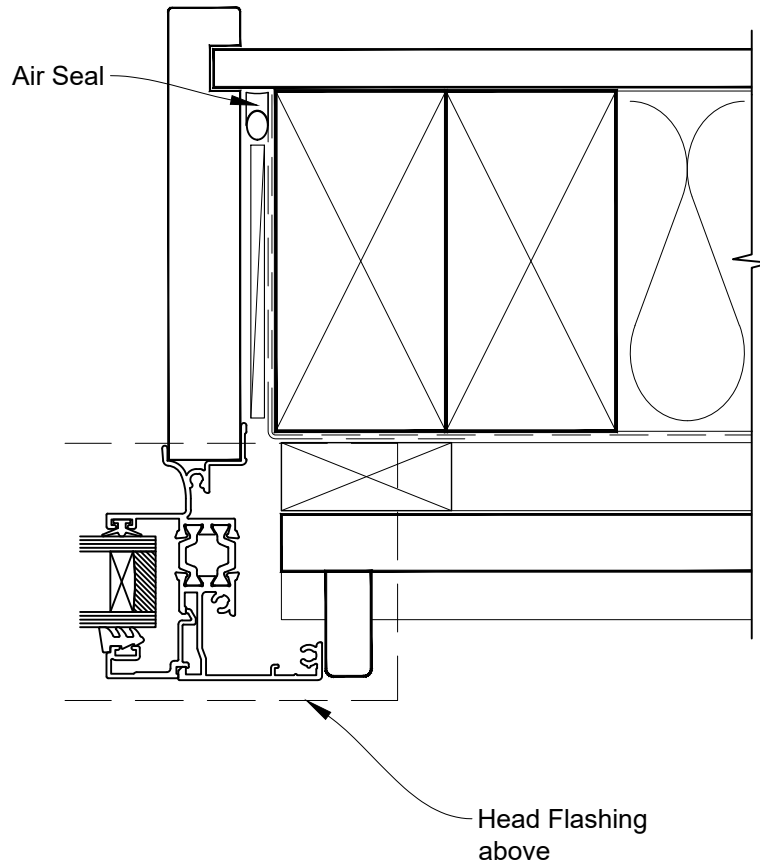


# INSTALLATION DETAIL - RESIDENTIAL THERMAL HEART AWNING WINDOW ON BEVELBACK WEATHERBOARD CAVITY CONSTRUCTION

Date: 01.04.22

Scale: 1:2

CAD Ref.: TRAWBW-CJ



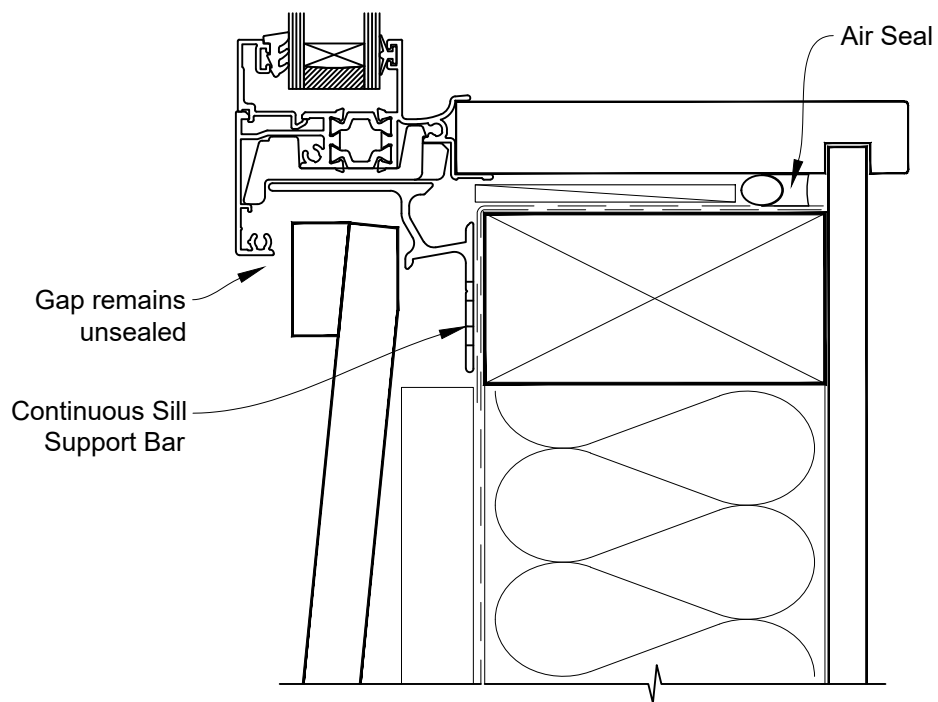


# INSTALLATION DETAIL - RESIDENTIAL THERMAL HEART AWNING WINDOW ON BEVELBACK WEATHERBOARD CAVITY CONSTRUCTION

Date: 01.04.22

Scale: 1:2

CAD Ref.: TRAWBW-CS



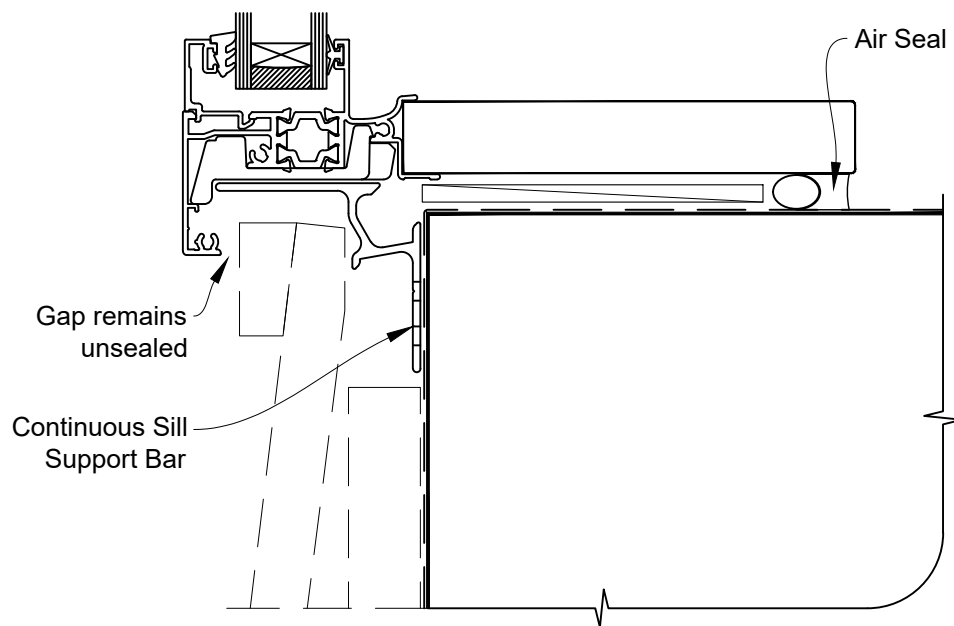


# INSTALLATION DETAIL - RESIDENTIAL THERMAL HEART AWNING WINDOW ON BEVELBACK WEATHERBOARD CAVITY CONSTRUCTION

Date: 01.04.22

Scale: 1:2

CAD Ref.: TRAWBW-CS2



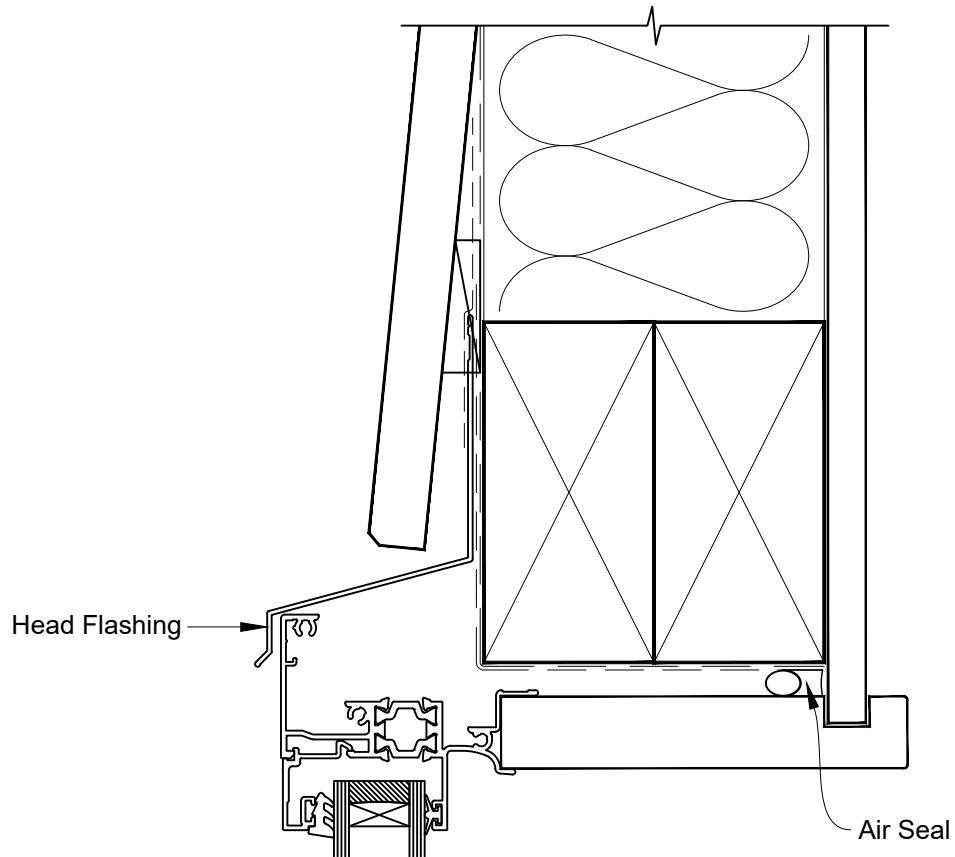


# INSTALLATION DETAIL - RESIDENTIAL THERMAL HEART AWNING WINDOW ON BEVELBACK WEATHERBOARD DIRECT FIXED CLADDING

Date: 01.04.22

Scale: 1:2

CAD Ref.: TRAWBW-DH



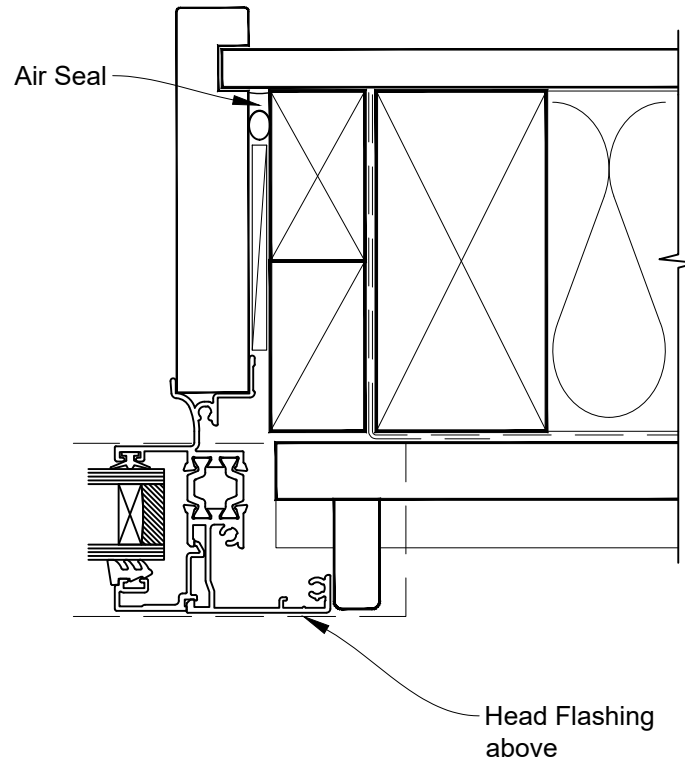


# INSTALLATION DETAIL - RESIDENTIAL THERMAL HEART AWNING WINDOW ON BEVELBACK WEATHERBOARD DIRECT FIXED CLADDING

Date: 01.04.22

Scale: 1:2

CAD Ref.: TRAWBW-DJ



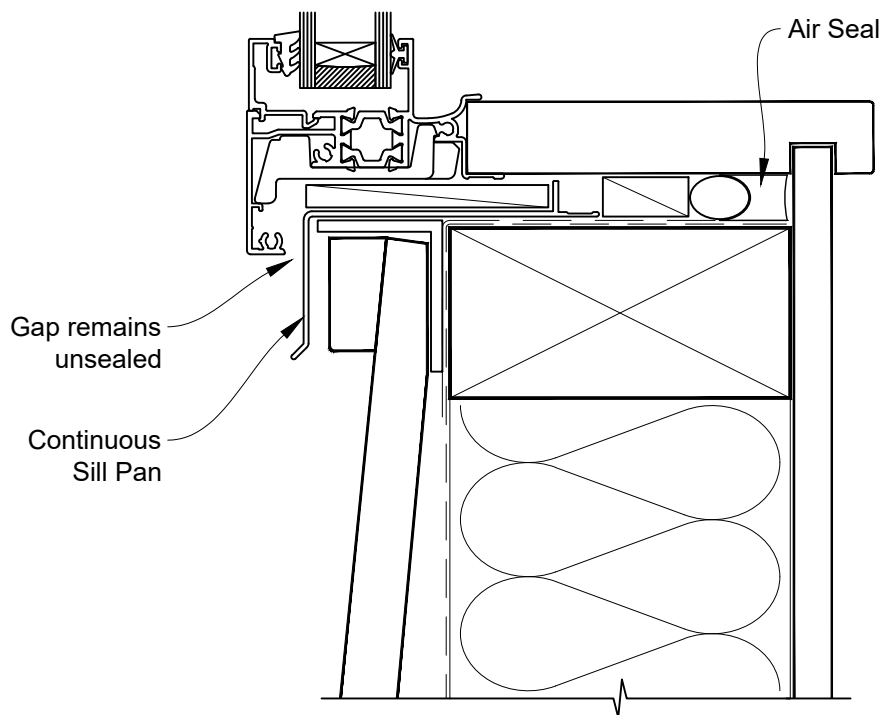


# INSTALLATION DETAIL - RESIDENTIAL THERMAL HEART AWNING WINDOW ON BEVELBACK WEATHERBOARD DIRECT FIXED CLADDING

Date: 01.04.22

Scale: 1:2

CAD Ref.: TRAWBW-DS





# INSTALLATION DETAIL - RESIDENTIAL THERMAL HEART AWNING WINDOW ON BEVELBACK WEATHERBOARD DIRECT FIXED CLADDING

Date: 01.04.22

Scale: 1:2

CAD Ref.: TRAWBW-DS2

