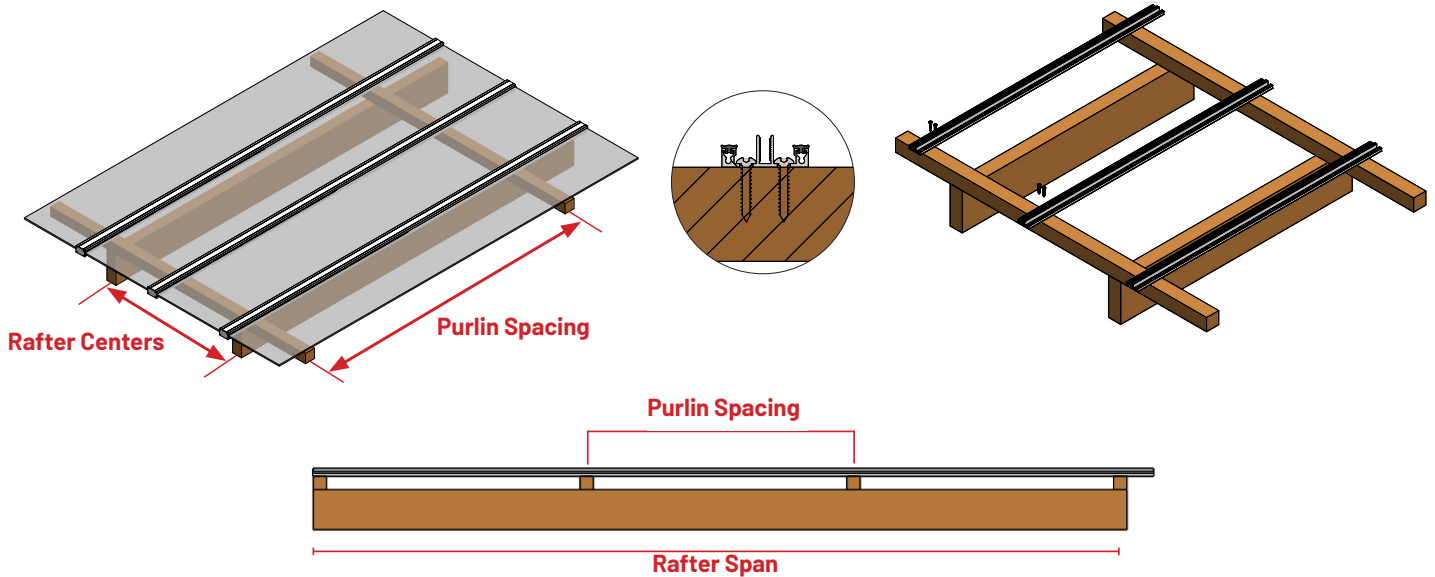


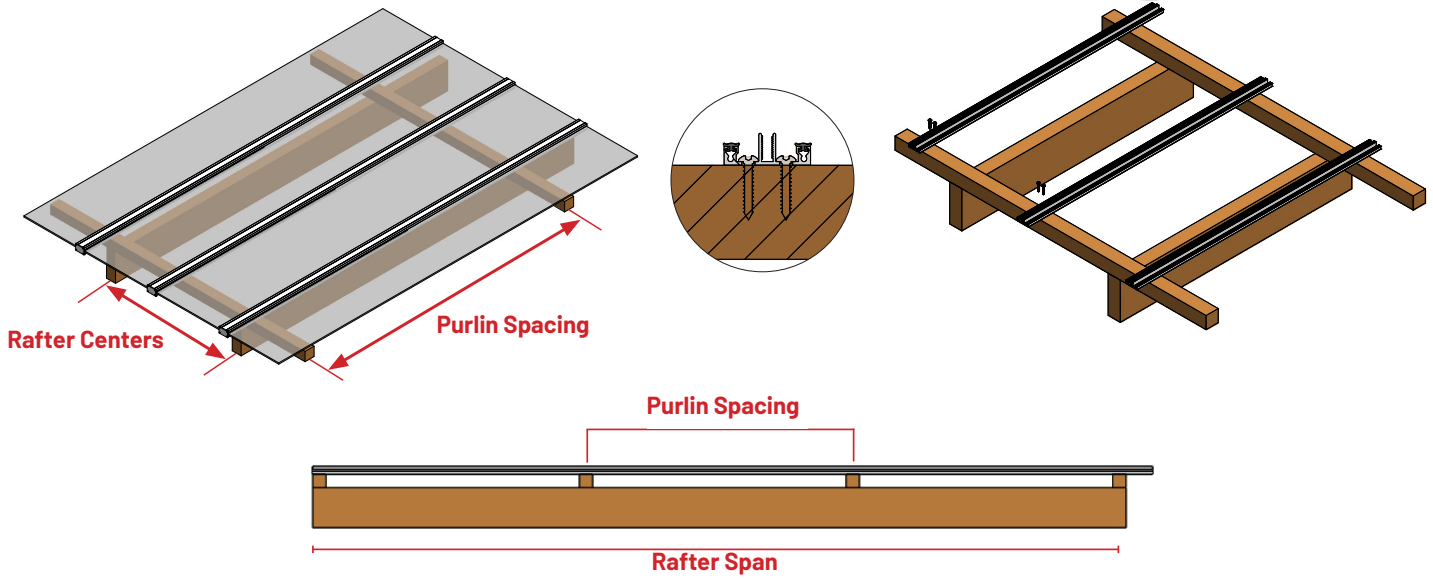
Glazing Bar - Purlin + Rafter Configurations for 6mm Solid Acrylic/Polycarbonate



Timber Rafter Size	Rafter Centres	Maximum Purlin spacing + Rafter span by Wind Zone					
		Extra High	Very High	High	Medium	Low	
140x45	600mm	1.0m	1.2m	1.3m	1.4m	1.4m	Max Purlin Spacing
		3.0m	3.3m	3.7m	3.7m	3.8m	Max Rafter Span
	750mm	1.0m	1.2m	1.3m	1.4m	1.4m	Max Purlin Spacing
		2.6m	2.9m	3.3m	3.6m	3.6m	Max Rafter Span
	900mm	1.0m	1.2m	1.3m	1.4m	1.4m	Max Purlin Spacing
		2.4m	2.7m	3.0m	3.3m	3.4m	Max Rafter Span
190x45	600mm	1.0m	1.2m	1.3m	1.4m	1.4m	Max Purlin Spacing
		4.0m	4.4m	5.0m	5.2m	5.2m	Max Rafter Span
	750mm	1.0m	1.2m	1.3m	1.4m	1.4m	Max Purlin Spacing
		3.6m	3.9m	4.5m	4.8m	4.8m	Max Rafter Span
	900mm	1.0m	1.2m	1.3m	1.4m	1.4m	Max Purlin Spacing
		3.3m	3.6m	4.1m	4.4m	4.4m	Max Rafter Span
240x45	600mm	1.0m	1.2m	1.3m	1.4m	1.4m	Max Purlin Spacing
		5.1m	5.6m	6.2m	6.3m	6.3m	Max Rafter Span
	750mm	1.0m	1.2m	1.3m	1.4m	1.4m	Max Purlin Spacing
		4.5m	5.0m	5.7m	6.1m	6.1m	Max Rafter Span
	900mm	1.0m	1.2m	1.3m	1.4m	1.4m	Max Purlin Spacing
		4.1m	4.6m	5.2m	5.6m	5.6m	Max Rafter Span

Purlins fixed to rafters with 2-12 gauge screws with 40mm embedment at each rafter crossing.

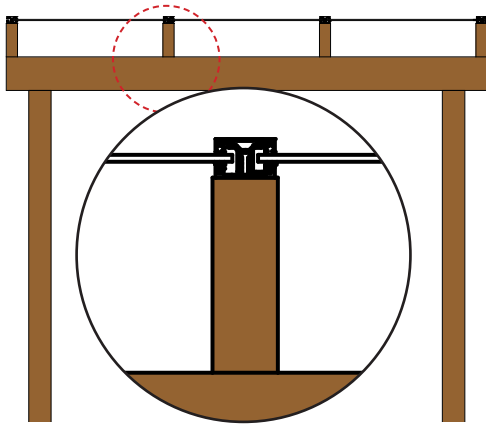
Glazing Bar - Purlin + Rafter Configurations for 8mm Solid Acrylic/Polycarbonate



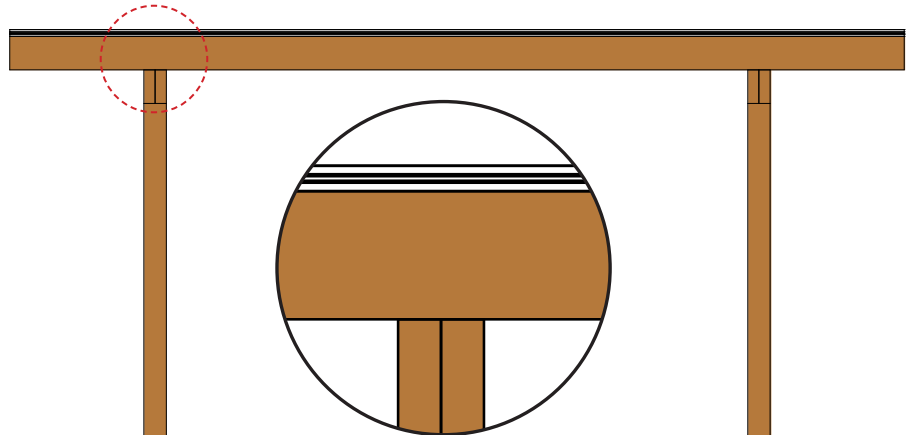
Timber Rafter Size	Max Rafter Centers	Maximum Purlin spacing + Rafter span by Wind Zone					
		Extra High	Very High	High	Medium	Low	
140x45	600mm	0.8m	1.0m	1.3m	1.4m	1.4m	Max Purlin Spacing
		3.0m	3.3m	3.7m	3.7m	3.8m	Max Rafter Span
	750mm	0.8m	1.0m	1.3m	1.4m	1.4m	Max Purlin Spacing
		2.6m	2.9m	3.3m	3.6m	3.6m	Max Rafter Span
	900mm	0.8m	1.0m	1.3m	1.4m	1.4m	Max Purlin Spacing
		2.4m	2.7m	3.0m	3.3m	3.4m	Max Rafter Span
190x45	600mm	0.8m	1.0m	1.3m	1.4m	1.4m	Max Purlin Spacing
		4.0m	4.4m	5.0m	5.2m	5.2m	Max Rafter Span
	750mm	0.8m	1.0m	1.3m	1.4m	1.4m	Max Purlin Spacing
		3.6m	3.9m	4.5m	4.8m	4.8m	Max Rafter Span
	900mm	0.8m	1.0m	1.3m	1.4m	1.4m	Max Purlin Spacing
		3.3m	3.6m	4.1m	4.4m	4.4m	Max Rafter Span
240x45	600mm	0.8m	1.0m	1.3m	1.4m	1.4m	Max Purlin Spacing
		5.1m	5.6m	6.2m	6.3m	6.3m	Max Rafter Span
	750mm	0.8m	1.0m	1.3m	1.4m	1.4m	Max Purlin Spacing
		4.5m	5.0m	5.7m	6.1m	6.1m	Max Rafter Span
	900mm	0.8m	1.0m	1.3m	1.4m	1.4m	Max Purlin Spacing
		4.1m	4.6m	5.2m	5.6m	5.6m	Max Rafter Span

Purlins fixed to rafters with 2-12 gauge screws with 40mm embedment at each rafter crossing.

Bar Rafter Configuration



Front View



Side View

6mm Solid Acrylic/Polycarbonate @ 600mm Centres

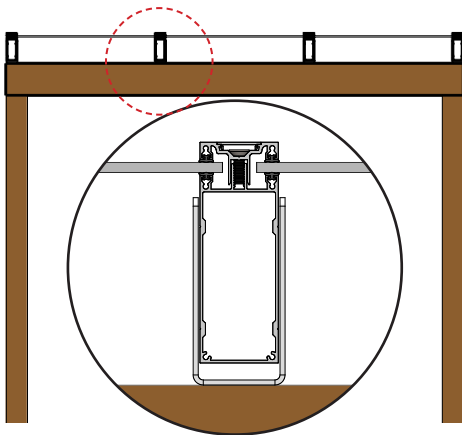
Timber Rafter Size	Wind Zone				
	Extra High	Very High	High	Medium	Low
90x45mm	1.9m	2.1m	2.4m	2.6m	2.6m
140x45mm	3.0m	3.3m	3.7m	4.0m	4.0m
190x45mm	4.0m	4.4m	5.0m	5.4m	5.4m
240x45mm	5.1m	5.6m	6.3m	6.8m	6.8m

8mm Solid Acrylic/Polycarbonate @ 750mm Centres

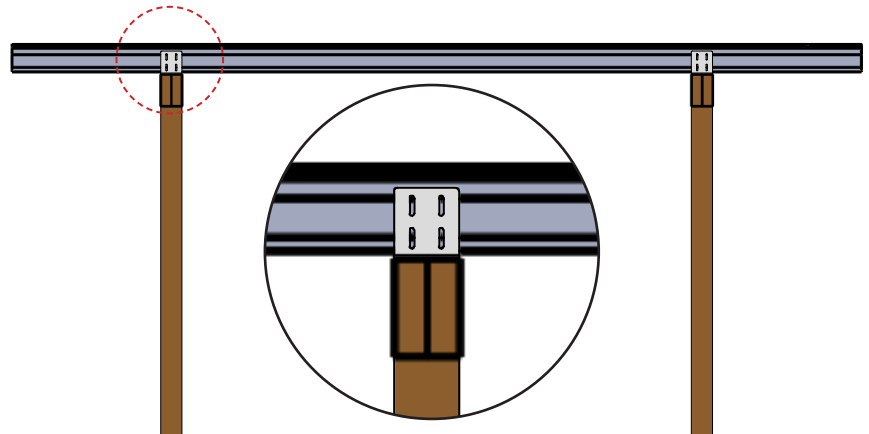
Timber Rafter Size	Wind Zone				
	Extra High	Very High	High	Medium	Low
90x45mm	1.7m	1.9m	2.1m	2.3m	2.3m
140x45mm	2.6m	2.9m	3.3m	3.6m	3.6m
190x45mm	3.6m	3.9m	4.5m	4.8m	4.8m
240x45mm	4.5m	5.0m	5.7m	6.1m	6.1m

Table limitations: Importance Level 2 buildings. Buildings not subject to snow loading. Specific to canopies fixed at 0.75 x h (median building height above ground). Width of canopy at least equal to height or greater. Spans indicative only - check with your installer prior to construction.

Glazing Box-Bar Rafter Configuration



Front View



Side View

ClearSpan Glazing Box/Bar - Maximum Allowable Spans by Wind Zone

	Glazing Thickness	Extra High	Very High	High	Medium	Low
600mm Centres	6mm	4.5m	4.9m	5.6m	6.0m	6.0m
750mm Centres	8mm	4.0m	4.4m	5.0m	5.4m	5.4m

Table limitations: d Load Midspan $Q = 0.5$. Box-Bar to be fixed with proprietary ClearSpan bracket and 4x bolts. Importance Level 2 buildings. Buildings not subject to snow loading. Specific to canopies fixed at $0.75 \times h$ (median building height above ground). Width of canopy at least equal to height or greater. Spans indicative only - check with your installer prior to construction.