



**COLORSTEEL**<sup>®</sup>  
Design Guide





COLORSTEEL® Cloud, Corrugate Profile  
Hillside Habitats, Aro Valley

## COLORSTEEL® is made, tested and trusted for New Zealand conditions

For over 40 years, COLORSTEEL® has been helping New Zealanders transform their environments. Driven by a desire to create better, stronger and more beautiful every day, we are constantly building on our foundation of practical knowledge, experience and understanding to think differently and deliver intelligent solutions for real applications.

At COLORSTEEL® we conduct both accelerated testing and real time testing. With over 20,000 test samples in the field at any one time you can rest assured that our products are robust and will stand the test of time. The accelerated testing provides us with information on the durability of our products while the real time testing proves the performance of COLORSTEEL® will be replicated in the built environment.

Over its many years, COLORSTEEL® has become a household name in New Zealand. Consequently, it's sometimes used as a generic term to describe 'coloured steel'. It's for this reason that it's important to ensure you insist on genuine COLORSTEEL® for your project.

The following guide outlines the critical elements that need to be considered when designing with COLORSTEEL®.





# COLORSTEEL® Solutions

COLORSTEEL® – designed, tested and approved to stand up to New Zealand’s unique environments and become a part of them.

Environmental factors unique to location play an important part in determining the best solution for your project.

For recommendations on which COLORSTEEL® solution is best for your project contact us at [specifications@colorsteel.co.nz](mailto:specifications@colorsteel.co.nz) and we can help advise the solution that’s right for you.



COLORSTEEL® Sandstone Grey, Trapezoidal Profile  
Harrex Residence, Alexandra Airport

## Special Environments

In New Zealand there are areas where local conditions create an increased likelihood of corrosion. Special consideration should be given to material selection in these areas. If you think your project may experience one of the following environments, please contact New Zealand Steel, or your supplier, for advice about the best COLORSTEEL® product to use.

### GEOTHERMAL AREAS

Sulphuric compounds associated with geothermal activity creates a corrosive environment. Variations in natural activity or draw-off from steam bores plus the effects of weather conditions make the high-risk areas hard to define.

### HIGH HUMIDITY INTERNAL ENVIRONMENTS

Processing plants and enclosed swimming pools can create an environment with high humidity which requires special consideration for material selection and maintenance.

### HARSH INTERNAL ENVIRONMENTS

Some commercial or agricultural applications may create internal environments in which the build-up of pollutants or fumes is a potential source of corrosion. Sheds for intensive animal farming can create a particularly aggressive internal environment.

### INDUSTRIAL ENVIRONMENTS

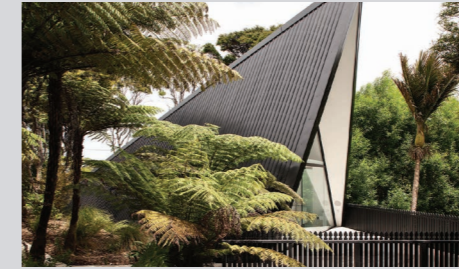
Environments close to corrosive industrial emissions that may be subject to heavy fallout require extra consideration.



COLORSTEEL® Ultimate® in FlaxPod®, Trapezoidal Profile  
Onemana Surf Club, Coromandel

## COLORSTEEL ENDURA®

Enduring Performance for Moderate Inland to Severe Coastal Environments



Designed to provide protection against corrosion in areas where Moderate to Severe environmental conditions are experienced. Our most popular solution, a product which can be seen on homes, businesses and buildings right around the country. High quality, low maintenance and durable, COLORSTEEL ENDURA® represents the perfect blend of form and function.

Has a Zinalume® substrate with an AZ150 coating class, (150g/m<sup>2</sup> of aluminium/zinc alloy).

## COLORSTEEL MAXX®

Maximum Protection for Severe to Very Severe Environments



Designed to provide protection against corrosion in areas where Severe to Very Severe environmental conditions are experienced. Specifically developed to withstand higher atmospheric salt concentrations. The usage of COLORSTEEL MAXX® is determined by your property’s proximity to the coast, geothermal areas and industrial environments.

Has a Zinalume® substrate with an AZ200 coating class, (200g/m<sup>2</sup> of aluminium/zinc alloy), to give enhanced performance.

## COLORSTEEL ALTIMATE®

Ultimate Protection for Extremely Severe Environments



Altimate® combines a marine grade aluminium substrate with the proven paint technology of COLORSTEEL®. Designed for superior corrosion protection, Altimate® is the ideal roofing and cladding solution for New Zealand’s extreme conditions.

## COLORSTEEL DRIDEX®

Help create a warmer, drier and healthier environment with DRIDEX®



An innovative solution that delivers superior condensation absorption and enhanced ventilation. Dridex® combines a thin layer of specialised absorbent fleece to the underside of the COLORSTEEL® sheet, negating the need for roofing underlay. It works to absorb accumulating moisture from the roof cavity and then releases it when conditions improve.

Dridex® is available on Endura®, Maxx® and Altimate® substrates for both roofing and wall cladding.

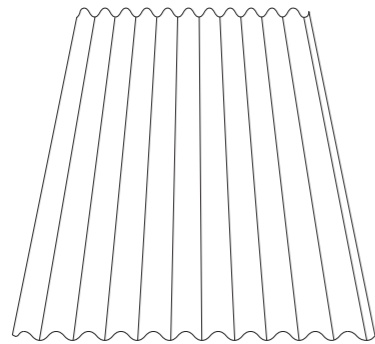


## Profile

At COLORSTEEL®, we work closely with a network of roofing manufacturers who all have their own specific range of profiles. Your preferred roofing manufacturer will be able to share the design details and any other specific information relating to design and installation of the profile you intend to work with. In general, COLORSTEEL® is available in four forms of profile: Corrugate, Trapezoidal, Trough and Tray.

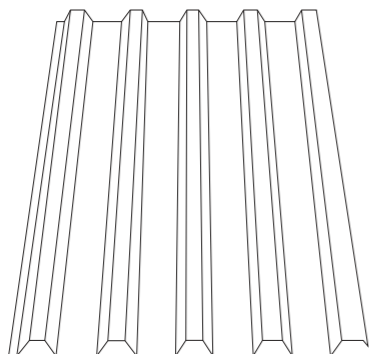
### CORRUGATE

A traditional and classic design that's been used on homes across the country for generations. The timeless symmetrical, wave-like pattern of corrugate looks great on villa reroofs but equally works well as roof or wall cladding on modern architectural designs.



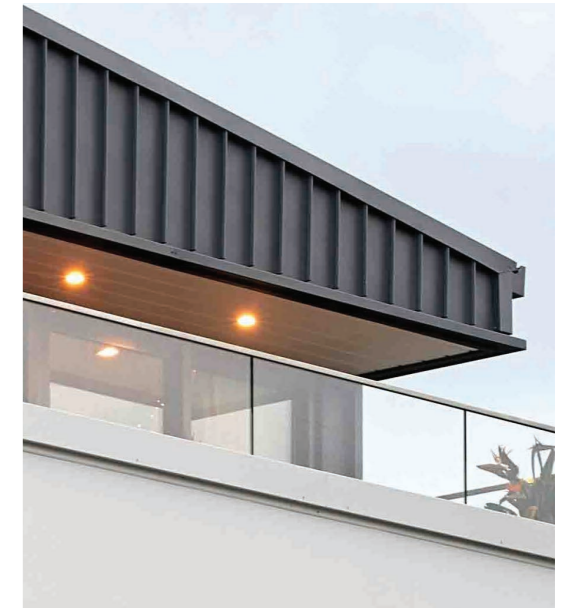
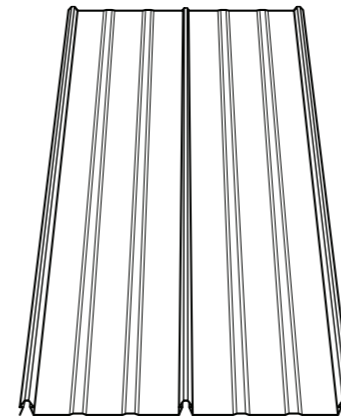
### TRAPEZOIDAL

The crisp, clean lines of this profile add a modern touch to any building. Trapezoidal profiles are versatile and have a high strength-to-weight ratio, not only looking great but also being a perfect choice for a wide variety of applications.



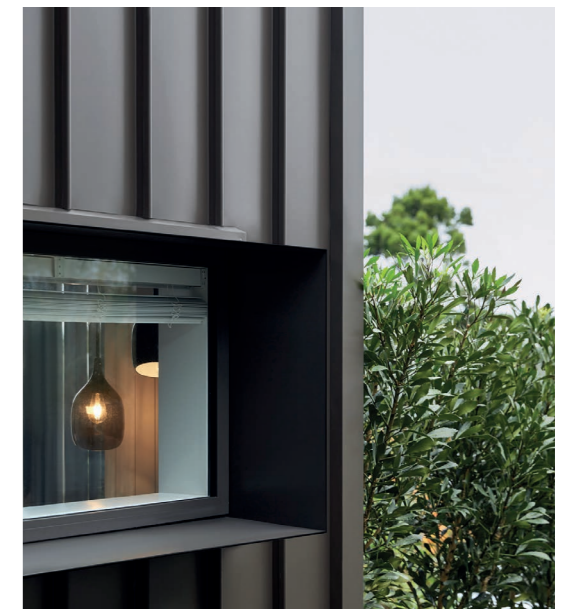
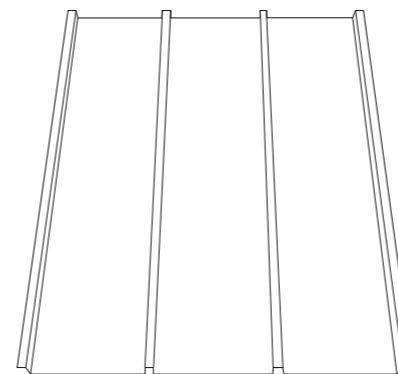
### TROUGH

Traditionally used in commercial applications but used widely across both residential and commercial projects in recent times, trough sections generally have 2 to 3 pans giving a bold look. These profiles are secret clip fixed. This minimises roof penetrations and gives better allowance for thermal movement.



### TRAY

Consisting of a single pan to replicate the hand formed roofs popular in Europe centuries ago. The sleek aesthetic of the tray profile has made it a favourite with architects and designers for contemporary homes. It's minimalistic design and secret clip fastenings make it a popular choice for wall cladding as well as roofing.



Profile illustrations are representations only. For scale drawings and specific profile measurements, refer to roofing manufacturer's website.



## Colours

Our colour range is inspired by our home; the beautiful, diverse and ever-changing landscape of Aotearoa, New Zealand. Our extensive palette includes the COLORSTEEL® Matte range- an innovative and premium paint technology that uses micro-wrinkle technology to diffuse light, creating a unique lustred surface and a soft textured look, revealing the true tone and depth of colour not seen in other finishes. Refer to the brochure Your Guide to Choosing COLORSTEEL® for details on our primary range of colours.

Secondary and custom colours are also available upon request. Please check with your COLORSTEEL® supplier or email [specifications@colorsteel.co.nz](mailto:specifications@colorsteel.co.nz) for more information.

## Reflectivity & Glare

There are two measures of light or solar reflectance that are used for quite different purposes.

Total Solar Reflectance (TSR) measures the percentage of solar energy across the entire spectrum that is reflected away from an object. This correlates closely to the temperature that the object will reach. Colours with a high TSR will generally absorb less thermal energy and will reduce the heat transferred to the roof.

Light Reflectance Value (LRV) measures the percentage of light reflectance only in the visible sector of the spectrum. This closely relates to glare. Some councils will have limits on maximum LRV values.

COLORSTEEL® COLOUR	TOTAL SOLAR REFLECTANCE %	LIGHT REFLECTANCE VALUE %
Cloud	72%	76%
SnowStone® Matte	68%	69%
Titania	67%	69%
Desert Sand	58%	51%
Gull Grey	57%	50%
Lichen	44%	28%
Sandstone Grey	42%	27%
Mist Green	40%	25%
Pioneer Red	36%	15%
Scoria	32%	12%
Thunder Grey	30%	12%
Lignite	30%	11%
TidalDrift® Matte	29%	13%
Grey Friars	28%	10%
Ironsand	28%	8%
Slate	27%	9%
Permanent Green	26%	10%
FlaxPod® Matte	26%	6%
New Denim Blue	25%	11%
Karaka	25%	8%
FlaxPod®	25%	7%
Windsor Grey (Low Gloss)	23%	7%
Ebony	5%	5%

## Colour match paints (touch up paint)

Colour match paint is designed to pre match accessories and brackets prior to installation. It should not be used to repair scratches as it will weather differentially to the COLORSTEEL® surface.



COLORSTEEL® Ironsand, Corrugate Profile  
Wairarapa Haybarn



## Compatibility

When two different metals are in contact and moisture is present, one metal is relatively protected while the other suffers accelerated corrosion. This is known as galvanic or bi-metallic corrosion. A similar problem can also occur with water flowing over dissimilar metals. To prevent accelerated corrosion when using two separate metallic materials, compatibility must be considered from the very start of your project.

### Compatibility of materials in contact

CLADDING MATERIAL	WET CONTACT WITH:	
<b>COLORSTEEL Endura®</b> <b>COLORSTEEL Maxx®</b> <b>COLORSTEEL Altimate®</b>	Bare Aluminium	✓
	Bare Galvanised	✓
	Bare Zincalume	✓
	Copper / Brass	✗
	Stainless steel	✗
	Plastic / Glass	✓
	Concrete	✗
	Timber	✗
	Butyl Rubber	✗

### Compatibility of materials subject to run-off

CLADDING MATERIAL	RUN-OFF FROM:	
<b>COLORSTEEL Endura®</b> <b>COLORSTEEL Maxx®</b> <b>COLORSTEEL Altimate®</b>	Bare Aluminium	✓
	Bare Galvanised	✓
	Bare Zincalume	✓
	Copper / Brass	✗
	Stainless steel	✓
	Plastic / Glass	✓
	Concrete	●
	Untreated Timber	✓
	Treated Timber	●
Butyl Rubber	✓	

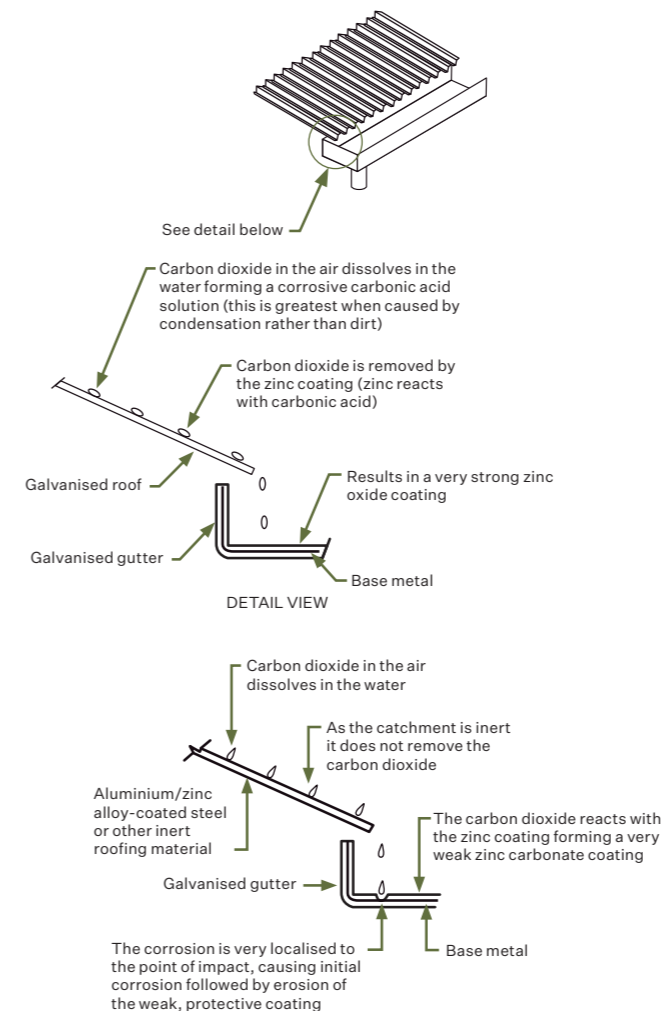
KEY: ✓ Ok | ✗ Not ok | ● Avoid where possible

## Run-off from inert materials

Run-off from inert surfaces such as glazed tiles, aluminium and aluminium-dominant metallic coatings, fibreglass, pre-coated metals, glass or any painted surface can cause corrosion of unpainted galvanised steel and other zinc-dominant metallic coatings. This is known as 'drip-spot corrosion' or 'inert catchment corrosion'.

Water sitting on a surface absorbs carbon dioxide and forms carbonic acid, which is reactive with zinc. On a galvanised surface, the carbonic acid reacts with the zinc and becomes neutral. On an inert surface, the carbonic acid is not neutralised, and reaction will be concentrated on any drip points on an unprotected zinc surface.

As the formation of carbonic acid takes time to occur, inert catchment corrosion is normally seen at specific drip points of dew off a roof rather than below rain washed walls and windows.



## Flues, Fume Extractors & Vents

Corrosive compounds can be released through roof vents and discharged onto the roof surface. The immediate area of the roof adjacent to the vent is then at increased risk of corrosion.

- When designing flues, ensure the height allows for combustion by-products to be dissipated
- Install filter elements to contain hazardous material.
- Ensure combustion appliances are maintained and run as efficiently as possible to allow complete combustion. Do not burn timber containing copper-based preservative.
- Regularly wash the roof to remove contaminants.

## Wet storage damage

Stacked sheets may deteriorate rapidly if water enters the pack. Sheets that are delivered wet or become wet in storage must be used immediately or dried. Drying can be done by cross stacking them on a slope to allow water to drain and air to circulate between the sheets. Long term storage may only be done in a dry, well ventilated environment. Take care to protect the material from corrosive and damaging substances such as acid, cement, swarf, grass etc.

Failure to follow these handling and storage precautions could result in spoiling the surface appearance of the products and severely reducing their service life. The result of wet storage damage could be a bubbling of the paint surface. The warranty will not cover any damage that's been caused by wet stack corrosion.





## External moisture

Design details to satisfy the requirements of the Building Code can be found in E2/AS1, Metal Roofing Code of Practice or the roofing manufacturers website.

## Pitch

The New Zealand Building Code provides a minimum roof pitch required. The pitch figures shown in paragraph 8.4.5 of Acceptable Solution E2/AS1 are reproduced, in part, below for your convenience. Refer specific enquiries to the Profile Manufacturer who may have an Alternative Solution. In addition to the below table, curved roofs must meet the minimum pitch for the profile at the eaves.

### Roof Pitch Requirements

Different profiles have different minimum pitch limitations.

PROFILE	RIB HEIGHT	MINIMUM PITCH
Trapezoidal asymmetrical	20 – 35 mm	4°
Trapezoidal asymmetrical and symmetrical	36 – 60 mm	3°
Trapezoidal symmetrical	20 – 35 mm	4°
Concealed Clip / Trough	>30 mm	3°
Concealed Clip / Trough	<30 mm	8°
Standing seam fully supported flat sheet metal	>30 mm	3°
All other types of fully supported flat sheet metal		5°
Corrugated and other profiled sheeting	16.5 – 20 mm	8°
Corrugated and other profiled sheeting	21 – 35 mm	4°
Corrugated and other profiled sheeting	>35 mm	3°

## Structure

The strength of a roof profile is dependent on the profile, material strength and material thickness. When the roofing profile is specified, the roofing manufacturer will recommend a fastening pattern to suit the span and associated wind load. Each profile will have a designated fixing type, either penetrating fasteners such as self-drilling screws, or secret clip fastenings. We recommend fasteners with equal or superior durability than the cladding.

## Foot traffic

Resistance to damage by foot traffic is not a requirement of the Building Code but roofs with high traffic levels should be designed with foot traffic in mind to avoid excessive damage. Such circumstances include roofs with solar panels and complex monopitch roofs where regular maintenance, such as washing windows, is required. Generally, 0.55mm is the recommended minimum material thickness for roofs where moderate to high foot traffic is anticipated. Repeated foot traffic and the dragging of maintenance or cleaning equipment may damage the roof which will reduce its life expectancy.

- Design and install catwalks and platforms over the roof where necessary.
- Aluminium or galvanised steel catwalks are recommended.
- Design catwalks and platforms so as not to create an unwashed or ponding area on the roof.
- Safe access and fall restraint systems need to be considered when designing roofs with regular foot traffic.

## Fire

COLORSTEEL® products have been tested in accordance with ISO 5660 Parts 1 and 2 by BRANZ. The tests were carried out in accordance with the test procedures described in ISO 5660: (2002), Reaction-to-fire tests – Heat release, smoke production and mass loss – Part 1: Heat release rate, and Part 2: Smoke production rate.

The group number was determined in accordance with Verification Method C/VM2 Appendix A of the NZ Building Code.

PRODUCT	GROUP NUMBER	AVERAGE SPECIFIC EXTINCTION AREA	PEAK HEAT RELEASE RATE	TOTAL HEAT RELEASED
<b>Endura®</b>	GROUP 1-S	32.5 m <sup>2</sup> /kg	3.5 kW/m <sup>2</sup>	0.4 MJ/m <sup>2</sup>
<b>Maxx®</b>	GROUP 1-S	38.2 m <sup>2</sup> /kg	3.3 kW/m <sup>2</sup>	0.2 MJ/m <sup>2</sup>
<b>Altimate®</b>	GROUP 1-S	50.9 m <sup>2</sup> /kg	6.5 kW/m <sup>2</sup>	0.2 MJ/m <sup>2</sup>





## Expansion allowance & temperature

All roofing and wall cladding is subject to expansion and contraction due to temperature extremes, this is particularly evident with darker colours and long spans. Fixing systems must allow for expansion and accommodate the longitudinal movement which results. Excessive expansion on pierced fastened roofs can result in snapping of fasteners and excessive roof noise. Noisy roofs are most often associated with long low-pitched dark roofs.

### Typical Roof Temperatures (summer average, calm conditions)

	INSULATED CEILING SPACE	UNINSULATED
Light Colours (e.g. Titania)	60°C	50°C
Medium Colours (e.g. Mist Green)	80°C	70°C
Dark Colours (e.g. Karaka)	90°C	75°C

Roofing manufacturers can supply fixing details to allow for thermal expansion of lengths over 12 metres.

## Internal moisture

As building inhabitants create water vapour, which is lighter than air, a lot of this can migrate into the ceiling space. This can cause problems with mould and rot as well as affecting the health of the inhabitants. Ventilation is recommended to prevent problems occurring, particularly in buildings with low ceiling cavity volumes. One of the best ways to achieve increased ventilation of a ceiling cavity is to use COLORSTEEL® Dridex®. This removes the need for separate underlay, improving speed of installation and increasing air movement and removal of water vapour from the ceiling space.

## Moderating building temperatures

Through its infrared reflectance technology, COLORSTEEL® utilises a range of pigments that reflect a larger proportion of the sun's energy which can lower roof temperatures by up to 8°C depending on colour. The result is a reduced roof temperature and a moderated temperature for the internal environment.

## Flashings & Ridge Caps

Flashings and ridge capping should be manufactured wherever possible, from materials that have the same paint system as the roof to ensure equal durability and consistent weathering. Soft edgings and accessories must be colour matched prior to installation. Sealant should be neutral cure or MS type, sandwiched between the surfaces being joined and secured with 4mm sealed rivets at 50mm centres.

## Penetrations

Penetrations should be designed according to the MRM Code of Practice recommendations in line with their type, size and positioning. Where penetration flashings are required, neoprene, silicone rubber, EPDM or aluminium offer excellent performance.

## Swarf

Hot swarf created from activity such as metal grinding and friction cutting can embed deeply into the COLORSTEEL® surface potentially affecting the durability. Other swarf created from acceptable activity such as drilling holes and cutting by shear, may produce surface rust staining but will not compromise the life of the roof. It's the responsibility of the installer or trades person to remove any swarf created during installation.

## Photovoltaic Panels

Photovoltaic (PV) panels can be successfully installed on COLORSTEEL® roofs. The following practices will help to ensure the long-term performance, durability and aesthetic appeal of COLORSTEEL® products.

### 1. Roof clearance

Ensure adequate clearance is available between the PV panels and COLORSTEEL® products. This will:

- Assist with self-cleaning and limit the build-up of leaves and other debris.
- Provide easy access for cleaning, inspection and maintenance of the roofing material and fasteners beneath the PV panels.
- Allow air movement to quickly dry areas beneath the PV panels. This may also benefit the performance of the PV panels, as electrical output is usually temperature dependant.

### 2. Water tightness

Ensure continued water tightness of your COLORSTEEL® roof:

- Install PV panels to allow free drainage of moisture from all surfaces to avoid water ponding.
- Any penetrations through the roof should be placed to minimise the risk of water ingress. Ensure penetrations through the roofing sheet are correctly sealed using flashings and sleeves specified for steel roofing.
- Avoid valley fixing or valley holes for electrical cables.
- Install PV fasteners and brackets away from sheet side laps. Fasteners and brackets may distort the profile and interfere with the specifically designed anti-capillary laps, leading to possible water ingress.

### 3. Positioning

When considering the location and orientation of PV panels, consider the ease of access for maintenance. It is recommended to specify 0.55mm material thickness due to the high foot traffic.

### 4. Cables and Electrical Earthing

Electrical cables should not sit directly upon the roof as this may lead to an accumulation of dirt, salt and other airborne contaminants. Instead, it is recommended that cables are affixed to the PV panel support structure.

Ensure appropriate earthing of the PV system. Stray currents to COLORSTEEL® products may accelerate corrosion due to electrolysis. Refer to AS/NZS 5033 – Installation of photovoltaic (PV) arrays.

### 5. Roof Care and Maintenance

PV panels shield COLORSTEEL® products from the drying action of the sun and beneficial washing from rainfall. As such, the roof area directly below the PV panels is considered an 'unwashed area' and must be maintained accordingly.





## Helping your steel roofing & cladding last longer

In New Zealand we can face some harsh environmental conditions. To maximise the life of your COLORSTEEL® products and maintain the warranty, some simple maintenance is required. Choosing the appropriate product for your location and following recommended maintenance practices will help to ensure the long-term performance, durability and aesthetic appeal of your COLORSTEEL®.

### Washing

All roofing and cladding products are subject to the cumulative effects of weather. Regular washing of COLORSTEEL® products increases their durability by limiting attack from airborne salts, pollutants and other build up. For most roofs rain washing is sufficient to remove deposits and enable the roof to meet its design life. However, annual inspection is recommended to ensure there is no build-up of debris, lichen or deterioration of other materials that may cause premature corrosion to the roof, and to conduct any necessary maintenance.

Roofing and wall cladding products may be manually washed by either water and a sponge, a soft nylon-bristled brush or by water blasting at pressures of no more than 20MPa.

If lichen or fungus is found it is possible for it to be removed. For more information on lichen removal please see the COLORSTEEL® Removal of Lichen brochure. Care should be taken with chemical washes as they have the potential to damage the paint surface.

### Unwashed areas

Consideration should be given during the design stage to ensure the underside of COLORSTEEL® is enclosed and therefore not exposed to the environment, where this is not possible regular maintenance is required. Where unwashed areas cannot be avoided, specify regular washing of these areas as part of an ongoing maintenance programme. Design consideration for easy access must be given to areas that require regular maintenance. See pages 16-18 for detailed information.

### Wall cladding

Wall cladding requires manual washing to prevent build-up of contaminants that aren't removed by rain washing. As such, all wall cladding should be treated as an unwashed area and be maintained accordingly.

### Other high-risk areas

Other areas that do not receive adequate rain washing require more extensive manual washing. These areas include soffits, undersides of gutters, fascias, and sheltered areas of garage doors as well as under any external objects such as air conditioning units, television aerials, flues and solar panels. Areas adjacent to deciduous trees, and other sources of fall out will also require manual washing.

### Over painting

Over painting can be successfully done by washing down the roof and recoating in accordance with the paint manufacturers recommendations. As primer is less resistant to UV exposure, it is recommended that recoating be done before significant areas of primer are exposed.

Extra care is required for preparation of recently installed COLORSTEEL® to ensure adhesion.





## New Zealand has a wide range of environmental conditions.



### EXTREMELY SEVERE



### VERY SEVERE



### SEVERE



### MODERATE

This chart is intended as a guide only. Design, position and other factors can influence which product is recommended. Please contact COLORSTEEL® or your supplier for further advice on the best COLORSTEEL® product to use. Warranty queries can be sent to [warranty@colorsteel.co.nz](mailto:warranty@colorsteel.co.nz).

■ Eligible for a residential warranty.  
 ■ Not eligible for a residential warranty.

<sup>1</sup> Against perforation as a result of corrosion.

<sup>2</sup> Covering the paint surface against flaking, peeling and excessive fade.

The environment typically starts 0m from the high-water line on both coasts with the following conditions:

- Very heavy salt deposits.
- Constant smell of salt spray in the air.
- Immediate vicinity of breaking surf and offshore construction such as on jetties, wharfs or breakwaters.

For anything within 100 metres of a salt water body, please contact COLORSTEEL® for confirmation of your warranty. This environment may be extended inland by prevailing winds & local conditions.

Typically starts 25m from the high-water mark on the east coast and 50m from the high-water mark on the west coast, characterised by:

- Heavy salt deposits.
- The almost constant smell of salt spray in the air.
- Close to breaking surf such as is found on exposed coasts.

For anything within 100 metres of a salt water body, please contact COLORSTEEL® for confirmation of your warranty. This environment may be extended inland by prevailing winds & local conditions.

Typically starts 100 – 500 metres (depending on your location) from breaking surf such as is found on exposed coasts, characterised by:

- Light salt deposits.
- A frequent smell of salt in the air.
- In the immediate vicinity of large expanses of calm salt water such as harbour foreshores.

This environment may be extended inland by prevailing winds & local conditions.

Typically starts 500 – 1000 metres (depending on your location) from breaking surf such as is found on exposed coasts or in the immediate vicinity of calm saltwater such as estuaries. Moderate environments categorise the majority of New Zealand and are characterised by:

- Little or no salt deposits.
- The occasional smell of salt in the air.

			ROOFING	WALL CLADDING	GUTTER DOWNPIPES	FASCIA	ROOFING	WALL CLADDING	GUTTER DOWNPIPES	FASCIA	ROOFING	WALL CLADDING	GUTTER DOWNPIPES	FASCIA	ROOFING	WALL CLADDING	GUTTER DOWNPIPES	FASCIA
<b>ENDURA®</b>	RESIDENTIAL WARRANTIES	PERFORATION <sup>1</sup>	Not recommended in this environment				Not recommended in this environment				15 YEARS	Not recommended	10 YEARS	15 YEARS	30 YEARS	15 YEARS	10 YEARS	15 YEARS
		PAINT <sup>2</sup>	Not recommended in this environment				Not recommended in this environment				15 YEARS		5 YEARS	5 YEARS	18 YEARS	15 YEARS	10 YEARS	10 YEARS
	MAINTENANCE										Rain washing		Manual washing every 3 months	Manual washing every 3 months	Rain washing	Manual washing every year	Manual washing every 6 months	Manual washing every 6 months
<b>ENDURA® DRIDEX®</b>	RESIDENTIAL WARRANTIES	PERFORATION <sup>1</sup>	Not recommended in this environment				Not recommended in this environment				15 YEARS	Not recommended	Not recommended	Not recommended	30 YEARS	15 YEARS	Not recommended	Not recommended
		PAINT <sup>2</sup>	Not recommended in this environment				Not recommended in this environment				15 YEARS				18 YEARS	15 YEARS		
	MAINTENANCE										Rain washing				Rain washing	Manual washing every year		
<b>MAXX®</b>	RESIDENTIAL WARRANTIES	PERFORATION <sup>1</sup>	Not recommended in this environment				15 YEARS	15 YEARS	10 YEARS	15 YEARS	20 YEARS	15 YEARS	10 YEARS	15 YEARS	30 YEARS	15 YEARS	10 YEARS	15 YEARS
		PAINT <sup>2</sup>	Not recommended in this environment				15 YEARS	15 YEARS	10 YEARS	10 YEARS	15 YEARS	15 YEARS	10 YEARS	10 YEARS	18 YEARS	15 YEARS	10 YEARS	10 YEARS
	MAINTENANCE					Rain washing	Manual washing every 3 months	Manual washing every month	Manual washing every month	Rain washing	Manual washing every 6 months	Manual washing every 3 months	Manual washing every 3 months	Rain washing	Manual washing every year	Manual washing every 6 months	Manual washing every 6 months	
<b>MAXX® DRIDEX®</b>	RESIDENTIAL WARRANTIES	PERFORATION <sup>1</sup>	Not recommended in this environment				15 YEARS	15 YEARS	Not recommended	Not recommended	20 YEARS	15 YEARS	Not recommended	Not recommended	30 YEARS	15 YEARS	Not recommended	Not recommended
		PAINT <sup>2</sup>	Not recommended in this environment				15 YEARS	15 YEARS			15 YEARS	15 YEARS			18 YEARS	15 YEARS		
	MAINTENANCE					Rain washing	Manual washing every 3 months			Rain washing	Manual washing every 6 months			Rain washing	Manual washing every year			
<b>ALTIMATE®</b>	RESIDENTIAL WARRANTIES	PERFORATION <sup>1</sup>	25 YEARS	20 YEARS	10 YEARS	15 YEARS	25 YEARS	20 YEARS	10 YEARS	15 YEARS	30 YEARS	20 YEARS	12 YEARS	15 YEARS	30 YEARS	25 YEARS	12 YEARS	15 YEARS
		PAINT <sup>2</sup>	15 YEARS	15 YEARS	10 YEARS	10 YEARS	15 YEARS	15 YEARS	10 YEARS	10 YEARS	15 YEARS	15 YEARS	10 YEARS	10 YEARS	18 YEARS	15 YEARS	10 YEARS	10 YEARS
	MAINTENANCE		Rain washing	Manual washing every 3 months	Manual washing every month	Manual washing every month	Rain washing	Manual washing every 3 months	Manual washing every month	Manual washing every month	Rain washing	Manual washing every 6 months	Manual washing every 3 months	Manual washing every 3 months	Rain washing	Manual washing every year	Manual washing every 6 months	Manual washing every 6 months

The above warranties are for residential buildings, the maximum warranty offered on non-residential properties is 20 years.



# Made to stand the test of time

## Warranty

As New Zealanders, we're more than used to extreme environments. In these areas, salt spray can produce highly corrosive conditions that may have a detrimental effect on the ongoing appearance and resilience of a building. Now, with the ever-increasing use of pre-painted profiled steel in both roofing and cladding, it has never been more important to select the appropriate material for your location and application. This is especially relevant where the cladding is not regularly washed by rain, such as underneath eaves.

Regular and thorough maintenance as described in previous pages by simply washing down is an essential requirement for unwashed areas and wall claddings. Refer to the table on pages 16-18 for information on residential warranty durations and maintenance requirements for each COLORSTEEL® product in different environments. The maximum warranty for corrosion and paint on non-residential buildings is 20 years.







NOTE: Buyers and users of New Zealand Steel Limited products and services must make their own assessment of the products for their own conditions. All queries regarding product specification, purpose or application should be directed to New Zealand Steel Limited, email [specifications@colorsteel.co.nz](mailto:specifications@colorsteel.co.nz). New Zealand Steel Limited reserves the right to modify products, techniques, equipment and statements to reflect improvements in the manufacture and application of its products. The information contained in this brochure is accurate as at August 2023 and supplied without prejudice to New Zealand Steel Limited's standard terms and conditions of sale. In the event of conflict between this information and the standard terms and conditions, the standard terms and conditions prevail. COLORSTEEL®, Maxx®, Endura®, Altimate®, Dridex®, FlaxPod®, TidalDrift® and SnowStone® are registered trademarks of New Zealand Steel Limited. Copyright© New Zealand Steel Limited, August 2023. 114842

COLORSTEEL.CO.NZ

