

VJ CP-Retainer

Concealed Paver Wind Uplift



We make the difference.
The Elmich Difference.



VJ CP-Retainer

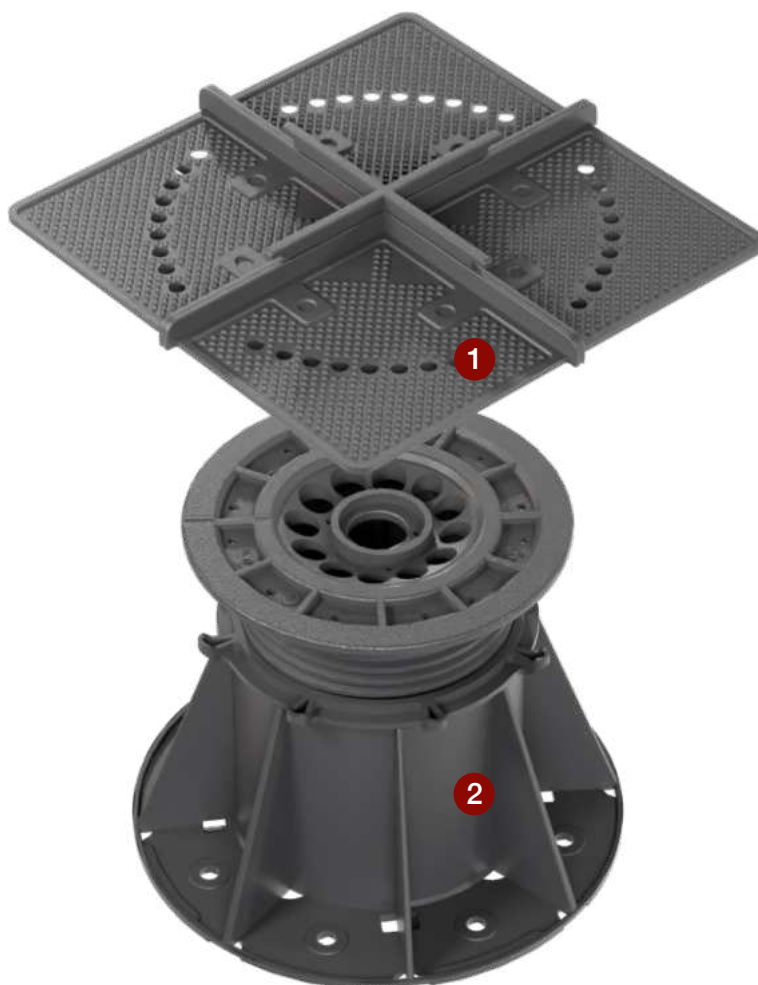
VJ CP-Retainer (CPR) is a patented concealed accessory that interlocks adjacent pavers installed on VersiJack® pedestals. CPR increases wind uplift resistance on exposed balconies and terraces in high-rise buildings and allows for the removal and re-installation of pavers for maintenance purposes.



About VJ CP-Retainer

Paver corners adhere to the corner plates of CPR and are fastened on the VersiJack® pedestal. This setup interlocks the pavers together and increases the effective weight of each paver by utilising a portion of the weight from adjacent pavers, increasing the force required to uplift the pavers.

CPR not only meets the key requirements for maintenance access for raised floor systems by allowing easy removal and re-installation of pavers, it is also time-cost efficient as pavers do not need to be modified to be compatible with the CPR.



1 VJ CP-Retainer

2 VersiJack® Pedestal

Distinctive Features

- CPR offers three different Corner Plate configurations, allowing for standard and staggered paver layouts and the installation of pavers along the perimeter.
- CPR is easily removable to access the waterproof membrane or service lines (if required).
- After inspection, pavers can be re-installed onto CPR without the need for specialised tools.
- Pavers do not require any modification. CPR will cater for all pavers.



Standard Paver Layout

Using 4 Quarter Plates on VersiJack® pedestal.



Staggered Paver Layout

Using 2 Quarter Plates and 1 Half Plate on VersiJack® pedestal.



Support at Perimeter/Midspan

Using 2 Half Plates on VersiJack® pedestal.



Technical Specifications

VJ CP-Retainer

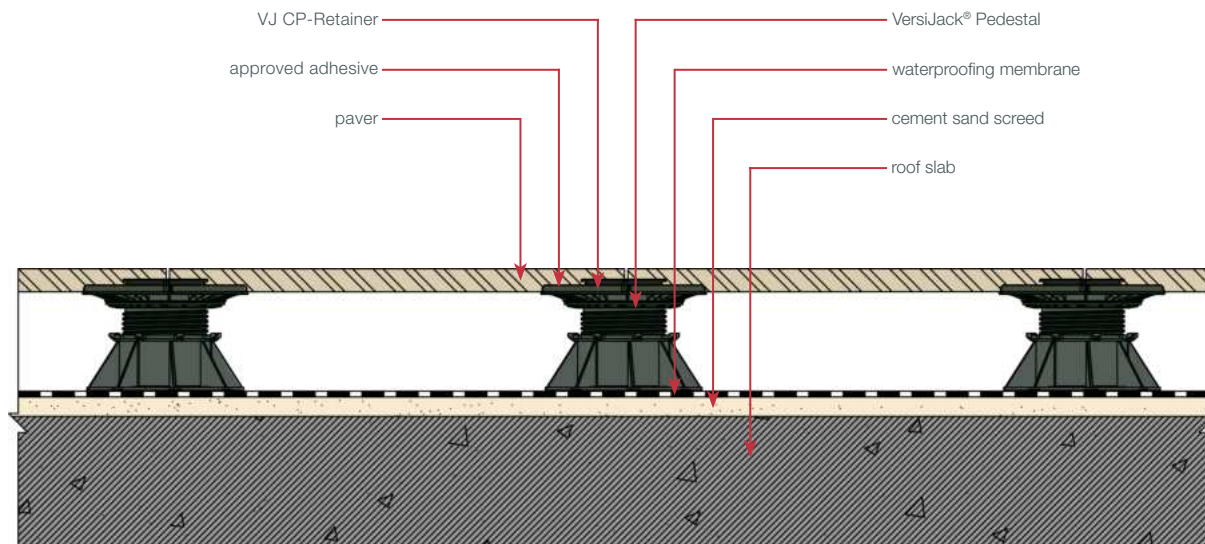
Material	Engineering plastic	
Dimensions	200 (L) x 200 (W) x 12.5 (H) mm	
Wind uplift resistance*	Stack Pattern	Brick Pattern
(based on a 600 x 600 x 20 mm porcelain paver)	>8.0 kPa	>10.0 kPa
	>3.0 kN	>3.5 kN

*For the results shown above, four 6G x 20 mm countersunk self-tapping screws were used to secure the CPR Base onto the VersiJack® pedestal. The screws were flushed with the top of the CPR Base.

Adhesive

Adhesive type and usage rate as approved by Elmich.

Typical Details



The Elmich security hologram ensures authenticity of the products.



Elmich Pte Ltd

t +65 6356 2800
e info@elmich.com

Singapore • Australia • Malaysia
Switzerland • Germany • USA

Note The information provided in this brochure is based on current knowledge and experience and does not infer any legally binding assurance or warranty, expressed or implied. Intending purchasers should verify whether any changes to specifications or applications or otherwise have been made since the issue of this literature. Environmentally-friendly recycled materials are used in product manufacture wherever possible. Physical product properties including colour may differ due to source of raw materials used. Colour may also fade due to UV exposure. All components of the product are designed for specific application, design calculations and any variation and/or deviation therefrom shall be the responsibility of the specifier and/or user.