



NEW

# DEKTON® SLIM

designed by COSENTINO



Ultra-Thin ⇄ **Large Format & Proven Performance**







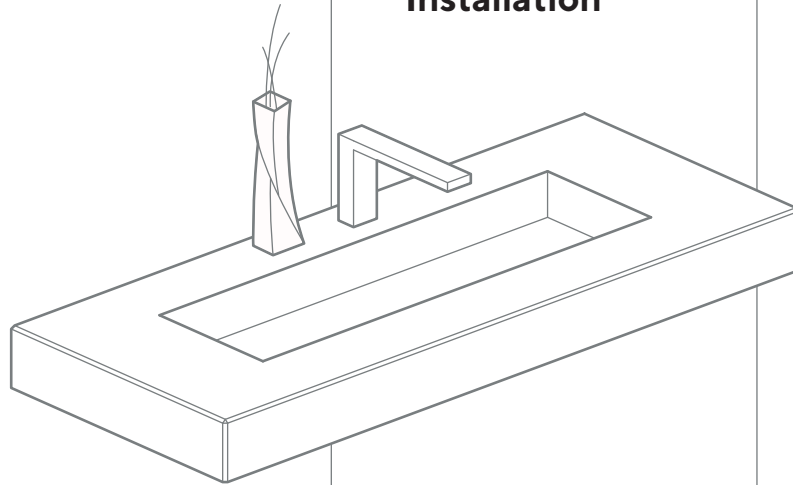
DEKTON® SL|M

**Presenting Dekton® Slim, the new, large format surface with an ultra-thin 4-mm thickness that offers unlimited design options and incredible ease of installation and transport.**

Its lightness and reduced thickness makes it the most durable, high-performance surface for bathroom and kitchen cladding, as well as all types of furniture (doors, drawers, etc.).

4

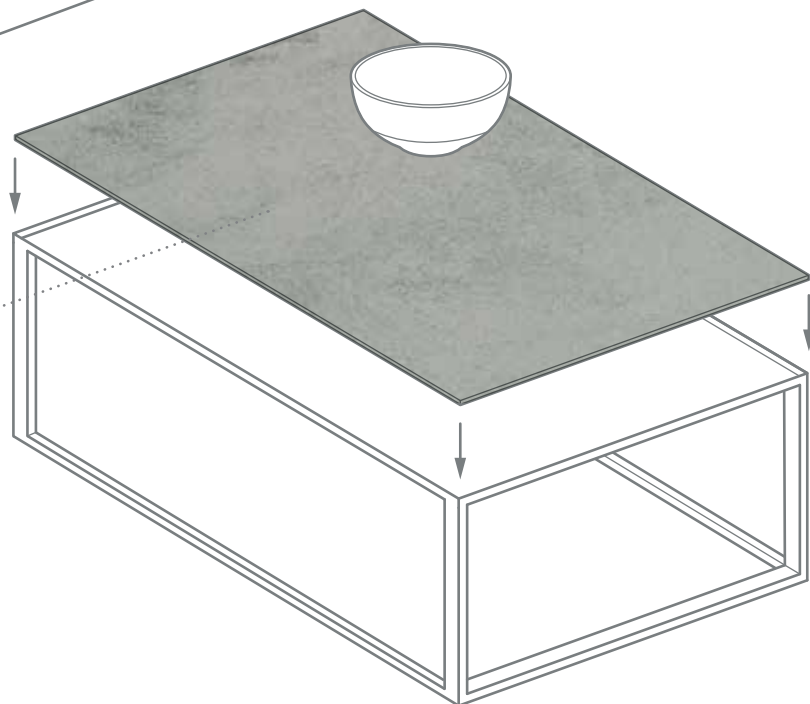
### Easy Installation



3

### Furniture Cladding

Transforms your home furniture with beautiful, highly resistant surfaces.





1

### Bathroom Cladding

Maximum resistance against humidity with minimal joints.



2

### Kitchen Cladding

Reduced thickness, infinite possibilities





# 1

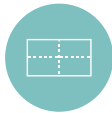
## Bathroom Cladding

### Maximum resistance against humidity and minimal joints with Dekton Slim®.



Ideal for bathrooms, Dekton® Slim offers cladding that is ultra-resistant to humidity and stains. A high-performing product that does not require any more maintenance beyond a damp cloth.

Its large format measuring 3.200 mm x 1.440 mm covers large surfaces, avoiding a large number of joints and in turn, dirt.



Fewer Joints  
Greater Hygiene



Surfaces measuring  
3.200 x 1.440 mm



Cut to measure  
Limitless customisation



Same stain and scratch  
resistance as other  
Dekton formats





2

## Kitchen Cladding

### Reduced thickness, infinite possibilities



The ultra-thin Dekton<sup>®</sup> Slim surface, with a thickness of 4 mm, is ideal for the cladding of kitchen walls and cupboards, resulting in a harmonious blend with countertops of different thicknesses.

Dekton<sup>®</sup> Slim is scratch-, heat and stain-resistant, just like its other formats.



Surfaces measuring  
3.200 x 1.440 mm



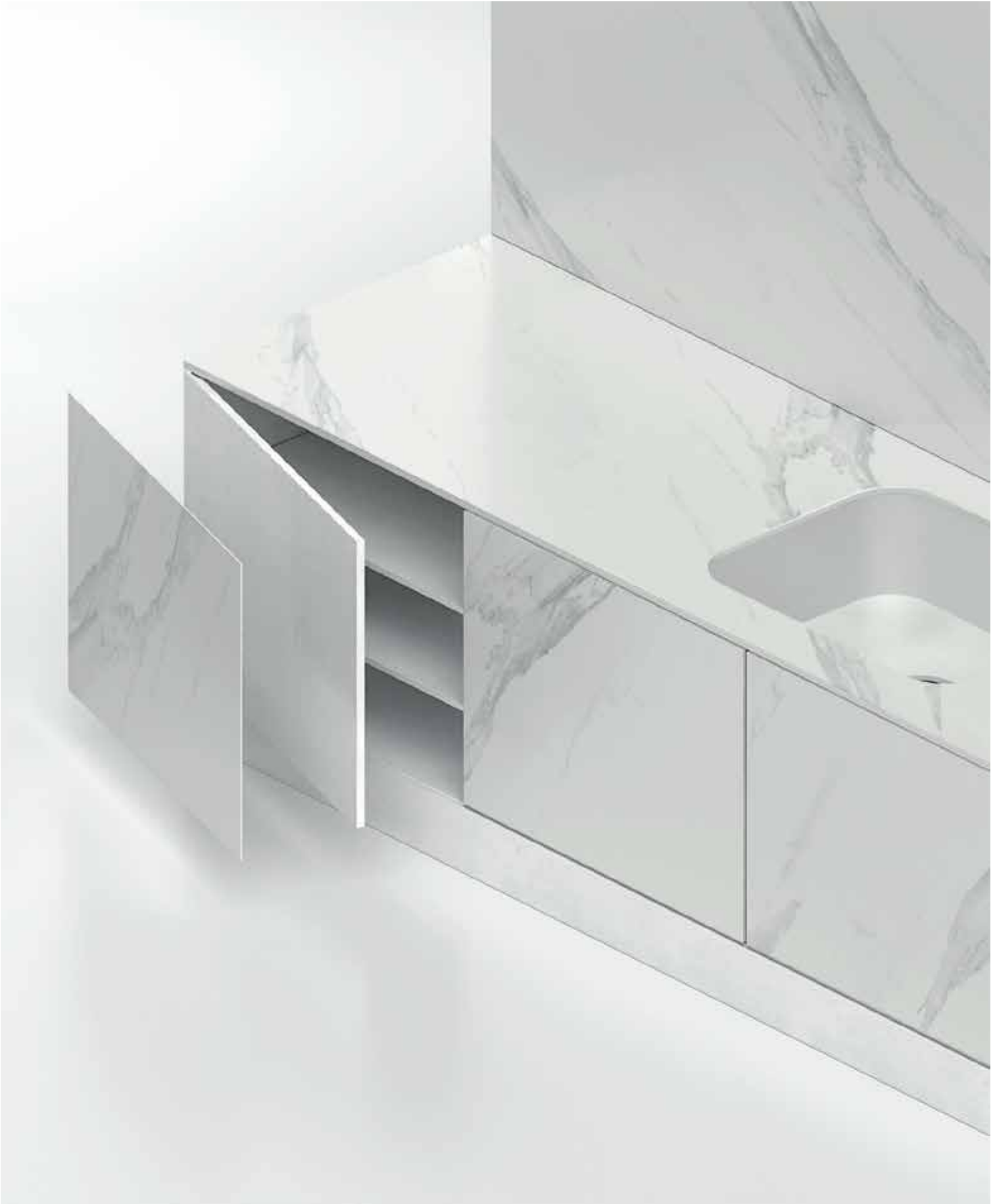
Same stain and scratch  
resistance as other  
Dekton formats

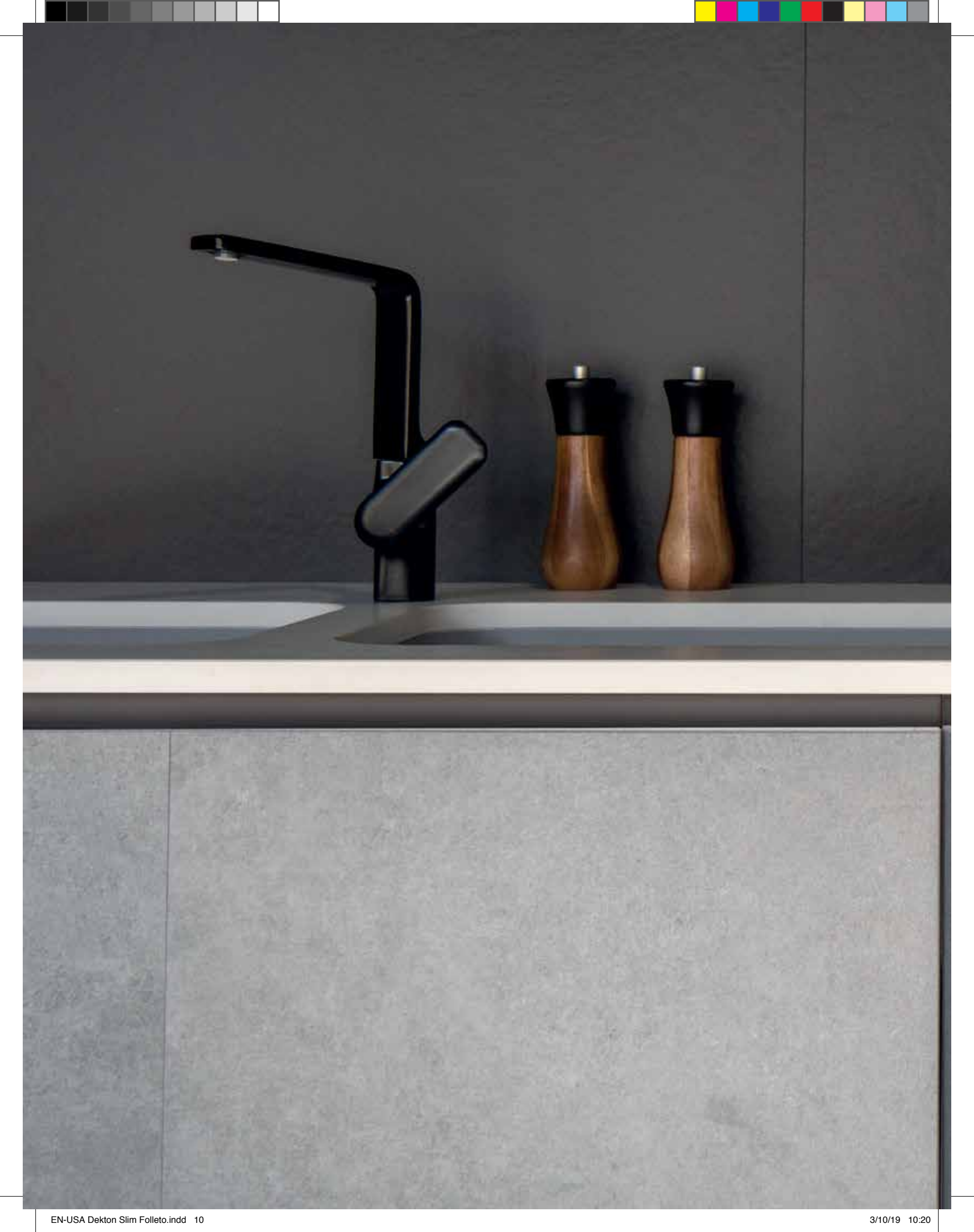


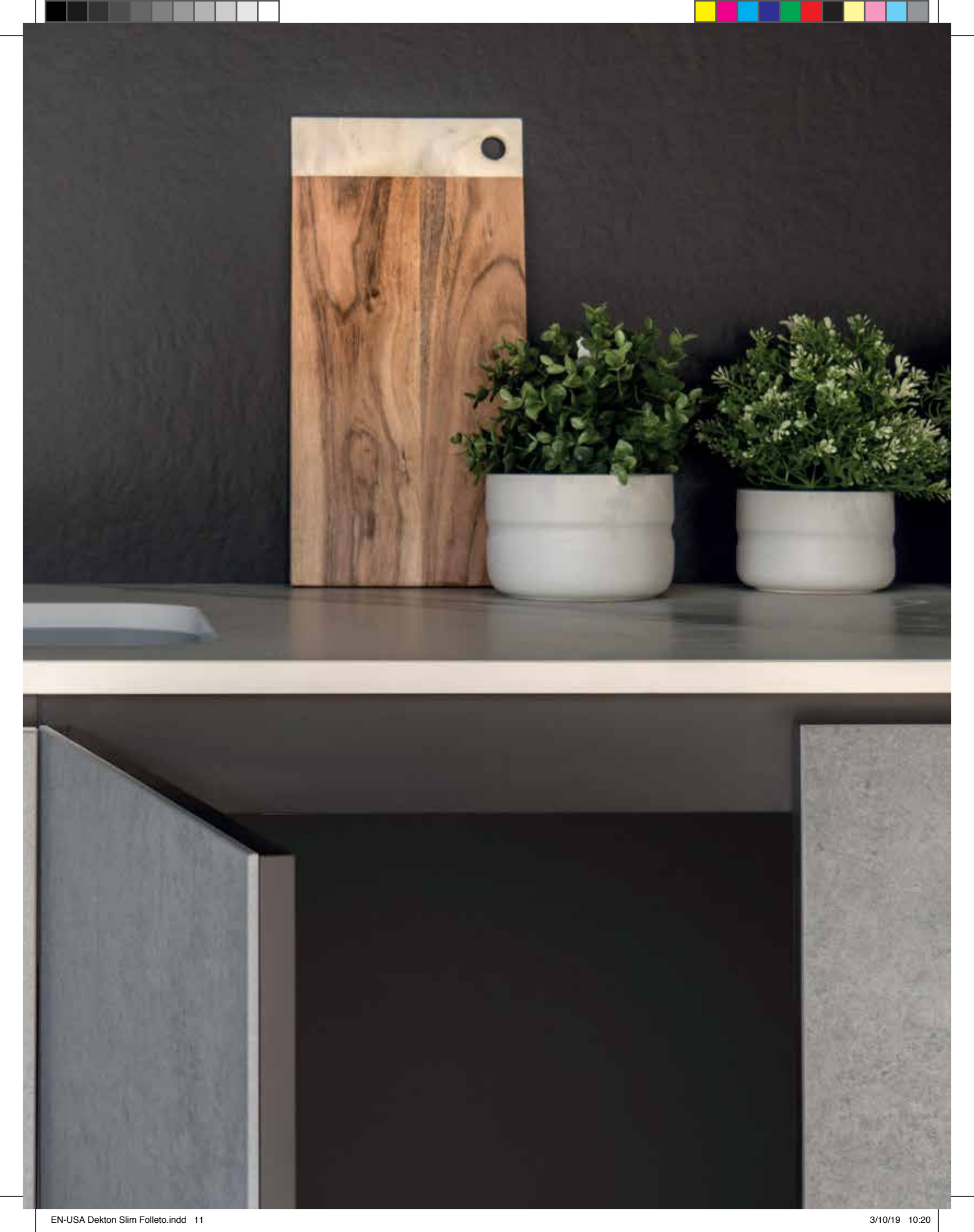
Cut to measure  
Limitless customisation

Dekton Slim is not suitable for kitchen countertops.













# 3

## Furniture Cladding

### Transforms your home furniture with beautiful, highly resistant surfaces



Dekton® Slim creates furniture with unprecedented performance: tables that are extremely resistant and doors that neither scratch nor stain. The design possibilities are endless since it is cut to measure and easy to install.



### Limitless Design

Dekton® Slim is very simple to install and can be cut with great ease. It is the ideal surface to personalise your furniture with innovative designs.

Whatever you can imagine, Dekton® Slim can do it for you.



Cut to measure  
Limitless customisation



Same stain and scratch resistance as other Dekton formats



# 4

## Easy Installation

### Everything is easier with Dekton<sup>®</sup> Slim



Thanks to its light format with an array of possibilities, everything just got a lot simpler. Its reduced thickness means it can be cut quickly and adjustments can be made on-site with tools for ceramic tiles. Dekton Slim is a material without internal tension, so it is not necessary to release it by cutting it. With a lightness of 10 kg/m<sup>2</sup>, it is so easy to install.

It is important to read and familiarise yourself with the safety measures in order to handle construction materials.



At Cosentino we offer personalised Customer service. Ask as many questions as you like to ensure you get all the information you need.

Find your nearest Cosentino Centre at [www.cosentino.com](http://www.cosentino.com)



Easy to Cut and Create



Easy to Handle and Transport



Easy to Install



Personalised Customer Service

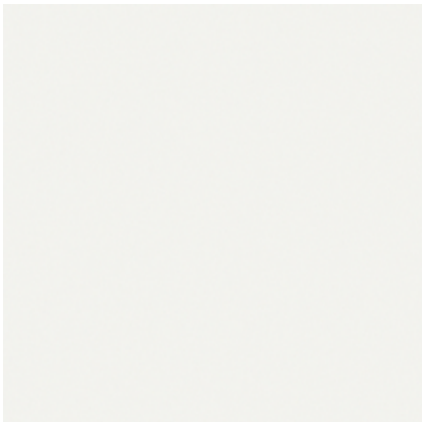




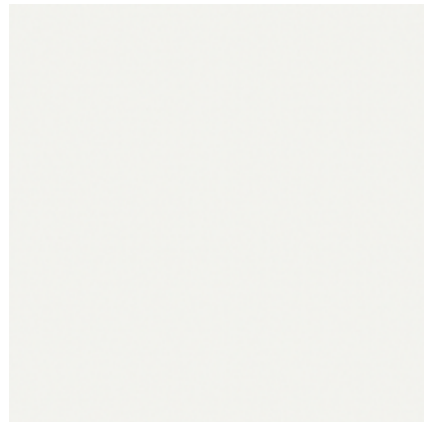


# Available Colours

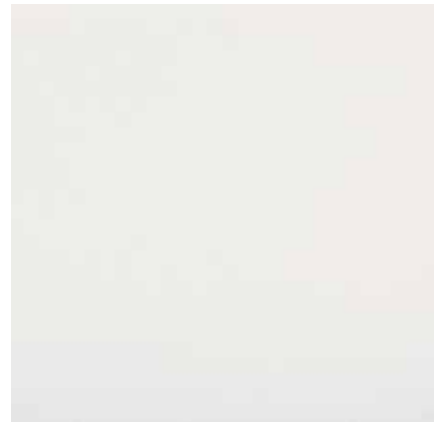
Check out our new colours at [cosentino.com](http://cosentino.com)



Halo - XGLOSS Solid



Zenith - SOLID Collection



Nayla\* - NATURAL Collection



Aura 15 - NATURAL Collection



Opera - NATURAL Collection



Natura 18 - XGLOSS Natural



Lunar - INDUSTRIAL Collection



Edora\* - NATURAL Collection



Sasea - NATURAL Collection





Bergen - STONIKA



Arga - STONIKA



Kovik - NATURAL Collection



Kreta - INDUSTRIAL Collection



Sirocco - NATURAL Collection



Trilium - INDUSTRIAL Collection



Laos - INDUSTRIAL Collection



Bromo - NATURAL Collection



Kelya - NATURAL Collection



Sirius - SOLID Collection

Note\* is not stocked and may incur a longer lead time.

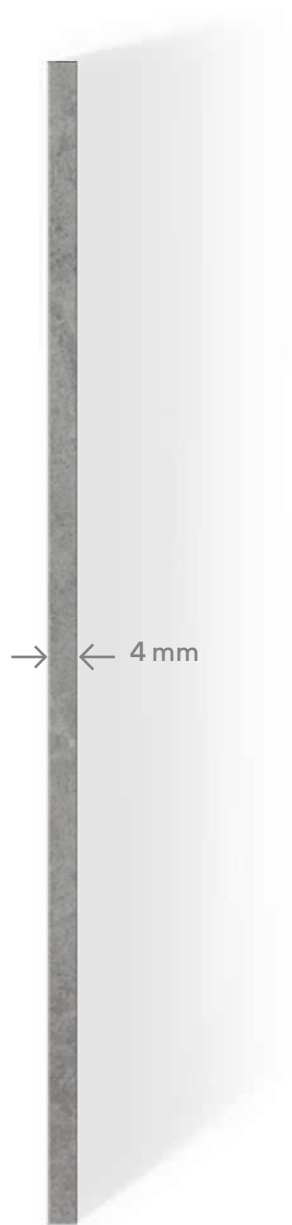


## Packaging and Handling

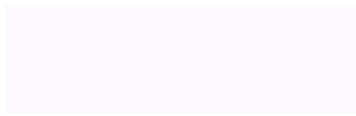
Dekton Slim is sold in packages of 10 or 5 slabs. For larger projects, the packaging will be optimised in trestles, depending on the project requirements.

We recommend ordering the material with mesh on the back, as handling is improving. This material is handled with tools for large-format transport.





Ultra-Thin ⇄ **Large Format & Proven Performance**



\*\* Get information on NSF-certified colours at [www.nsf.org](http://www.nsf.org)

A product designed by **COSENTINO**

Cosentino Oceania  
BRISBANE SYDNEY MELBOURNE ADELAIDE PERTH AUCKLAND  
AU PH: 02 8311 1518 NZ PH: 09 274 9406 [www.cosentino.com](http://www.cosentino.com)

   @Cosentino\_Aust

R1 10/19

