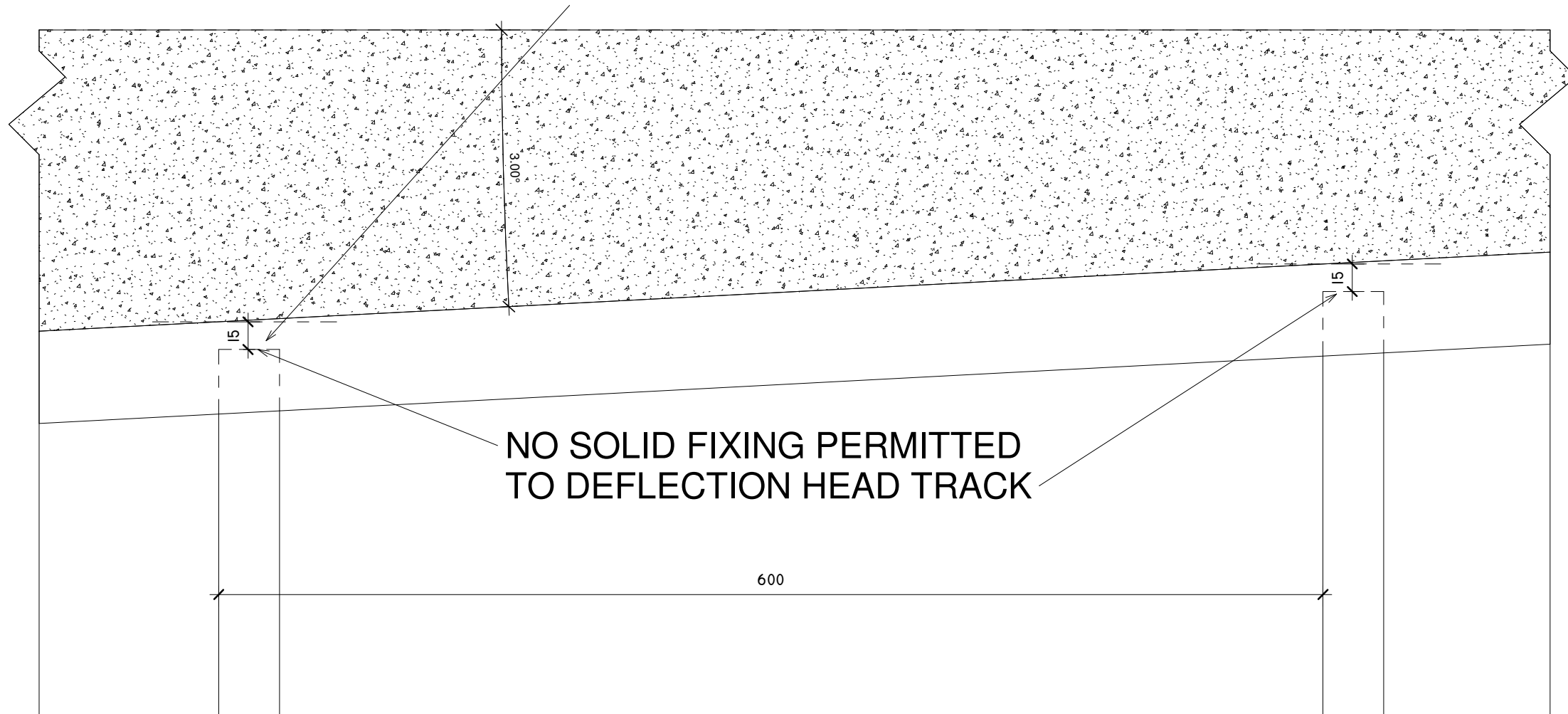


STANDARD SRP DEFLECTION GAP  
OR PROJECT ENGINEERS RECCOMENDATION



**RAKING DEFLECTION HEAD TRACK**



DWG TITLE:	RAKING DEFLECTION HEAD TRACK	DWG #:	A102	CLIENT:	SRP	DRAWN BY:	AH
SCALE:	1 : 2	PROJECT:	DETAILS	PROJECT ADDRESS:	Enter address here	ISSUE DATE:	23/08/18

27B OLIVE ROAD, PENROSE, AUCKLAND 1061

PH: 0800 579 017

THIS DRAWING IS PROVIDED FOR INFORMATIONAL PURPOSES ONLY. IF USED FOR CONSTRUCTION, THE CONTRACTOR ASSUMES ALL RESPONSIBILITY FOR LOCAL CODE COMPLIANCE. ALL DRAWINGS, PLANS, SKETCHES ETC. ARE PROVIDED TO OUR CLIENTS BASED UPON INFORMATION PROVIDED BY THE CLIENT AND DRAWN IN ACCORDANCE WITH COMMON BUILDING PRACTICES AND LOCAL CODES. NONE OF THE EMPLOYEES OF STEEL ROLLFORMED PRODUCTS LTD ARE REGISTERED ARCHITECTS, ENGINEERS OR LAND SURVEYORS. ALL DIMENSIONS AND SPECIFICATIONS SHOULD BE VERIFIED BY CLIENT AND/OR CONTRACTOR BEFORE ACTUAL CONSTRUCTION BEGINS. IF DIMENSIONS AND SPECIFICATIONS ARE NOT VERIFIED BY CLIENT AND/OR CONTRACTOR BEFORE ACTUAL CONSTRUCTION BEGINS STEEL ROLLFORMED PRODUCTS LTD WILL BE HELD HARMLESS. STEEL ROLLFORMED PRODUCTS LTD ASSUMES NO LIABILITY FOR CHANGES AND/OR REVISIONS MADE TO PLANS BY CLIENT AND/OR CONTRACTOR.