

Sanifos®



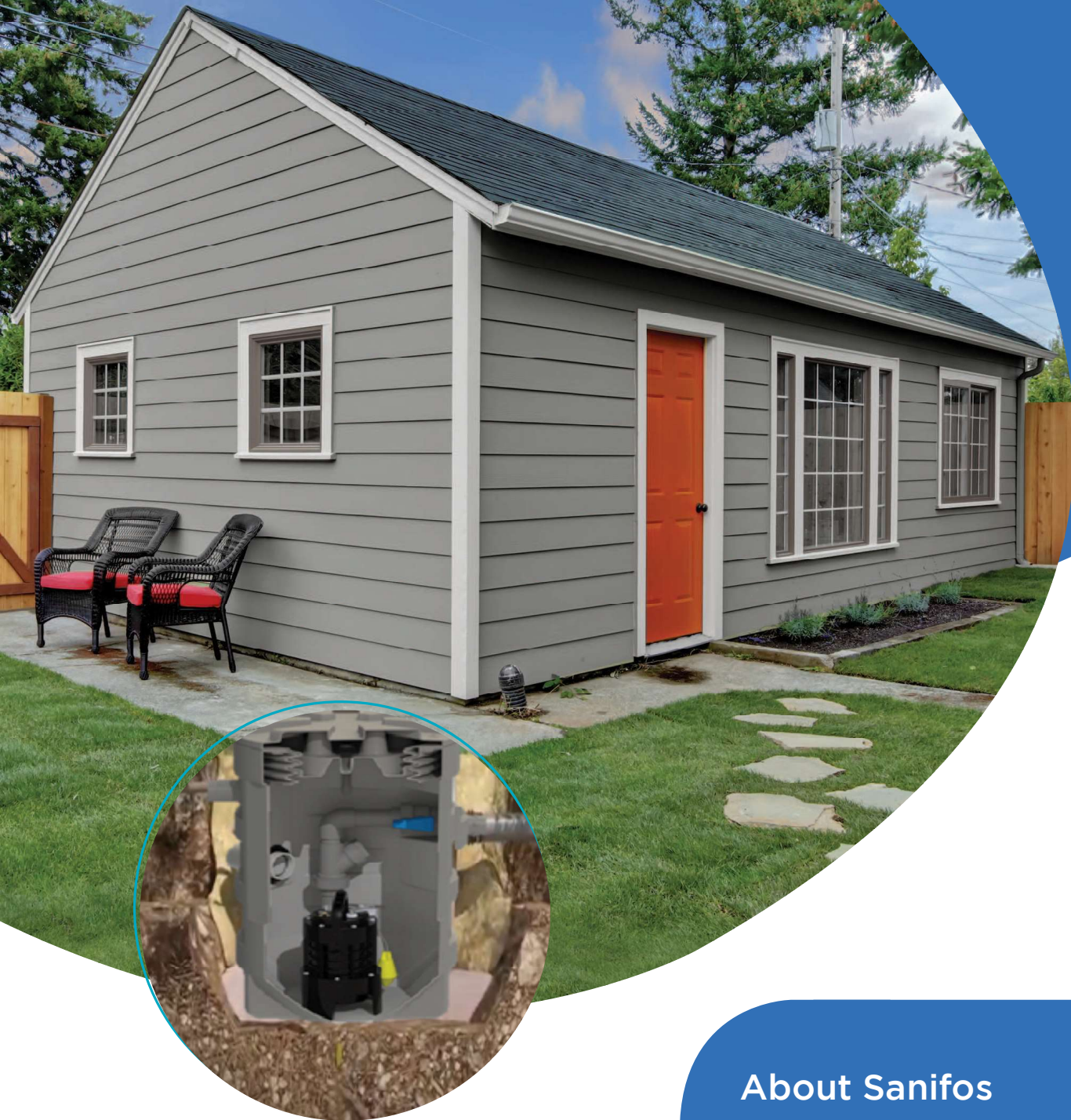
CHAMBERS

INGROUND PUMP



Saniflo  SFA GROUP

Shaking up water



INTRODUCTION

SFA, the makers of Saniflo, are introducing a range of Inground Pump Chambers into Australia called Sanifos.

Sanifos comprises a range of fully packaged Inground Pump Chambers, which carry the same quality and aftersales service standards Saniflo SFA is so well known for.

About Sanifos

Like Saniflo, Sanifos is a brand created and owned by the French SFA group. For over 60 years the SFA Group's goal has been to allow one to easily install toilets, showers, sinks, kitchens, baths and hand basins literally anywhere. From its early beginnings as the inventor of the domestic macerating system, the SFA Group is today amongst the main companies providing pump solutions worldwide.

PRODUCT	PUMP OPTIONS	SELECTION	GREY WATER	BLACK WATER	STORM WATER	H MAX (M)	Q MAX L/MIN
SANIFOS 280	Sanipump Cutter		✓	✓		11	216 L/min
SANIFOS 610	Sanipump Cutter		✓	✓		11	216 L/min
	Sanipump SLD 700		✓		✓	11	583 L/min
SANIFOS 1000 2000 3000	Sanipump Cutter					11	216 L/min
	Sanipump SLD 700		✓	✓	✓	11	583 L/min
	Sanipump ZFS 71					20	266 L/min
SANIFOS 1300	Sanipump Cutter		✓	✓		11	216 L/min



Sanifos® 280

The Sanifos® 280 is a packaged pumping station designed for smaller single dwelling use such as granny flats and is an efficient solution where gravity reliant sewerage systems are not possible due to limited site access and site constraints such as property sloping away from the sewer infrastructure.



WHY CHOOSE THIS PRODUCT?

Ideal for small single dwelling residential or small commercial applications

Tough reliable cutter pump suitable for heavy usage

Compact space saving tank design

Engineered to Australian Standards AS1546

Wired high level alarm

Choice of optional inlet connection points

Working temperature of 70°C max for short periods

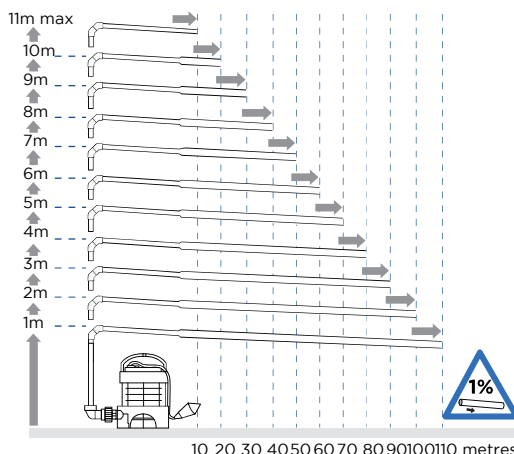
IP68 rated

Complete package ready to install. Includes internal pipework, non return and ball valve supplied

Energy saving and reduced motor wear thanks to large working volume

VERTICAL/HORIZONTAL PERFORMANCE

Increase size of horizontal run by one pipe size after 5m. All horizontal pipework requires a minimum of 1:100 fall.



APPLICATIONS



TOILET



HAND BASIN



BATH



SHOWER



WASHING MACHINE



DISH WASHER



KITCHEN SINK

Product Reference:
SA305

Sanipump Cutter



Robust blade suitable for heavy usage





APPLICATIONS



TOILET



HAND
BASIN



BATH



SHOWER



WASHING
MACHINE



DISH
WASHER



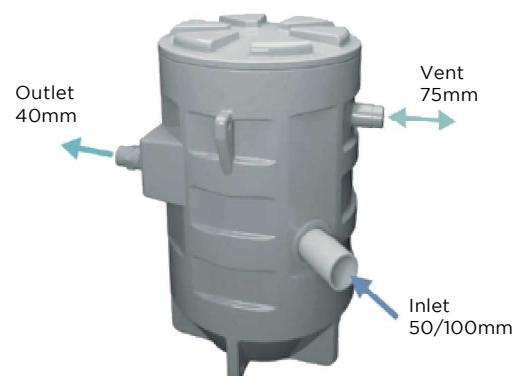
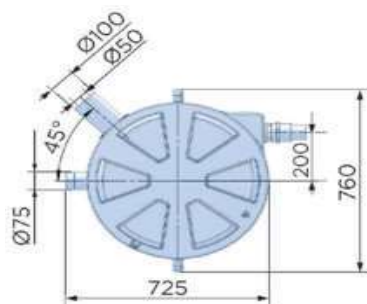
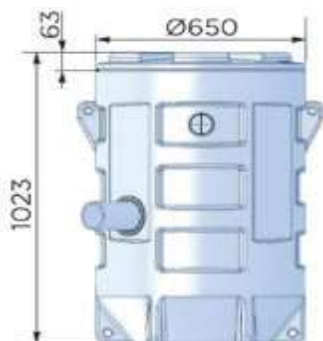
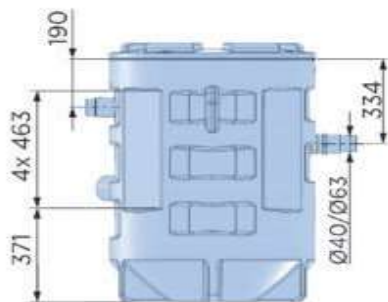
KITCHEN
SINK

SANIFOS 280

Product Reference:
SA305

TECHNICAL CHARACTERISTICS

Discharge Pipework	40 mm
Motor Power Sanipump Cutter	1500 Watts
Maximum Current Draw	6 A
Voltages	220-240 V/50 Hz
Tank Volume	280 L
Working Waste Water Temp	35°C/Max 70°C (intermittent)
Overall Measurements	1023 x 760 mm
Inlet Pipework	40/50/100 mm
IP Rating	IP68
Max Discharge Sanipump Cutter	216 L/min
Weight	38 kg



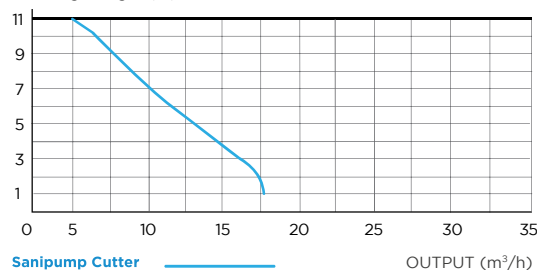
Comes with wired
high level alarm



Optional tank
extension ring

FLOW RATE PERFORMANCE CHART

Discharge height (m)



SFA GROUP
Shaking up water

Made in France to the highest standards, needs to be installed by a licensed plumber



APPLICATIONS



TOILET



HAND BASIN



BATH



SHOWER



WASHING MACHINE



DISH WASHER



KITCHEN SINK



STORM WATER

Sanifos® 610

The Sanifos® 610 is packaged pumping station for single dwelling use is an efficient solution where gravity reliant sewerage and storm water systems are not possible due to limited site access and site constraints such as property sloping away from the sewer or storm water infrastructure.

Product Reference:

Sanipump Cutter - SA303
Sanipump SLD 700 - SA302



SA303

WHY CHOOSE THIS PRODUCT?

Ideal for single dwelling residential or small commercial applications

The choice of tough reliable macerator or dedicated storm water pumps

Compact space saving tank design

Engineered to Australian Standards AS1546

Wired high level alarm

Choice of optional inlet connection points

Working temperature of 70°C max for short periods

IP68 rated

Complete package ready to install. Includes internal pipework, non return and ball valve supplied.

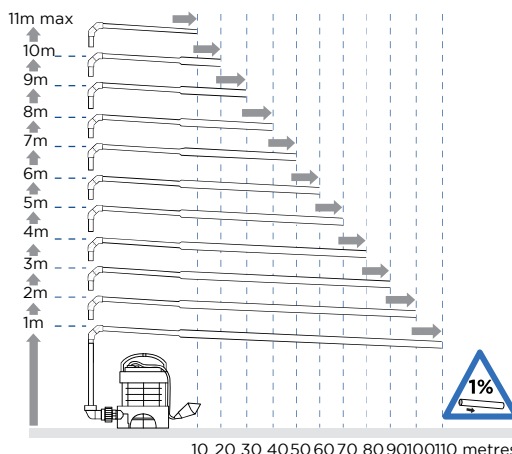
Energy saving and reduced motor wear thanks to large working volume.



SA302

VERTICAL/HORIZONTAL PERFORMANCE

Increase size of horizontal run by one pipe size after 5m. All horizontal pipework requires a minimum of 1:100 fall.



Sanipump Cutter



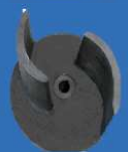
Robust blade suitable for heavy usage



Sanipump SLD 700 SA

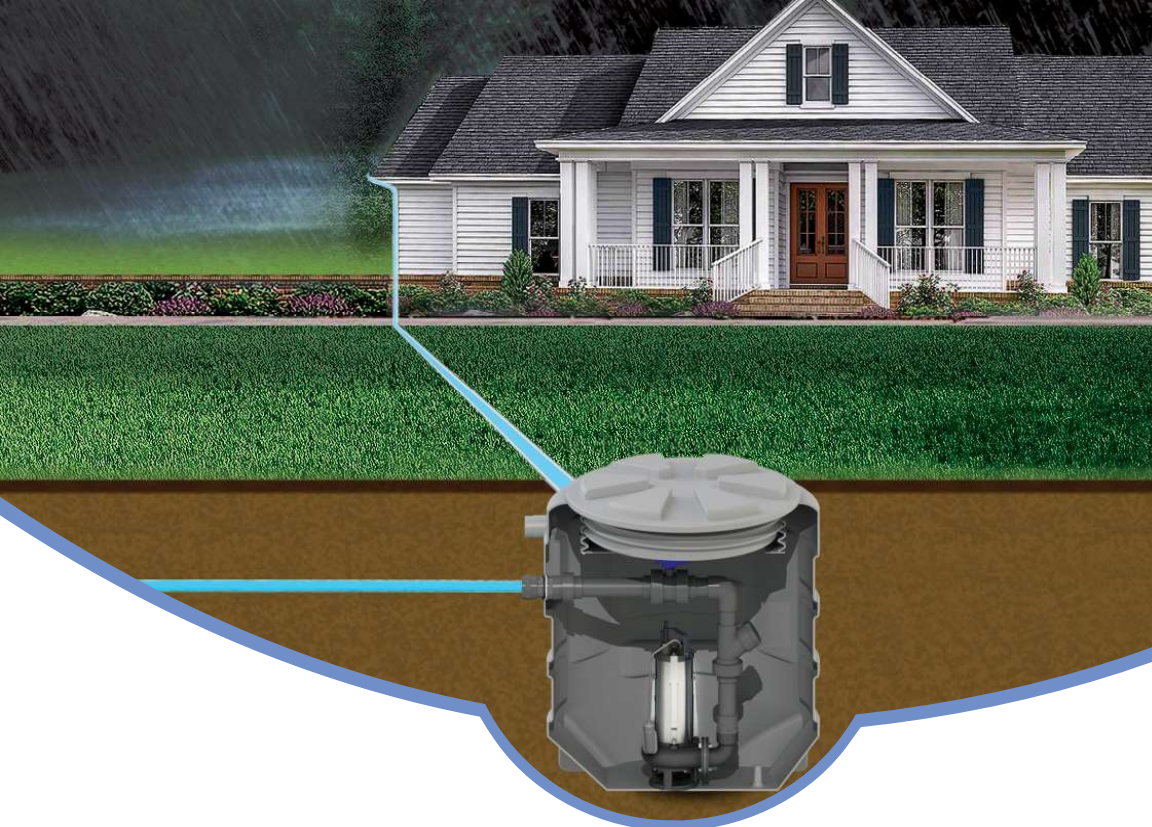


High performance twin channel impeller



Shaking up water

Made in France to the highest standards, needs to be installed by a licensed plumber



APPLICATIONS



TOILET



HAND BASIN



BATH



SHOWER



WASHING MACHINE



DISH WASHER



KITCHEN SINK



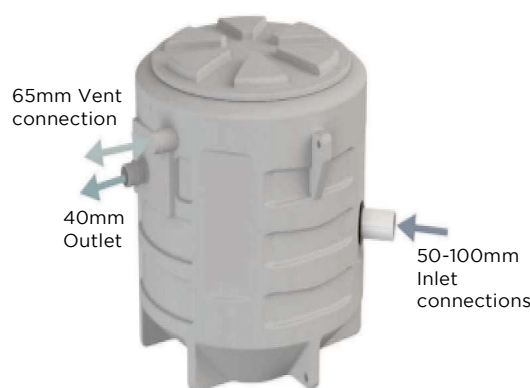
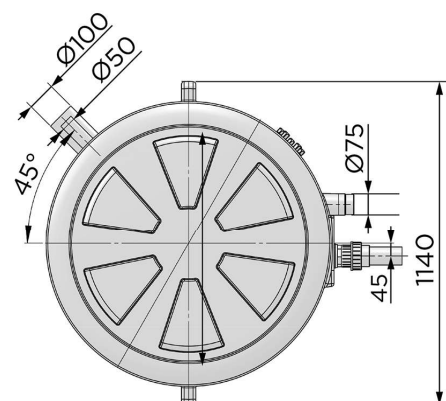
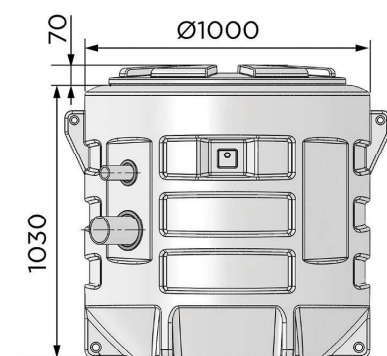
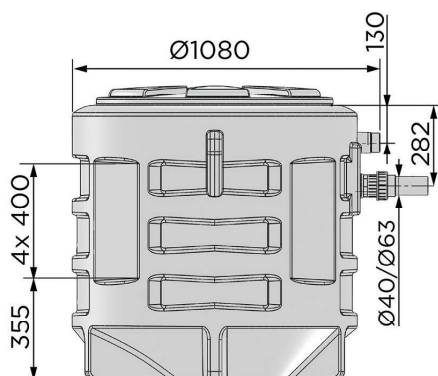
STORM WATER

Product Reference:

Sanipump Cutter - SA303
Sanipump SLD 700 - SA302

TECHNICAL CHARACTERISTICS

Discharge Pipework	40 mm
Motor Power Sanipump Cutter	1500 Watts
Motor Power Sanipump SLD 700	1100 Watts
Voltages	220-240 V/50 Hz
Tank Volume	610 L
Working Waste Water Temp	35°C/Max 70°C (intermittent)
Overall Measurements	1140 x 1000 mm
Inlet Pipework	40/50/100 mm
IP Rating	IP68
Max Discharge Sanipump Cutter	216 L/min
Impeller Sanipump SLD 700 SA	583 L/min

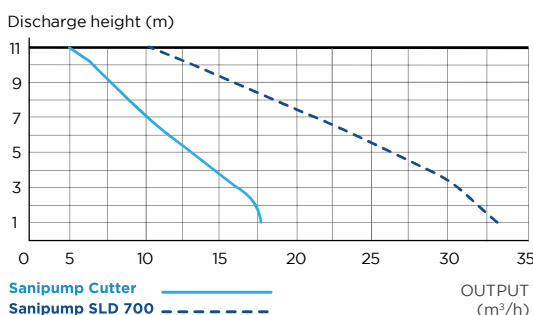


Comes with wired high level alarm



Optional tank extension ring

FLOW RATE PERFORMANCE CHART



Made in France to the highest standards, needs to be installed by a licensed plumber



Sanifos® 1000

The Sanifos® 1000 packaged pumping station is designed for large-medium residential or commercial use and is an efficient solution where gravity reliant sewerage or stormwater systems are not possible due to limited site access and site constraints such as property sloping away from the sewer and stormwater infrastructure.



WHY CHOOSE THIS PRODUCT?

Ideal for larger single dwelling residential or commercial applications

Choice of 3 high performance pumps to suit your project

Compact space saving tank design

Engineered to Australian Standards AS1546

Pump controller or high level alarm options

Choice of optional inlet connection points

Working temperature of 70°C max for short periods

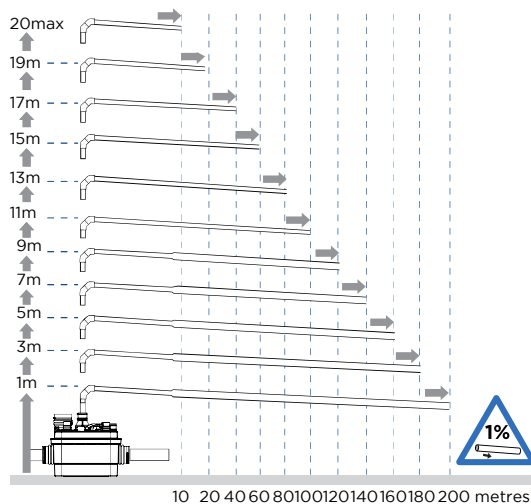
IP68 rated

Complete package ready to install. Includes dual pumps internal pipework, non return and ball valve supplied

Energy saving and reduced motor wear thanks to large working volume

VERTICAL/HORIZONTAL PERFORMANCE

Increase size of horizontal run by one pipe size after 5m. All horizontal pipework requires a minimum of 1:100 fall.



APPLICATIONS



TOILET



HAND BASIN



BATH



SHOWER



WASHING MACHINE



DISH WASHER



KITCHEN SINK



STORM WATER

Product Reference: SA301

Sanipump Cutter



Robust blade suitable for standard usage

Sanipump ZFS 71



Heavy duty adjustable cutter for intense usage

Sanipump SLD 700

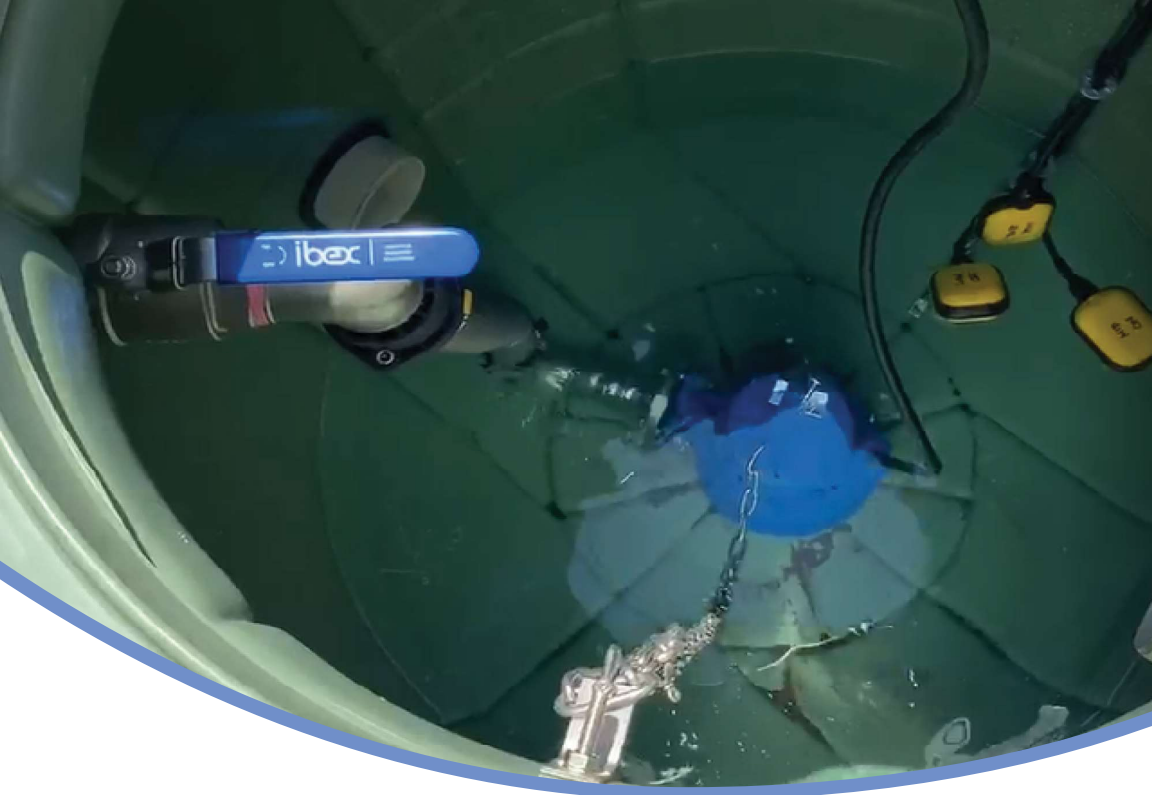


High performance twin channel impeller



Shaking up water

Made in France to the highest standards, needs to be installed by a licensed plumber



APPLICATIONS



TOILET



HAND
BASIN



BATH



SHOWER



WASHING
MACHINE



DISH
WASHER



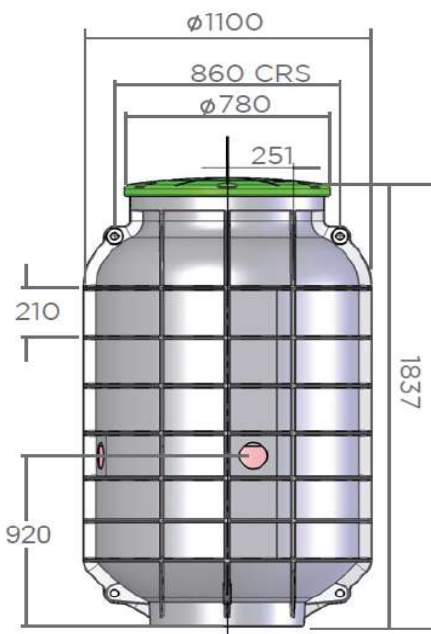
KITCHEN
SINK



STORM
WATER

SANIFOS 1000

Product Reference:
SA301

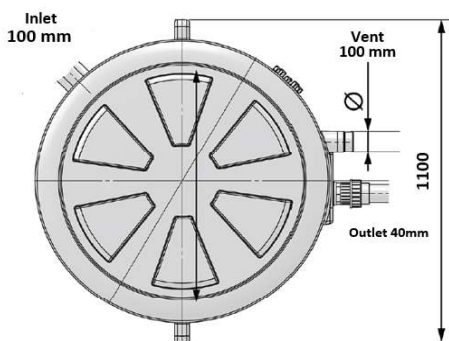


TECHNICAL CHARACTERISTICS

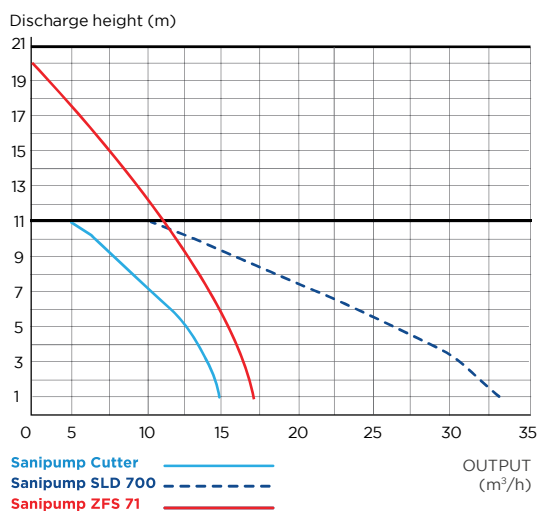
Discharge Pipework	40 mm
Motor Power Sanipump Cutter	1500 Watts
Motor Power Sanipump SLD 700	1100 Watts
Motor Power Sanipump ZFS 71	2200 Watts
Voltages	220-240 V/50 Hz
Tank Volume	1000 L
Working Waste Water Temp	35°C/Max 70°C (intermittent)
Overall Measurements	1837 x 1100 mm
Inlet Pipework	40/50/100 mm
IP Rating	IP68
Max Discharge Sanipump Cutter	216 L/min
Max Discharge Sanipump SLD 700 SA	583 L/min
Max Discharge Sanipump ZFS 71	266 L/min



Full function pump
controller with manual
override, high level
audible alarm and strobe



FLOW RATE PERFORMANCE CHART



 **SFA** GROUP
Shaking up water

Made in France to the highest
standards, needs to be installed
by a licensed plumber



Sanifos® 1300

The Sanifos® 1300 packaged pumping station is designed for large-medium residential or commercial use and is an efficient solution where gravity reliant sewerage systems are not possible due to limited site access and site constraints such as property sloping away from the sewer or infrastructure.



WHY CHOOSE THIS PRODUCT?

Ideal for larger single dwelling residential or commercial applications

Tough robust cutter blade assembly

Compact space saving tank design

Engineered to Australian Standards AS1546

Intelligent controller with high level alarm

Choice of optional inlet connection points

Working temperature of 70°C max for short periods

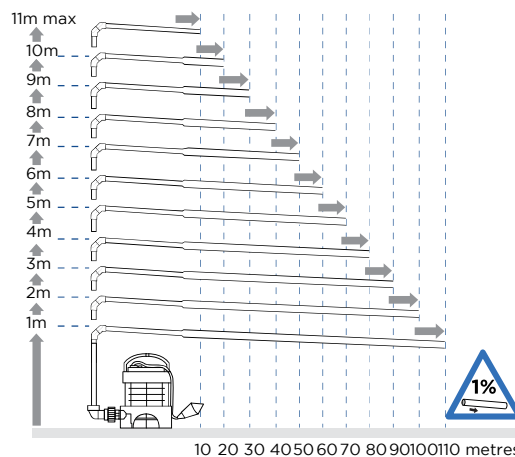
IP68 rated

Complete package ready to install. Includes dual pumps internal pipework, non return and ball valve supplied

Energy saving and reduced motor wear thanks to large working volume and shared duty cycle

VERTICAL/HORIZONTAL PERFORMANCE

Increase size of horizontal run by one pipe size after 5m. All horizontal pipework requires a minimum of 1:100 fall.



APPLICATIONS



TOILET



HAND BASIN



BATH



SHOWER



WASHING MACHINE



DISH WASHER



KITCHEN SINK

Product Reference: SA304



Sanipump GR



Robust blade suitable for heavy usage



APPLICATIONS



TOILET



HAND BASIN



BATH



SHOWER



WASHING MACHINE



DISH WASHER



KITCHEN SINK

Product Reference:
SA304



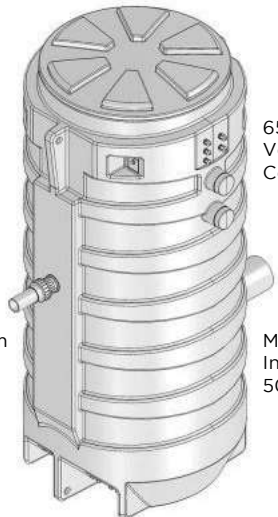
Smart control box



Alarm box (HF)

TECHNICAL CHARACTERISTICS

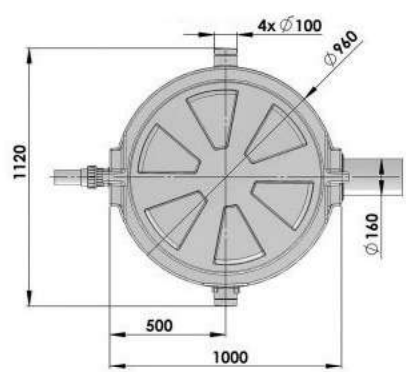
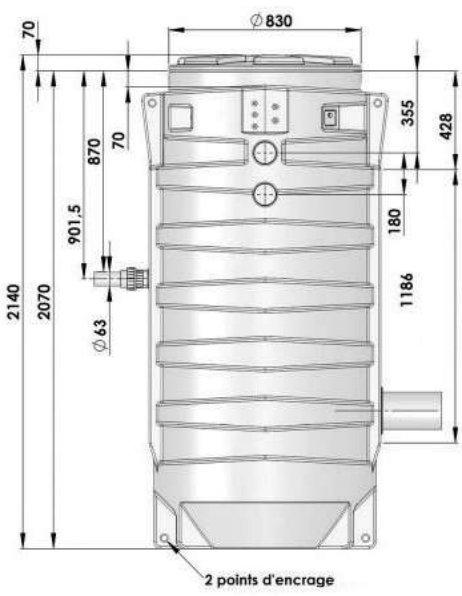
Discharge Pipework	40 mm
Motor Power Sanipump Cutter	2 X 1500 Watts
Weight	116 kg
Voltages	220-240 V/50 Hz
Tank Volume	1300 L
Working Waste Water Temp	35°C/Max 70°C (intermittent)
Overall Measurements	2140 x 1120 mm
Inlet Pipework	50/100 mm
IP Rating	IP68
Max Discharge Sanipump Cutter	216 L/min
Maximum Recommended Head	11 metres



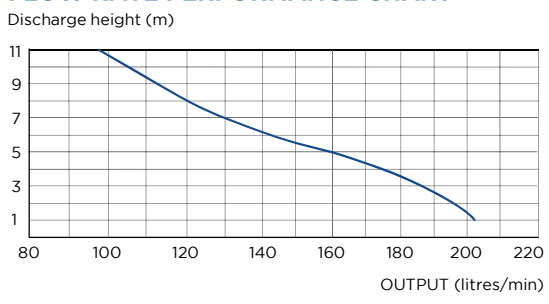
65/100 mm Vent Connection

40 mm Outlet

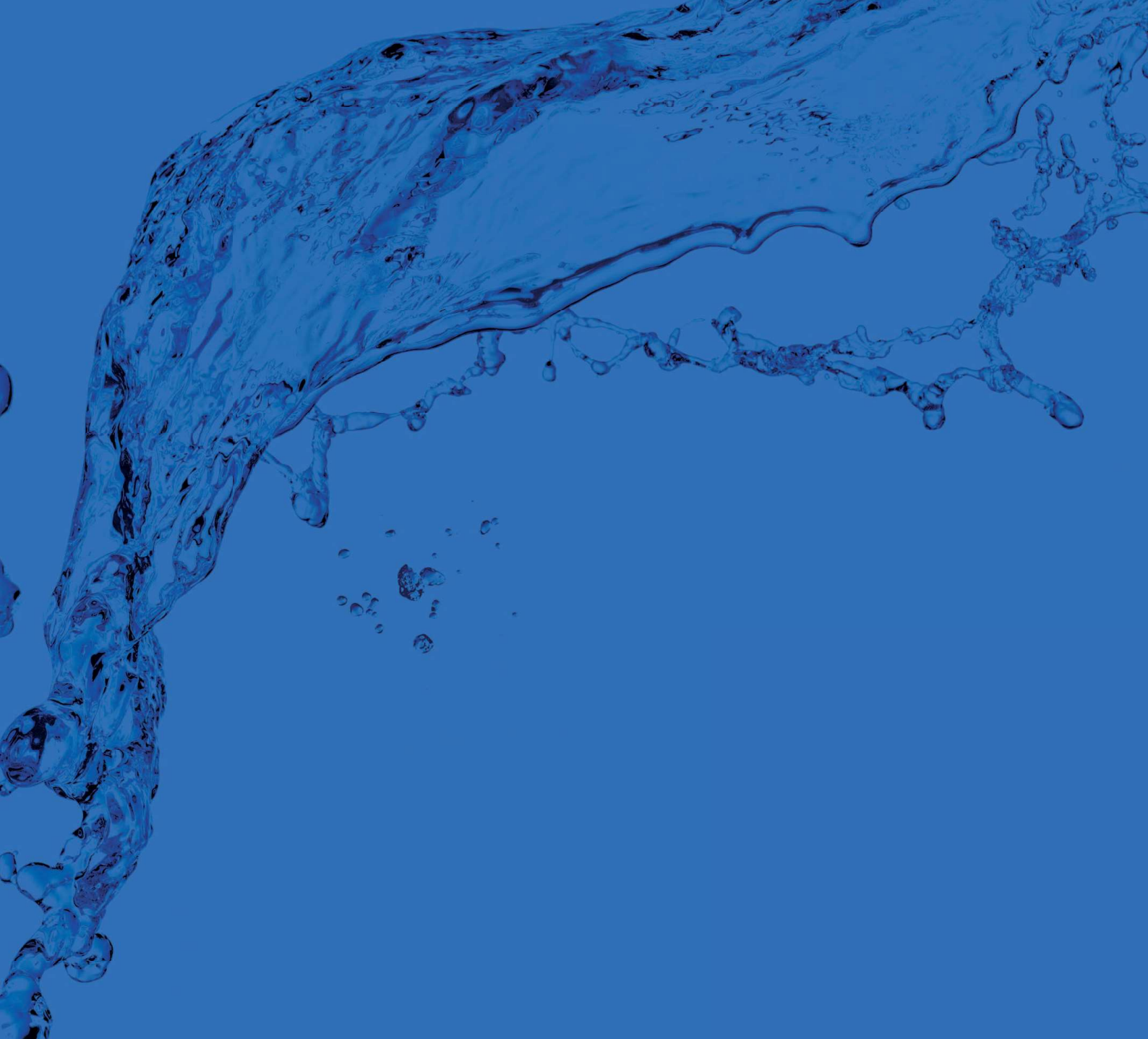
Multiple Inlets 50/100 mm



FLOW RATE PERFORMANCE CHART



Made in France to the highest standards, needs to be installed by a licensed plumber



Saniflo  **SFA** GROUP

Shaking up water

SANIFLO'S DESIGN SERVICE

We know our products well and we also have extensive experience in where they are used.

Contact us on technical@saniflo.com.au and we will help with your projects and plans.

**FOR PROJECT
PUMP SELECTION
ADVICE**



SANIFLO AUSTRALASIA

Tel: 1300 554 779

General enquiries: info@saniflo.com.au

Technical & project support: technical@saniflo.com.au

WWW.SANIFLO.COM.AU