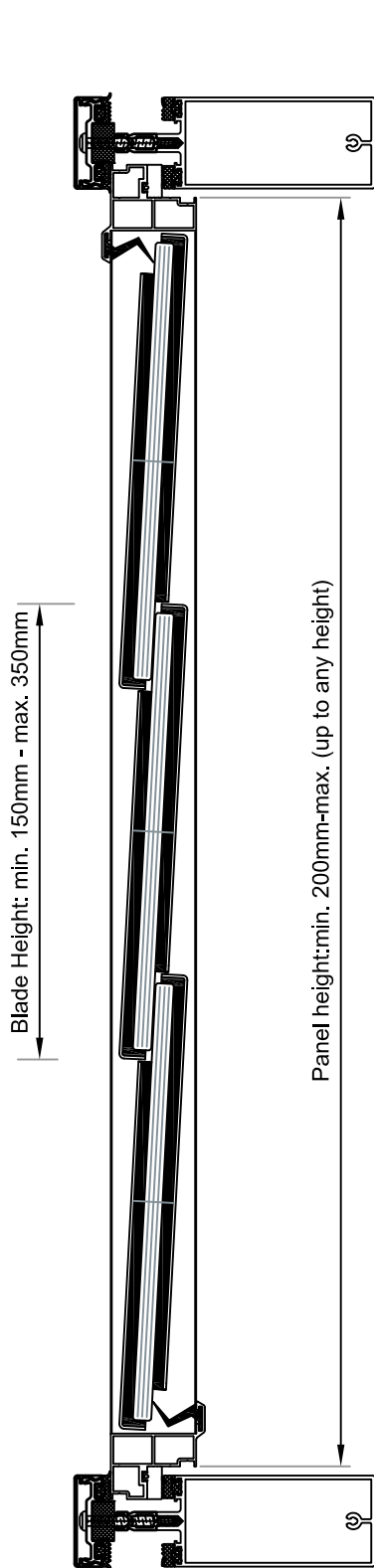
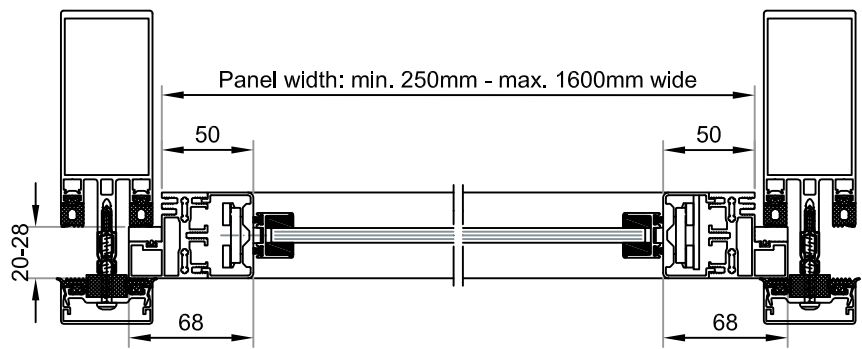


VENTÜER TECHNICAL DATA SHEET



VERTICAL SECTION



HORIZONTAL SECTION



HAHN-S9

LOUVRE WINDOW
HAHN-S9
FIXED TO WINDOW JOINERY



VENTÜER
High-Performance Building Ventilation

P: +64 9 973 3616
W: ventuer.co.nz
© 2019 All rights reserved

Scale: NTS
Date: 21/03/2019

HAHN-S9 Ver.1