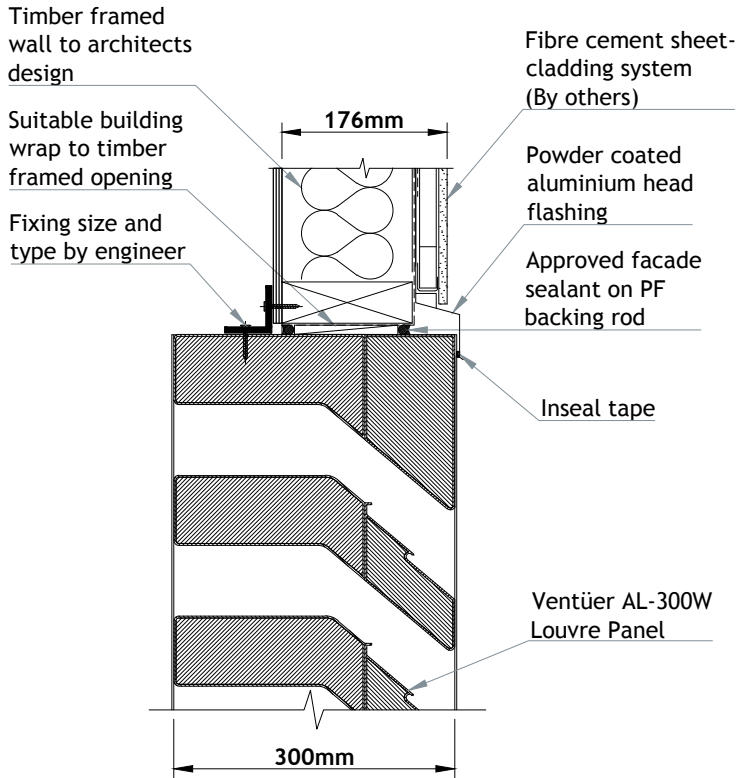
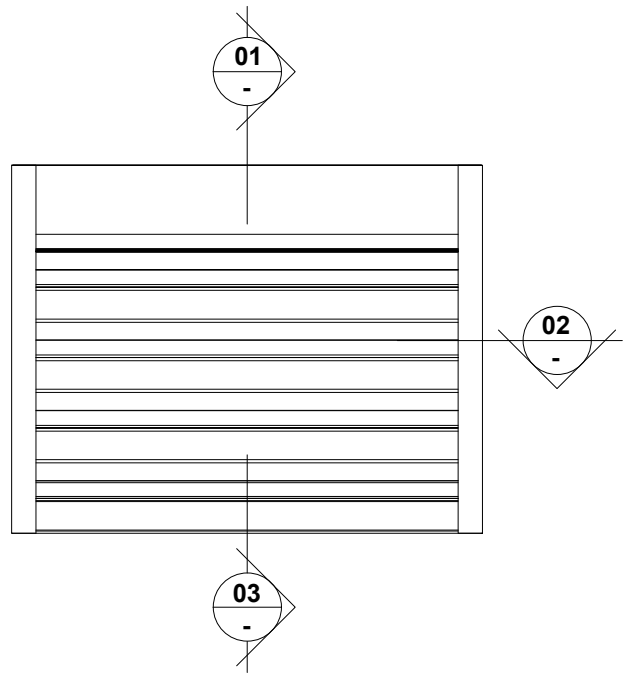


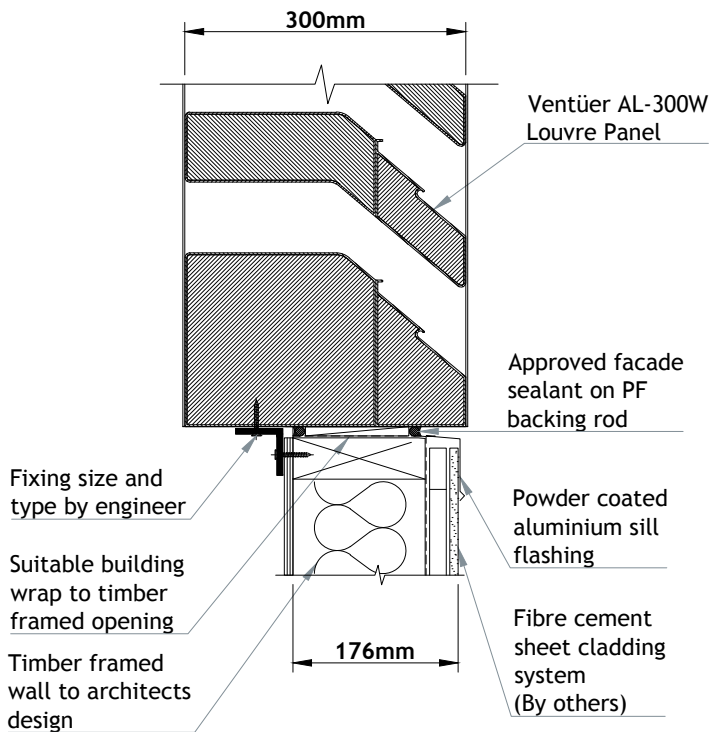
# VENTÜER TECHNICAL DATA SHEET



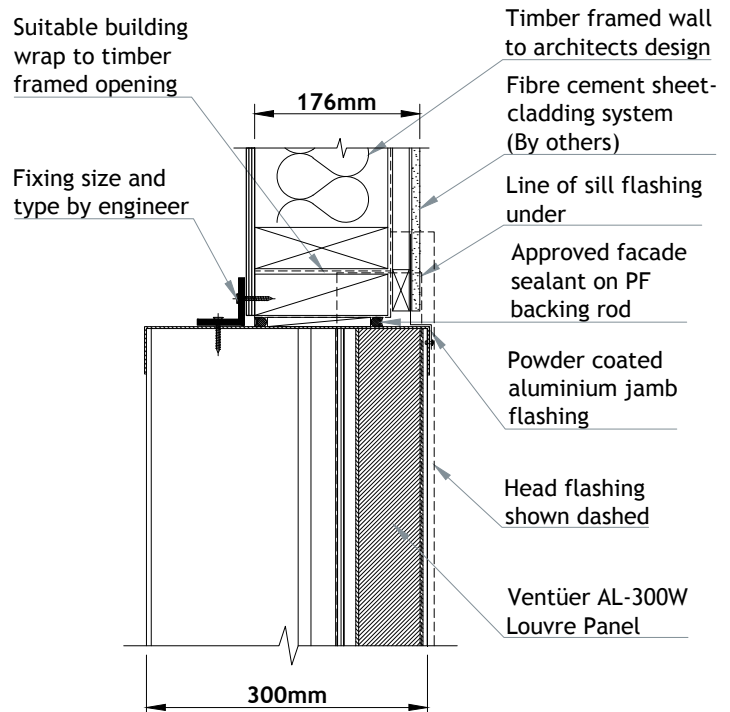
**AL-300W (CHANNEL FRAME)  
HEAD DETAIL 01  
SCALE 1 : 8**



**AL-300W LOUVRE (CHANNEL FRAME)  
SCALE - NTS**



**AL-300W (CHANNEL FRAME)  
SILL DETAIL 03  
SCALE 1 : 8**



**AL-300W (CHANNEL FRAME)  
JAMB DETAIL 02  
SCALE 1 : 8**

**ACOUSTIC LOUVRE**  
**AL-300W**  
FIXING TO FIBRE CEMENT



**VENTÜER**  
High-Performance Building Ventilation

P: +64 9 973 3616  
W: ventuer.co.nz  
© 2019 All rights reserved

Scale: 1 : 8  
Date: 05/07/2019

**AL-300W Ver.1**