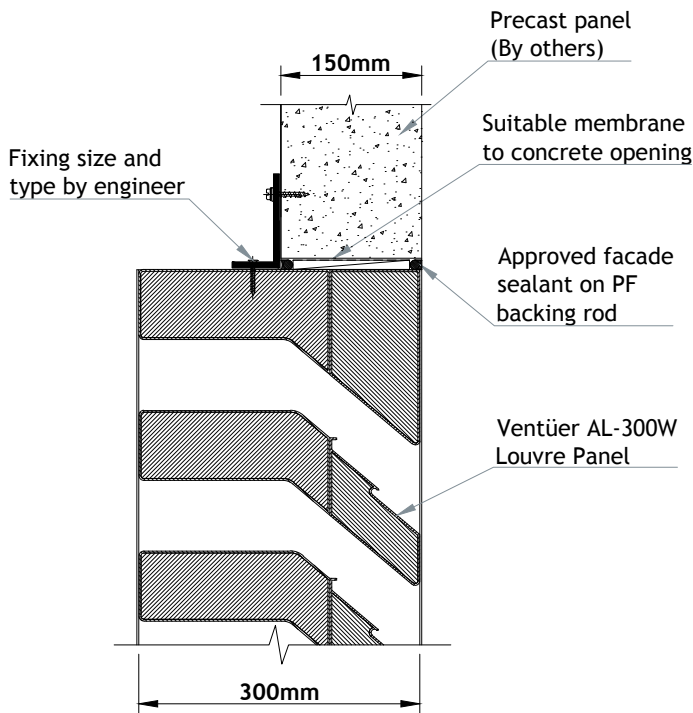
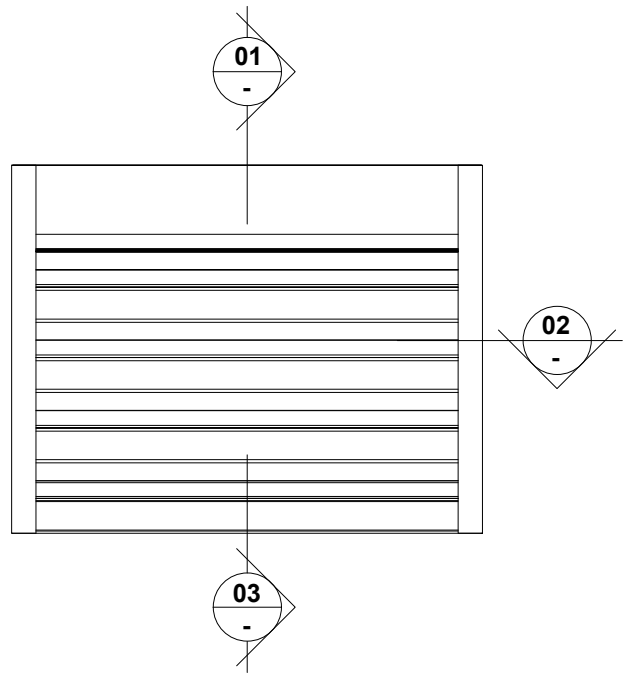


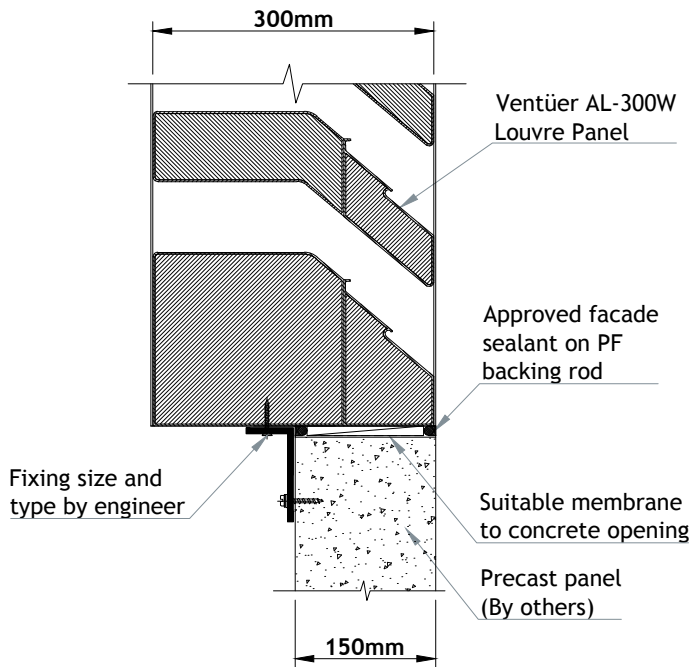
VENTÜER TECHNICAL DATA SHEET



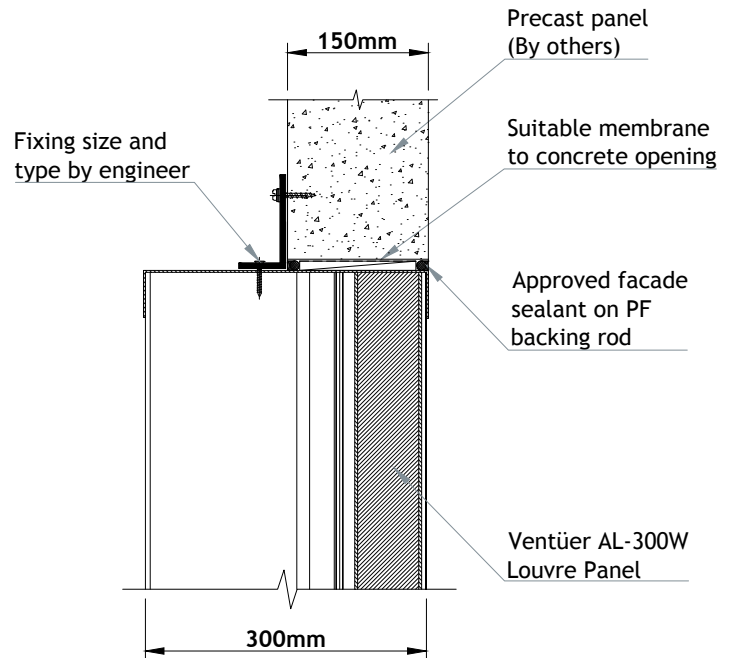
AL-300W (CHANNEL FRAME)
HEAD DETAIL 01
SCALE 1 : 8



AL-300W LOUVRE (CHANNEL FRAME)
SCALE - NTS



AL-300W (CHANNEL FRAME)
SILL DETAIL 03
SCALE 1 : 8



AL-300W (CHANNEL FRAME)
JAMB DETAIL 02
SCALE 1 : 8

ACOUSTIC LOUVRE
AL-300W
 FIXING TO PRECAST CONCRETE



VENTÜER
 High-Performance Building Ventilation

P: +64 9 973 3616
 W: ventuer.co.nz
 © 2019 All rights reserved

Scale: 1 : 8
 Date: 05/07/2019

AL-300W Ver.1