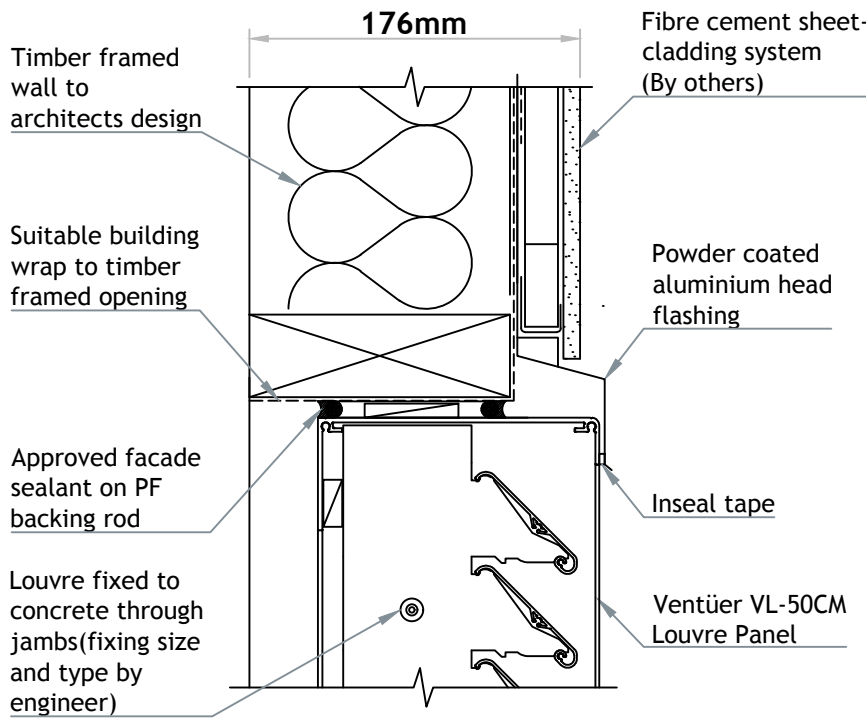
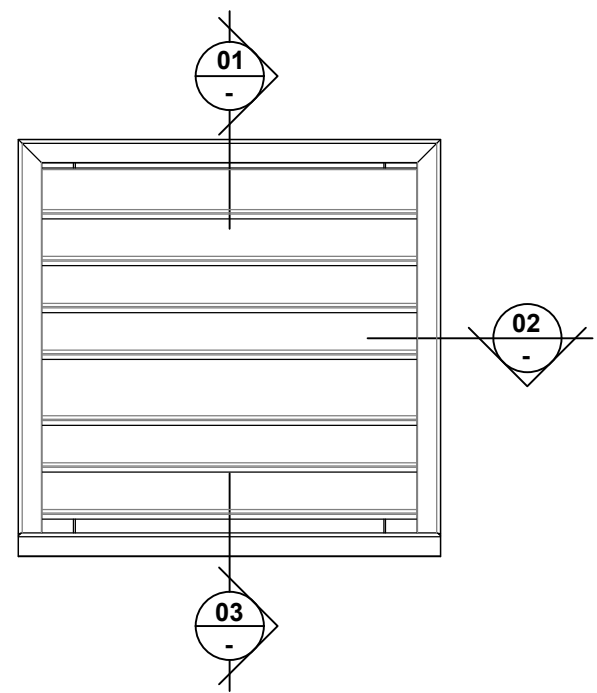


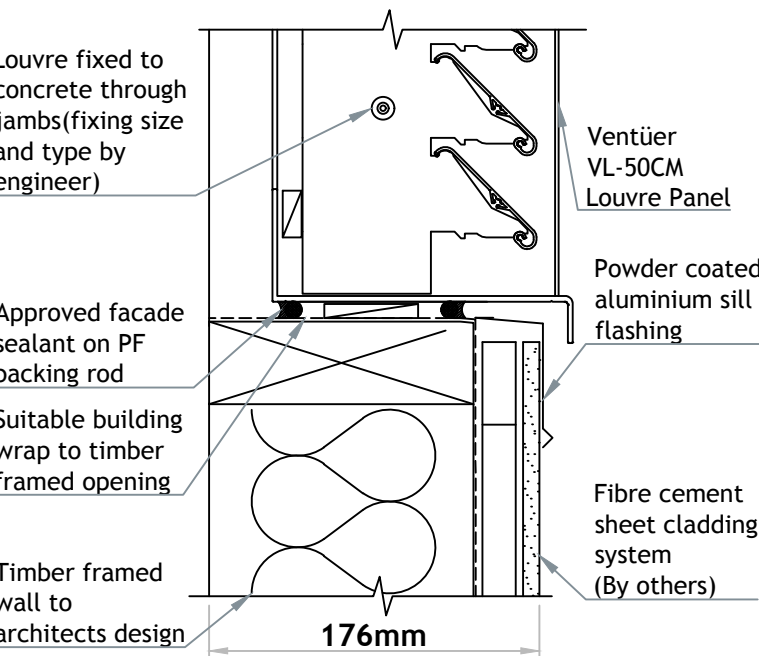
# VENTÜER TECHNICAL DATA SHEET



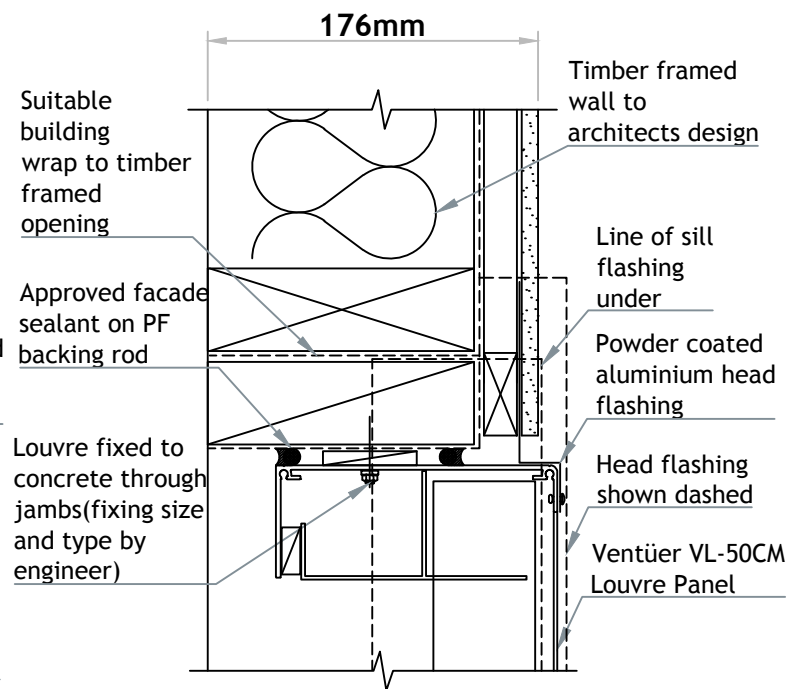
**VL-50CM (FLANGED FRAME)**  
**HEAD DETAIL 01**  
**SCALE 1 : 4**



**VL-50CM LOUVRE (FLANGED FRAME)**



**VL-50CM (FLANGED FRAME)**  
**SILL DETAIL 03**  
**SCALE 1 : 4**



**VL-50CM (FLANGED FRAME)**  
**JAMB DETAIL 02**  
**SCALE 1 : 4**

**VENTILATION LOUVRE**  
**VL-50CM**  
 FIXING TO FIBRE CEMENT



**VENTÜER**  
 High-Performance Building Ventilation

P: +64 9 973 3616  
 W: ventuer.co.nz  
 © 2019 All rights reserved

Scale: 1 : 4  
 Date: 27/03/2019

**VL-50CM Ver.1**