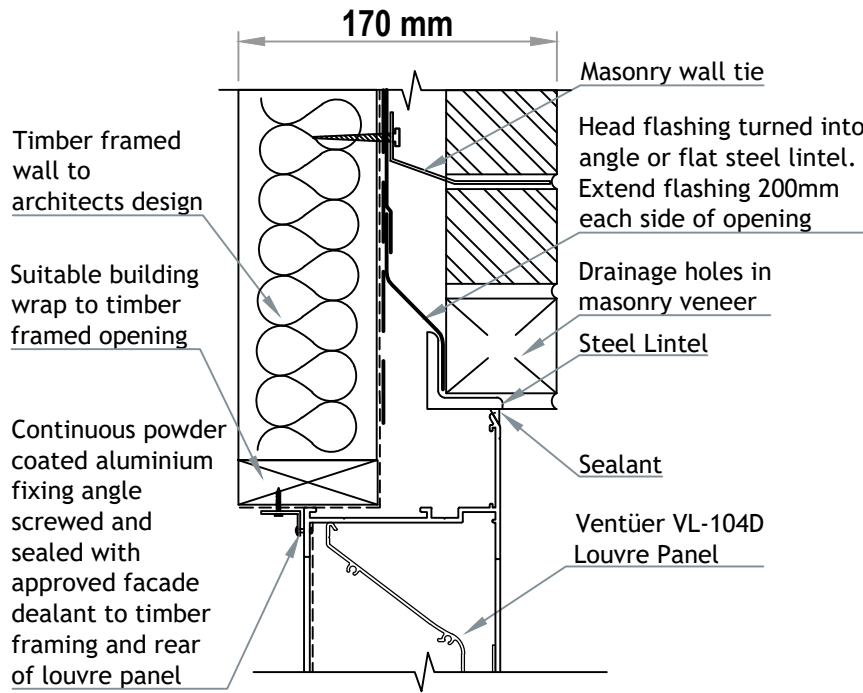
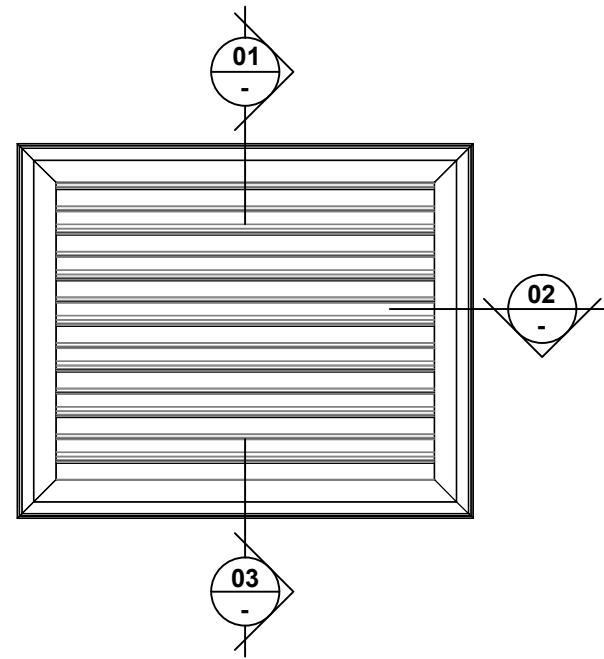


VENTÜER TECHNICAL DATA SHEET

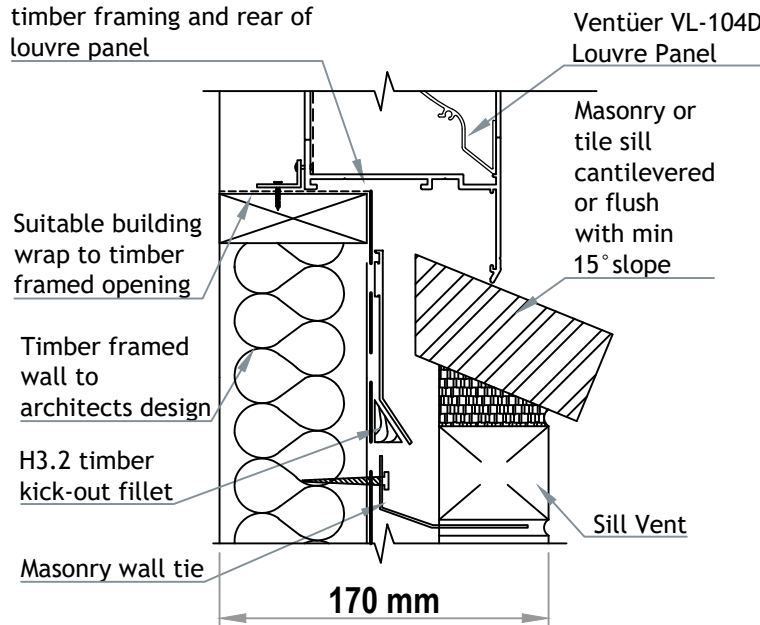


**VL-104D (FLANGED FRAME)
HEAD DETAIL 01
SCALE 1 : 4**

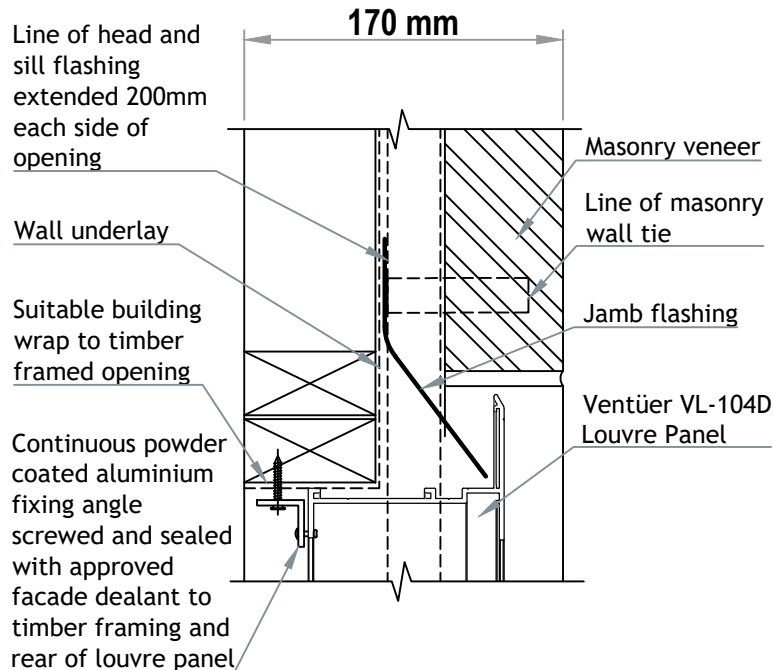


VL-104D LOUVRE (FLANGED FRAME)

Continuous powder coated aluminium fixing angle screwed and sealed with approved facade dealant to timber framing and rear of louvre panel



**VL-104D (FLANGED FRAME)
SILL DETAIL 03
SCALE 1 : 4**



**VL-104D (FLANGED FRAME)
JAMB DETAIL 02
SCALE 1 : 4**

VENTILATION LOUVRE
VL-104D
FIXING TO BRICK



VENTÜER
High-Performance Building Ventilation

P: +64 9 973 3616
W: ventuer.co.nz
© 2019 All rights reserved

Scale: 1 : 4
Date: 28/03/2019

VL-104D Ver.1