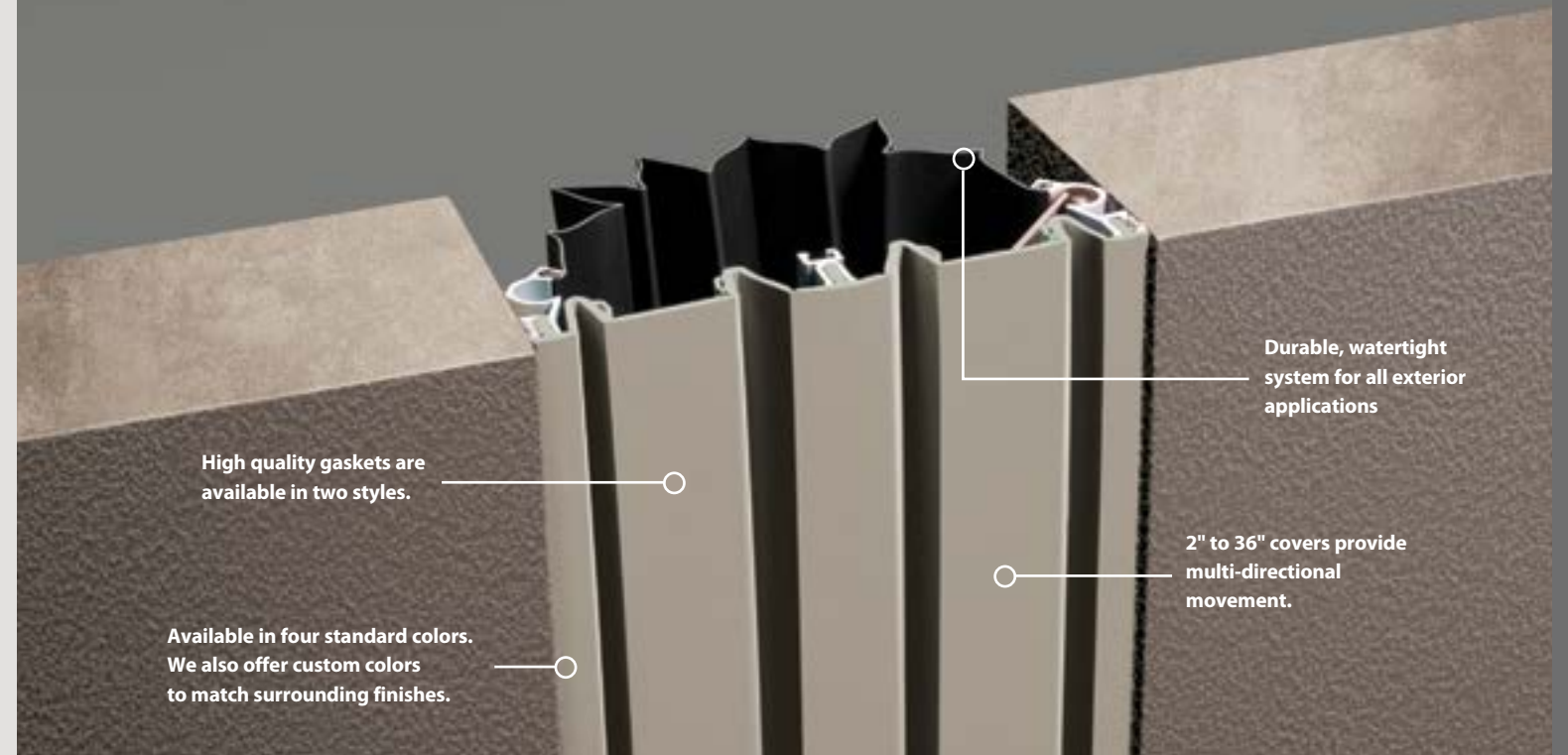
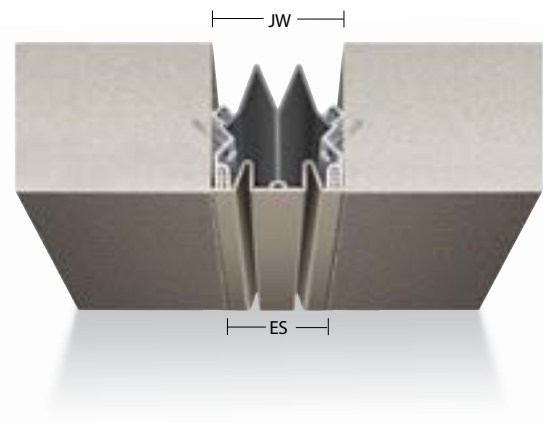


Exterior Wall Flexible Seals 2" and Up

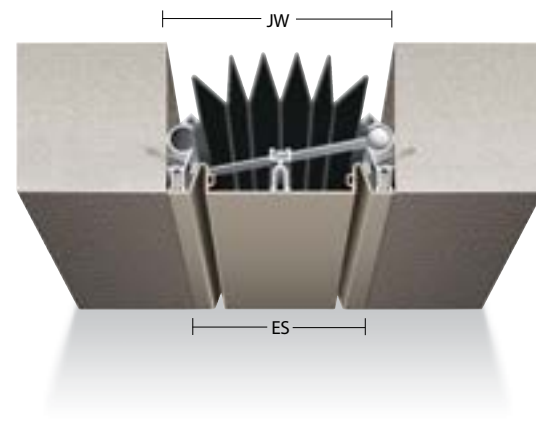
Our exterior flexible seals are designed for vertical applications where weather protection is critical.



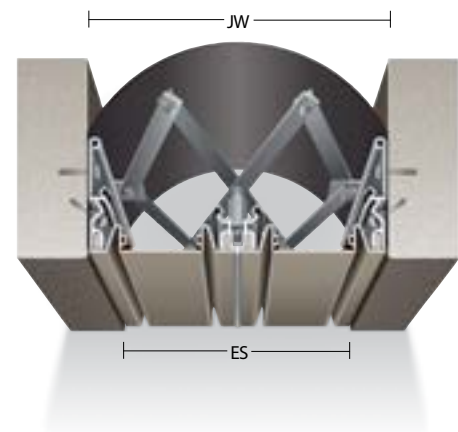
SF-300



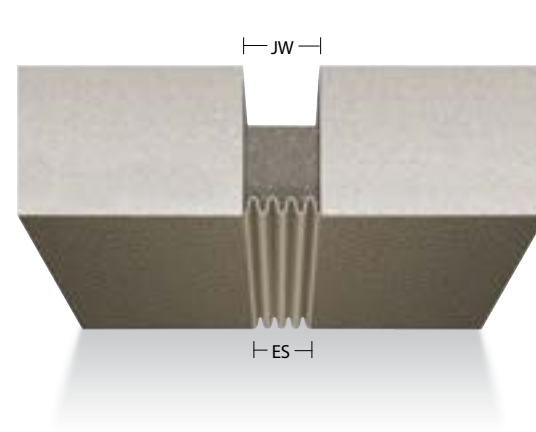
SF-800



SF-1200



VF



MODEL DATA

EXTERIOR WALL COVERS

| JOINT WIDTH | 2" | 3" | 4" | 5" | 6" | 7" | 8" | 9" | 10" | 12" | 14" | 16" | 1.0" | 2.0" | 3.0" | 4.0" | 6.0" | 8.0" |
|-----------------|--------|--------|--------|--------|--------|--------|--------|--------|---------|---------|---------|---------|--------|--------|--------|--------|--------|--------|
| MINIMUM OPENING | 1.25" | 1.25" | 1.25" | 1.25" | 1.75" | 2.50" | 2.50" | 2.50" | 2.50" | 6.00" | 6.00" | 6.00" | 0.50" | 1.00" | 1.50" | 2.00" | 3.00" | 4.00" |
| MAXIMUM OPENING | 3.00" | 4.50" | 6.00" | 7.50" | 9.00" | 10.50" | 12.00" | 13.50" | 15.00" | 18.00" | 21.00" | 24.00" | 1.50" | 3.00" | 4.50" | 6.00" | 9.00" | 12.00" |
| EXPOSED SURFACE | 2.00" | 3.00" | 4.00" | 5.00" | 6.00" | 7.00" | 8.00" | 9.00" | 10.00" | 12.00" | 14.00" | 16.00" | 1.00" | 2.00" | 3.00" | 4.00" | 6.00" | 8.00" |
| SPECIFY MODEL | SF 200 | SF 300 | SF 400 | SF 500 | SF 600 | SF 700 | SF 800 | SF 900 | SF 1000 | SF 1200 | SF 1400 | SF 1600 | VF 100 | VF 200 | VF 300 | VF 400 | VF 600 | VF 800 |

EXTERIOR WALL COVERS

| JOINT WIDTH | 4" | 5" | 6" | 7" | 8" | 9" | 10" | 11" | 12" | 13" | 14" | 15" | 16" |
|-----------------|--------|--------|--------|--------|--------|--------|---------|---------|---------|---------|---------|---------|---------|
| MINIMUM OPENING | 1.25" | 1.75" | 1.75" | 2.50" | 2.50" | 2.50" | 2.50" | 6.00" | 6.00" | 6.00" | 6.00" | 6.00" | 6.00" |
| MAXIMUM OPENING | 8.00" | 10.00" | 12.00" | 14.00" | 16.00" | 18.00" | 20.00" | 22.00" | 24.00" | 26.00" | 28.00" | 30.00" | 32.00" |
| EXPOSED SURFACE | 4.00" | 5.00" | 6.00" | 7.00" | 8.00" | 9.00" | 10.00" | 11.00" | 12.00" | 13.00" | 14.00" | 15.00" | 16.00" |
| SPECIFY MODEL | SC 400 | SC 500 | SC 600 | SC 700 | SC 800 | SC 900 | SC 1000 | SC 1100 | SC 1200 | SC 1300 | SC 1400 | SC 1500 | SC 1600 |

For odd and larger sized joints, call 800.233.8493 or visit www.c-sgroup.com/ejc.
Factory fabricated transitions are available

STANDARD VF COLORS

| | | | | | | |
|-----------|---------------|-------------|--------------|---------------|-----------|------------|
| White | Precast White | Limestone | Gray | Natural Stone | Sandstone | Dusty Rose |
| Adobe Tan | Rustic Brick | Blue Spruce | Rustic Brick | Charcoal | Bronze | Black |

STANDARD GASKET COLORS

| | | | |
|-------|--------|------|-------|
| White | Greige | Gray | Black |
|-------|--------|------|-------|

PREMIUM GASKET COLORS

| |
|----------|
| Platinum |
|----------|

Note: Custom colors are available. Call 800.233.8493.

For comprehensive information on these products, visit www.c-sgroup.com/ejc.