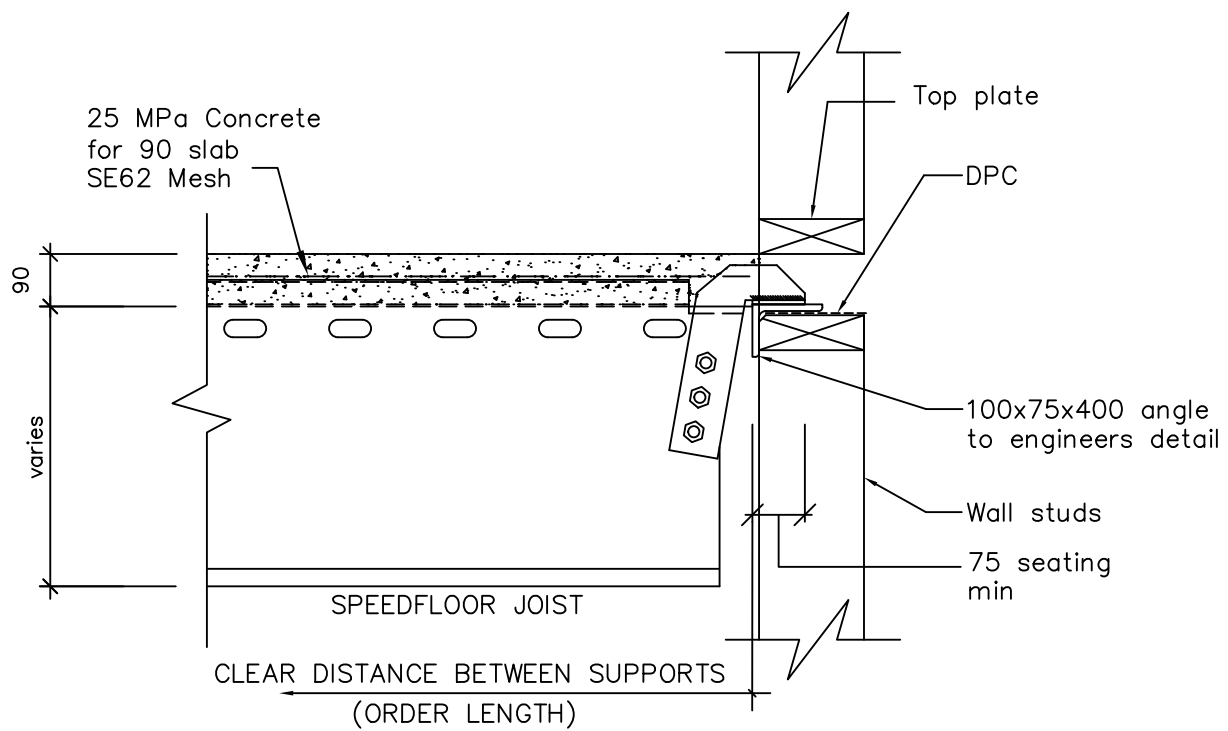


## PLAN TIMBER WALL SUPPORT



## TIMBER WALL SUPPORT

TIMBER STUDS & TOP PLATES TO BE CHECKED BY OTHER



© SPEEDFLOOR HOLDINGS LTD 2001

SPEEDFLOOR STANDARD DETAILS

**SD6**