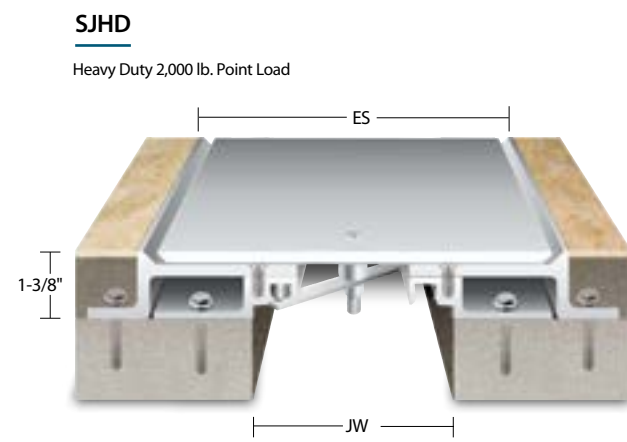
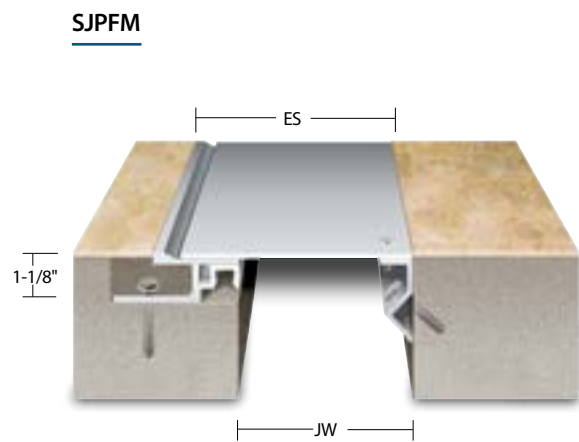
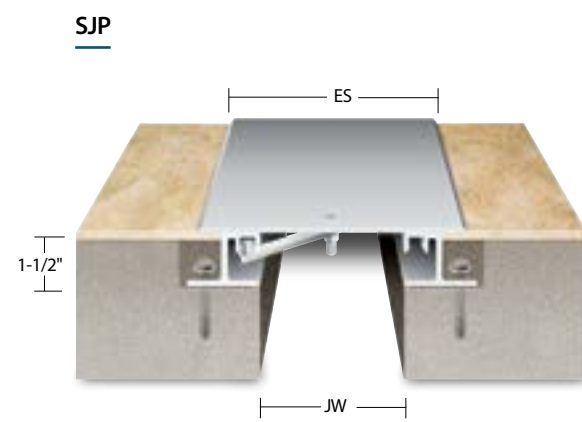
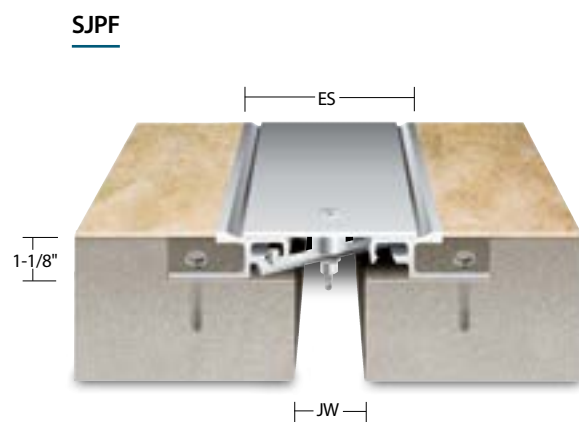
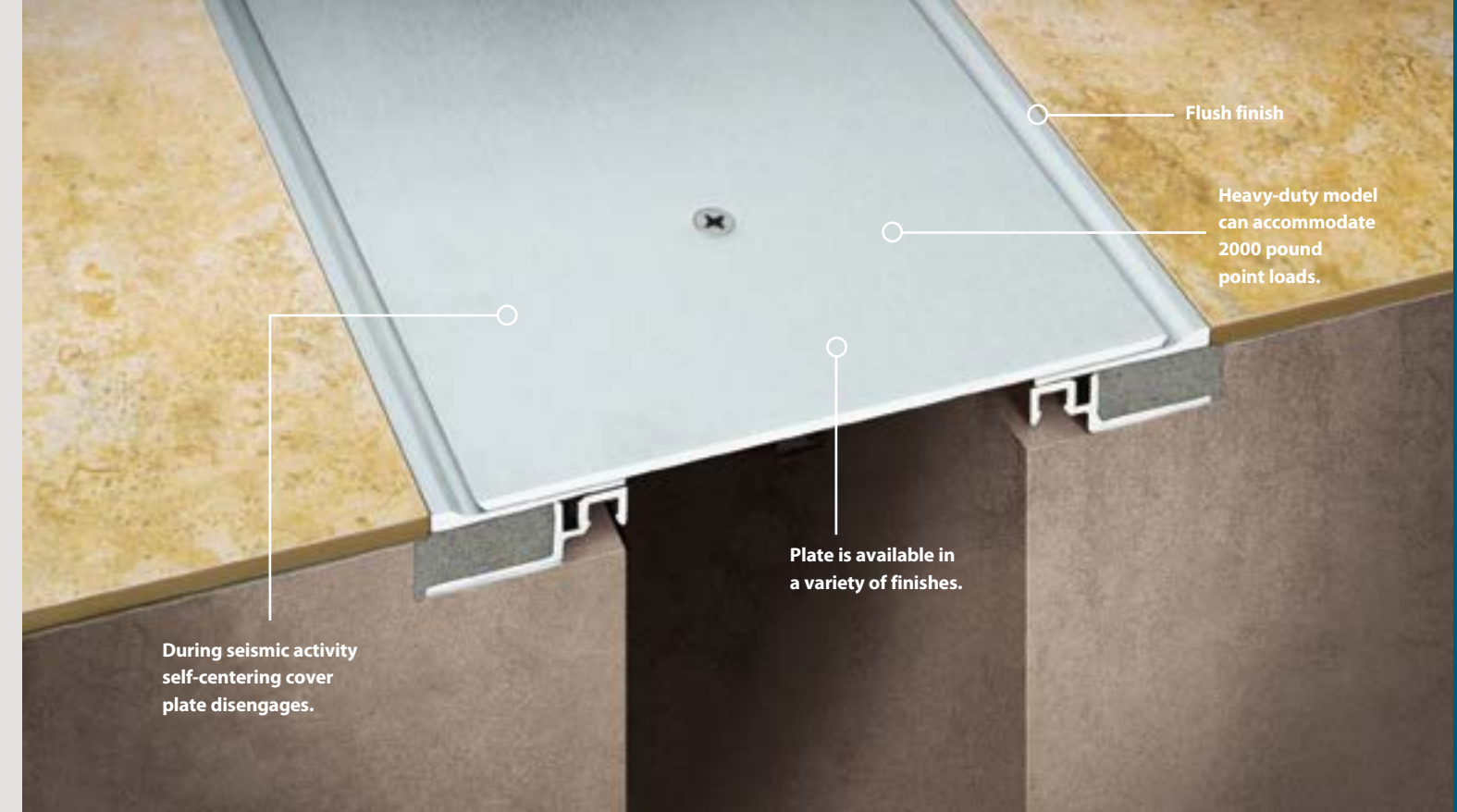


Seismic Allway™ Metal Floor Covers 4" and Up

Interior and exterior seismic metal covers are designed to provide multi-directional movement while remaining flush during thermal movement. A heavy-duty model is available for heavy point loads.



MODEL DATA

FLOOR TO FLOOR COVERS

JOINT WIDTH	4"	6"	8"	2"	4"	6"	2"	4"	6"	8"	10"	12"	14"	16"
MINIMUM OPENING	2.75"	2.75"	2.75"	1.00"	1.00"	1.00"	1.00"	1.00"	1.00"	1.00"	1.00"	1.00"	1.00"	1.00"
MAXIMUM OPENING	6.36"	9.25"	13.50"	4.00"	6.50"	9.88"	4.50"	7.50"	11.13"	14.25"	16.75"	21.00"	23.75"	24.25"
EXPOSED SURFACE	8.75"	11.75"	14.75"	5.50"	8.00"	11.50"	4.50"	7.50"	11.88"	15.00"	18.00"	21.00"	24.00"	27.00"
SPECIFY MODEL	SJ400HD	SJ600HD	SJ800HD	SJPF 200	SJPF 400	SJPF 600	SJP 200	SJP 400	SJP 600	SJP 800	SJP 1000	SJP 1200	SJP 1400	SJP 1600

FLOOR TO WALL COVERS

JOINT WIDTH	4"	6"	8"	2"	4"	6"	2"	4"	6"	8"	10"	12"	14"	16"
MINIMUM OPENING	1.00"	1.00"	5.38"	0.00"	0.00"	0.00"	0.00"	0.00"	0.00"	4.50"	5.50"	6.50"	7.50"	8.50"
MAXIMUM OPENING	6.32"	8.82"	11.04"	3.00"	5.25"	7.94"	3.25"	5.75"	8.50"	10.00"	13.31"	16.50"	18.75"	20.00"
EXPOSED SURFACE	6.38"	8.88"	11.38"	3.75"	6.00"	8.75"	3.25"	5.75"	8.94"	11.50"	14.00"	16.50"	19.00"	21.50"
SPECIFY MODEL	SJW400HD	SJW600HD	SJW800HD	SJPFW 200	SJPFW 400	SJPFW 600	SJPW 200	SJPW 400	SJPW 600	SJPW 800	SJPW 1000	SJPW 1200	SJPW 1400	SJPW 1600

SJPFM and SJPFW have the same model data. For odd and larger sized joints, call 800.233.8493 or visit www.c-sgroup.com/ejc.

For comprehensive information on these products, visit www.c-sgroup.com/ejc.