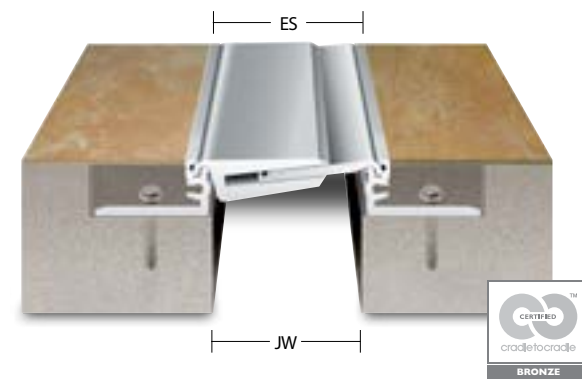


Standard Allway™ Metal Floor Covers 1"- 4"

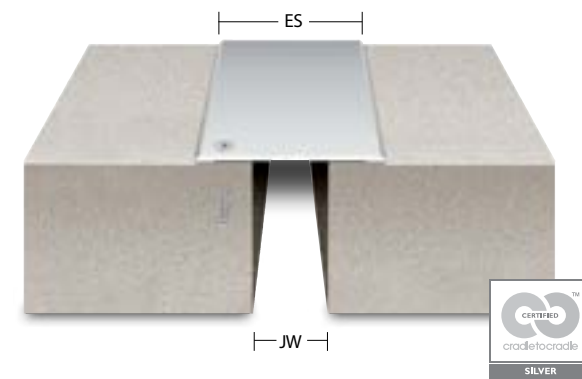
Designed to hold up in applications with high traffic, our Allway covers work with most floor finishes and require little maintenance.



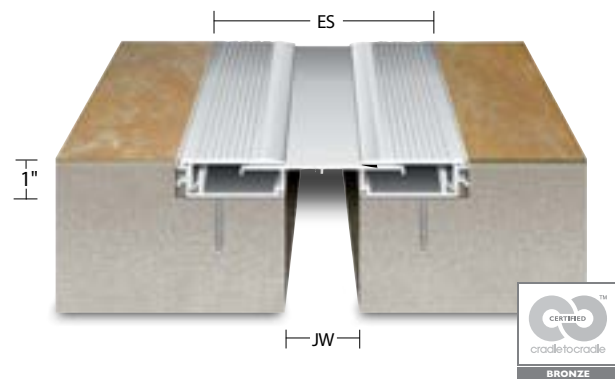
APF



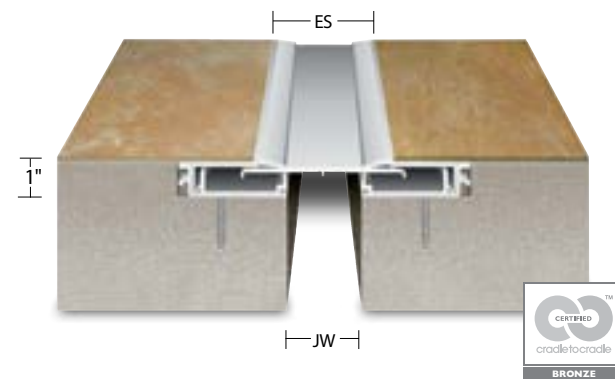
PC



ALS



ALR



MODEL DATA

FLOOR TO FLOOR COVERS

JOINT WIDTH	1"	2"	3"	4"	2"	4"	2"	4"	2"	4"
MINIMUM OPENING	0.75"	1.63"	2.50"	3.25"	0.00"	0.88"	0.00"	0.88"	0.00"	0.00"
MAXIMUM OPENING	1.25"	2.38"	3.50"	4.75"	4.00"	7.00"	4.00"	7.00"	3.75"	6.75"
EXPOSED SURFACE	1.70"	3.30"	4.37"	5.28"	3.65"	6.44"	7.75"	11.75"	5.25"	8.25"
SPECIFY MODEL	APF 100	APF 200	APF 300	APF 400	ALR 200	ALR 400	ALS 200	ALS 400	PC 200	PC 400

FLOOR TO WALL COVERS

JOINT WIDTH	1"	2"	3"	4"	2"	4"	2"	4"	2"	4"
MINIMUM OPENING	0.75"	1.63"	2.50"	3.25"	1.00"	2.44"	1.00"	2.44"	0.00"	0.00"
MAXIMUM OPENING	1.25"	2.38"	3.50"	4.75"	3.00"	5.50"	3.00"	5.50"	3.75"	6.75"
EXPOSED SURFACE	1.70"	3.30"	4.37"	5.28"	2.81"	5.19"	4.88"	7.88"	3.75"	6.75"
SPECIFY MODEL	APFW 100	APFW 200	APFW 300	APFW 400	ALRW 200	ALRW 400	ALSW 200	ALSW 400	PCW 200	PCW 400

For odd and larger sized joints, call 800.233.8493 or visit www.c-sgroup.com/ejc.

For comprehensive information on these products, visit www.c-sgroup.com/ejc.