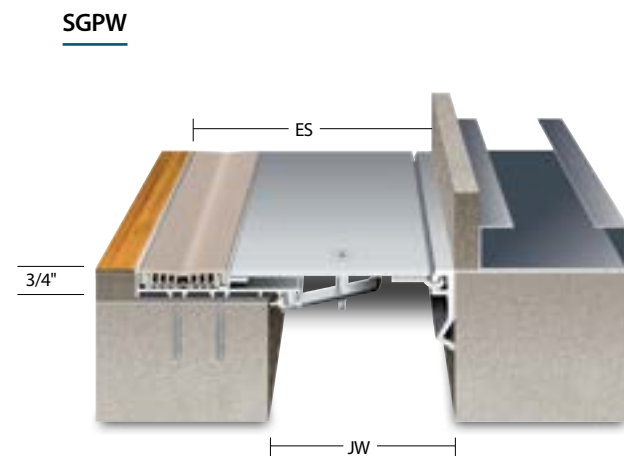
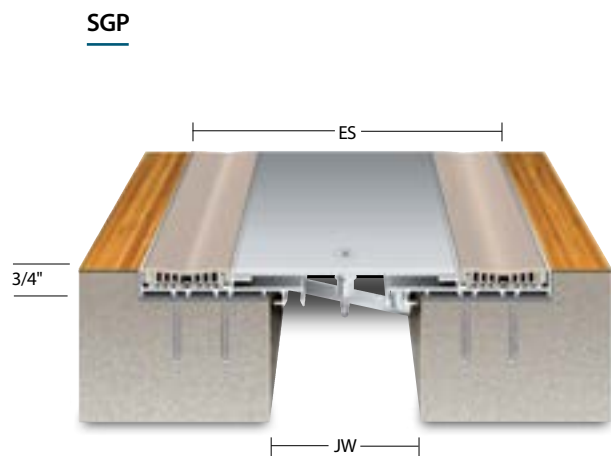
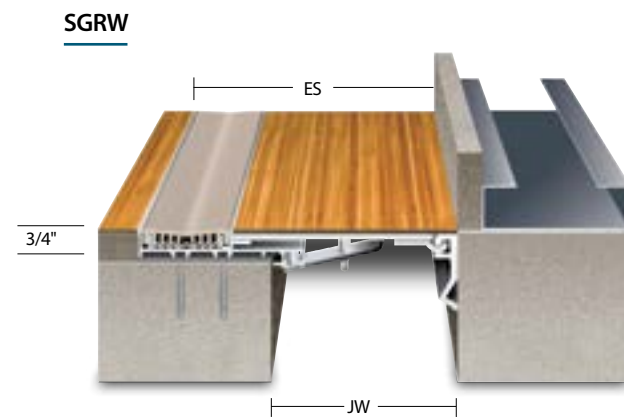
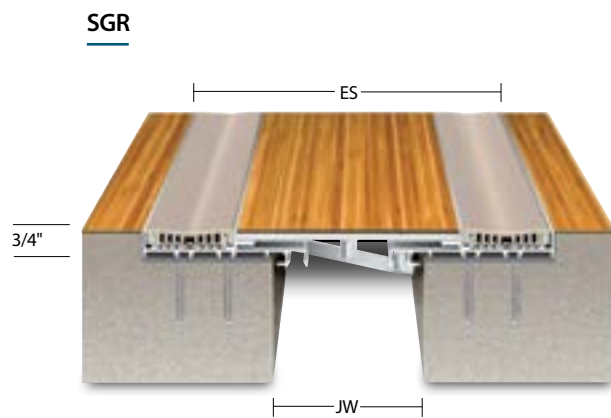
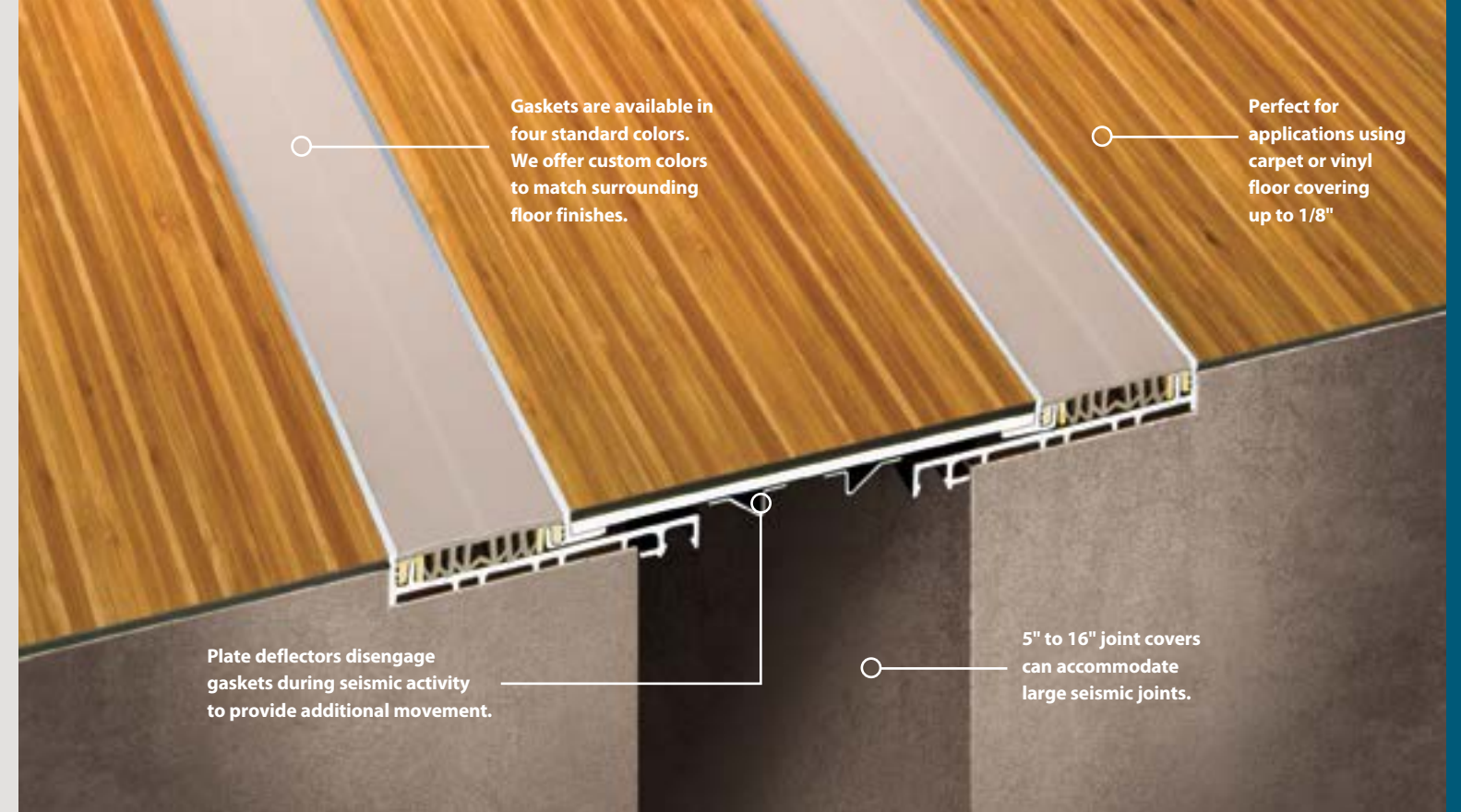


Flush Seismic Floor Covers 5" and Up

Flush seismic covers are designed to perform during seismic movement and provide a smooth transition for joints larger than 5".



MODEL DATA

FLOOR TO FLOOR COVERS

JOINT WIDTH	5"	6"	7"	8"	9"	10"	11"	12"	13"	14"	15"	16"
MINIMUM OPENING	2.75"	2.75"	2.75"	2.75"	2.75"	2.75"	2.75"	2.75"	2.75"	2.75"	2.75"	2.75"
MAXIMUM OPENING	9.25"	9.25"	12.25"	13.25"	14.13"	16.25"	18.13"	18.38"	21.25"	22.25"	22.75"	25.25"
EXPOSED SURFACE	12.00"	13.00"	15.00"	16.00"	18.00"	19.00"	21.00"	22.00"	24.00"	25.00"	27.00"	28.00"
SPECIFY MODEL	SGR 500	SGR 600	SGR 700	SGR 800	SGR 900	SGR 1000	SGR 1100	SGR 1200	SGR 1300	SGR 1400	SGR 1500	SGR 1600

FLOOR TO WALL COVERS

JOINT WIDTH	5"	6"	7"	8"	9"	10"	11"	12"	13"	14"	15"	16"
MINIMUM OPENING	3.56"	4.06"	4.94"	5.44"	5.94"	6.44"	6.94"	7.44"	7.94"	8.44"	8.94"	9.44"
MAXIMUM OPENING	6.56"	7.75"	9.69"	10.63"	11.56"	13.13"	14.63"	15.25"	17.13"	18.13"	18.75"	20.63"
EXPOSED SURFACE	8.50"	9.50"	11.00"	12.00"	13.50"	14.50"	16.00"	17.00"	18.50"	19.50"	21.00"	20.00"
SPECIFY MODEL	SGRW 500	SGRW 600	SGRW 700	SGRW 800	SGRW 900	SGRW 1000	SGRW 1100	SGRW 1200	SGRW 1300	SGRW 1400	SGRW 1500	SGRW 1600

SGR and SGP have the same model data. SGRW and SGPW have the same model data. For odd and larger sized joints, call 800.233.8493 or visit www.c-sgroup.com/ejc.

GASKET COLORS

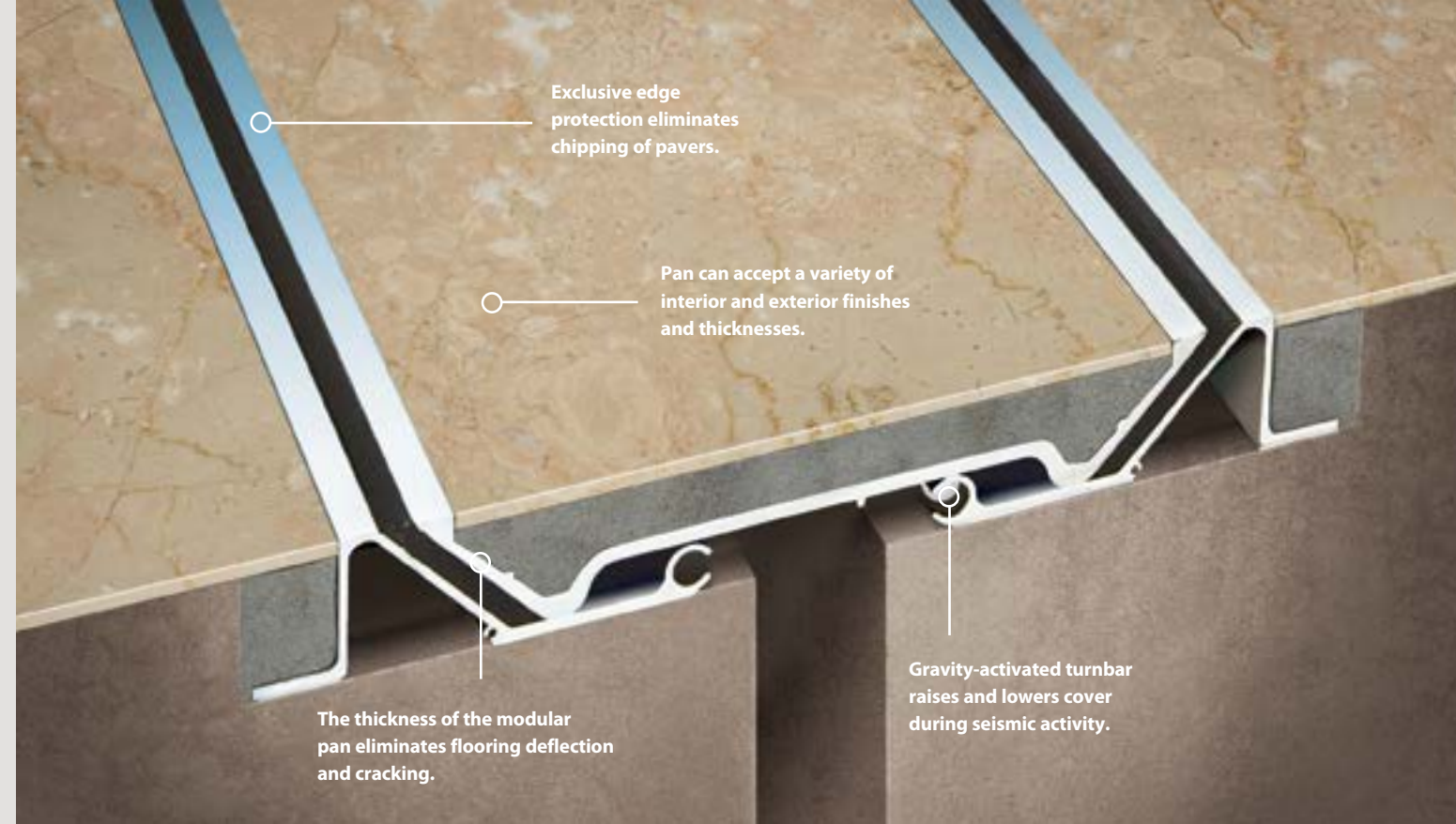


Note: Custom colors are available. Call 800.233.8493.

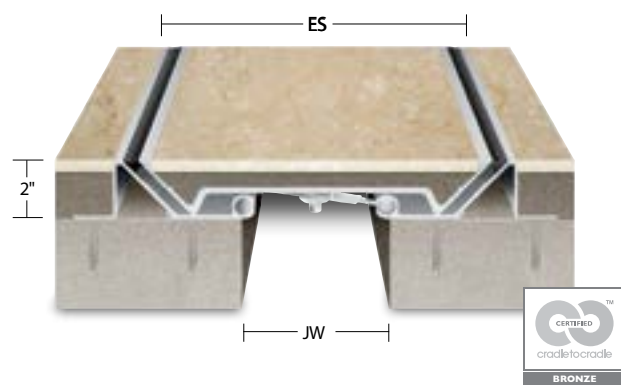
For comprehensive information on these products, visit www.c-sgroup.com/ejc.

Pan Seismic Floor Covers 2" and Up

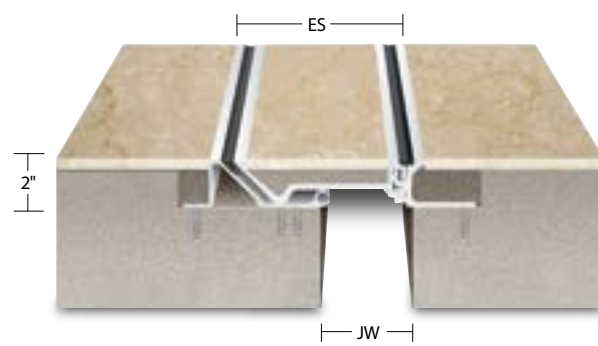
Virtually invisible seismic floor covers are used for interior and exterior applications. Designed to accept a variety of floor finishes, they handle multi-directional movement.



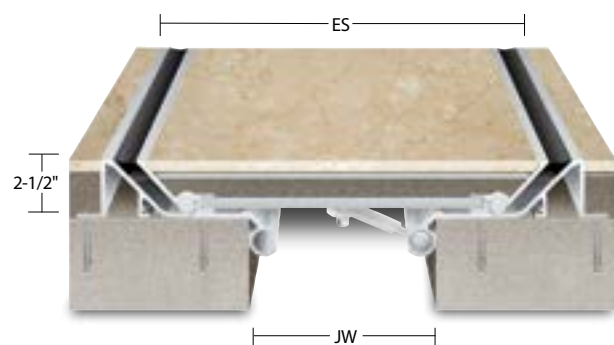
SSR-200-400



SSRH 200-400



SSR-500+



MODEL DATA

FLOOR TO FLOOR COVERS

JOINT WIDTH	2"	4"	6"	8"	10"	12"	14"	16"
MINIMUM OPENING	0.75"	1.50"	2.56"	4.00"	4.00"	4.00"	4.00"	4.00"
MAXIMUM OPENING	6.90"	8.50"	10.38"	13.13"	16.00"	18.88"	21.75"	24.75"
EXPOSED SURFACE	13.69"	13.69"	17.75"	20.75"	23.75"	26.75"	29.75"	32.75"
SPECIFY MODEL	SSR 200	SSR 400	SSR 600	SSR 800	SSR 1000	SSR 1200	SSR 1400	SSR 1600

FLOOR TO WALL COVERS

JOINT WIDTH	2"	4"	6"	8"	10"	12"	14"	16"
MINIMUM OPENING	1.00"	1.75"	1.06"	1.06"	1.06"	1.06"	1.06"	1.06"
MAXIMUM OPENING	4.00"	6.00"	10.00"	13.00"	16.00"	19.00"	22.00"	25.00"
EXPOSED SURFACE	7.88"	8.88"	13.69"	16.69"	19.69"	22.69"	25.69"	28.69"
SPECIFY MODEL	SSRW 200	SSRW 400	SSRW 600	SSRW 800	SSRW 1000	SSRW 1200	SSRW 1400	SSRW 1600

SSRH and SSRW have the same model data. For odd and larger sized joints, call 800.233.8493 or visit www.c-sgroup.com/ejc.

Construction Specialties, Inc. holds a patent(s) on one or more of the products listed herein. For detailed patent information, see www.c-sgroup.com/patents.

For comprehensive information on these products, visit www.c-sgroup.com/ejc.