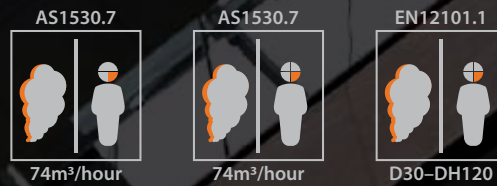




SMOKEHALT

SMOKE CURTAIN



Designed and engineered in Australia, the Smokehalt V smoke curtain is the largest single over head coiling (no overlap) smoke curtain.

This unique compact design allows Smokehalt V to be easily integrated into both existing and new buildings, assisting Architects and Building Designers to maximise the use of and open up internal spaces in many building types such as offices, shopping centres, multistorey apartments, hospitals, warehouses and many other types of commercial and industrial buildings.

Smokehalt V smoke curtains/shutters are exported from our Australian factory into many high profile projects around the world.

- Australian Made
- Complies with NCC Specification E2.2b Clause 4 Smoke Reservoirs
- Complies with EN12101.1, Rated D30 through DH120
- Tested in accordance with AS1530.7 for smoke containment
- Compact Headbox
- Gravity Fail Safe
- Automatic rewind
- Light Weight
- Highly reliable single overhead coil (no overlaps)
- Ideal for small to medium size openings





SMOKEHALT V Smoke Curtain

I INTRODUCTION



Smokehalt V smoke curtains/shutters are Australian made in our own ISO9001 Accredited facility using only high quality components. The system consists of a head box, side guides, bottom bar and curtain barrel. With a head box size of just 165mm x 165mm the Smokehalt V smoke curtain is capable of spanning up to 9m without overlaps and multiple modules, significantly reducing the ceiling cavity space required of overlapped systems.

I COMPLIANCE

Smokehalt V smoke curtain complies with National Construction Code Specification E2.2b Smoke Reservoirs

Smokehalt V also complies with EN12101.1 Smoke Curtains and can be used with and without side guides for all ratings inclusive of D30 through to DH120.

The Smokehalt V system has also been tested in accordance with AS1530.7 Air (smoke) Leakage as a smoke containment screen.

Smokehalt V also bears the Warnock Hersey Mark. The Warnock Hersey Mark (WH) signifies that our manufacturing sites undergo periodic and independent 3rd party inspections to ensure ongoing compliance with fire test approvals. The WH Mark is the world largest product compliance scheme and provides our customers with total surety by eliminating product and component substitution. The system supplied has been constructed and complies in full with our fire test approvals.



Smoke Control is the only manufacturer and supplier of fire & smoke curtains whose products have been accredited under this scheme outside of the USA, providing many customers around the world, total assurance in our company and products.

TARGET	PERFORMANCE DATA	RESULTS
SMOKE PROTECTION	Smoke (air) Leakage	<74m ³ /hour when full system is tested in accordance with AS1530.7
	Permeability	<25m ³ /hour when (fabric only) tested in accordance with EN12101.1
	Spread of Flame	0, 0, 0, 3 when tested in accordance with AS1530.3
	Group Number	Group 1 when tested in accordance with AS3837
	Cycle Test	Greater than 30,000 open-close cycles
FUNCTIONALITY	Operating Speed	4.5 m/min (nominal)
	Maximum Pressure Differential	23Pa when fully closed (with side guides)
		25Pa when fully closed (no side guides)
	System Weight	25kg per m of width
	Maximum Sizes (single overhead coil)	9m wide (no side guides) x 3m drop
8m wide (with side guides) x 3m drop		
6m wide (with or with side guides) x 5m drop		

I FUNCTION

SYSTEM OPERATION

The system is typically in the open position during normal building use. On receipt of an alarm or power outage, Smokehalt V smoke curtains deploy to provide fire and smoke compartmentation. On reset of the Fire Indicator Panel, the system automatically rewinds back into the standby position.

The control box is a compact 250 x 200 x 75mm deep box requiring a standard 240V, 10A power supply and an alarm signal in the form of a normally closed dry contact. A localised smoke or heat detector may also be used to activate the system.



| Smokehalt V smoke containment screen protecting a smoke lobby

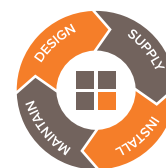
Please contact our technical department for details on 1300 665 471.

EGRESS

When Smokehalt V smoke curtains are used as part of the egress strategy, rewind switches can be connected directly to the standard control box. The switches can be mounted on one or both sides of the wall. Once pressed the system will retract and then redeploy. The retraction is based on a timer. This timer can be set to open the curtain to a minimum height before redeployment. The rewind system is supplied standard with a battery back up for operation during mains power failure.

INSTALLATION

In line with Smoke Control's mission to provide customers with reliable solutions, the Smokehalt V system is installed by our fully trained and approved installer network.



MAINTENANCE

As with all essential services Smokehalt V should be maintained in strict accordance with our documented procedures by fully trained and competent technicians. Operational tests alone are not considered adequate and when conducted by inexperienced personnel, may lead to damage of the product. Smoke Control offers a comprehensive preventative maintenance program which has proven costs savings over the life of the product.

Please contact our maintenance department for details on 1300 665 471.



SMOKEHALT V Smoke Curtain

I APPLICATIONS

Ideal for small to medium openings, Smokehalt V smoke curtains can be used to provide smoke baffles and smoke containment in:

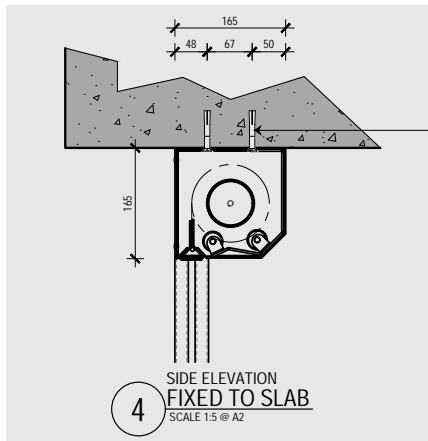
- atriums
- hospitals
- nursing homes
- lift shaft openings
- servery openings
- smoke lobbies



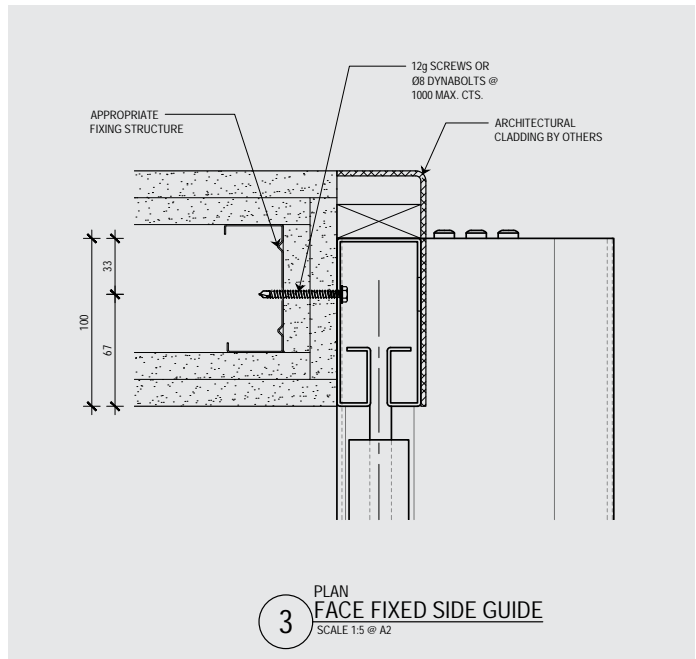
| Atrium Smoke Baffles used in conjunction with smoke venting/exhaust systems

PRODUCT DIMENSIONS

| Typical head box section



| Typical side guide section



ACCESSORIES

- bottom bar cover
- battery backup
- rewind switches
- curtain applied signage



| Retail Smoke Baffle



GENERAL INFORMATION

I TECHNICAL SUPPORT



Smoke Control offers obligation free technical support and pricing throughout your design and documentation stage so you can accurately prepare your budgets through value engineering.

You can also download the set of specifications, drawings and technical data from our website www.smokecontrol.com.au.

Contact our technical department to discuss your project requirements, or feel free to arrange a meeting.

Australia
1300 655 471

International
+61 2 96814000

New Zealand
+64 9 300 1981

A LITTLE MORE ABOUT US...

Smoke Control was established in 2003. We partner with leading local and international organisations to work with the new performance-based design environment - in addition to the traditional prescriptive environment - designing and installing systems to meet the challenging fire and smoke control demands of modern buildings.

Constant research and development continue to enhance our offering of fire windows, fire shutters and fire & smoke curtains, bringing the most innovative technology to both regular and unique project challenges. If you cannot find what you are looking for, please contact our team as we may already have a solution for you.

Smoke Control services all regions in Australia and New Zealand via our own offices and people. International customers can contact our Australian office by phone or email for your nearest distributor.

*We believe people deserve to work & live
in safe & beautiful buildings*

