



FYREHALT

FIRE+SMOKE CURTAIN



Designed in Australia and locally manufactured, the Fyrehalt V fire shutter has the smallest headbox size, consists of a single overhead coil fire curtain, with no overlap.

This unique and compact design allows the Fyrehalt V to be easily integrated into both existing and new buildings, maximising the use of internal spaces in offices, shopping centres, multistorey apartments, hospitals and warehouses.

Fyrehalt V fire curtains/shutters are exported from our factory to many high-profile projects around the world.

- Independent Third Party Verified for compliance with fire test approvals
- Fire tested in accordance with AS1530.4:2014
- Fire Ratings up to -/120/-
- Tested in accordance with AS1530.7 for smoke containment
- Compact Headbox
- Gravity Fail Safe
- Automatic rewind
- Light weight
- Highly reliable single over- head coil (no overlaps)
- Ideal for small to medium size openings





FYREHALT V Fire+Smoke Curtain

I INTRODUCTION

Fyrehalt V fire curtains/shutters are uniquely made in our own ISO9001 accredited facility using only high-quality components.

The system consists of a head box, curtain barrel, side guides and bottom bar. With a compact head box size of just 165mm x 165mm the Fyrehalt V fire curtain is capable of spanning 8m without overlaps and multiple modules, significantly increasing the reliability of the system compared to overlapped systems.

I COMPLIANCE

Fyrehalt V can be supplied, installed and certified for fire ratings up to -/120/- in accordance with AS1905.2 Fire Shutters and AS1530.4 Fire Test Methods. The system has also been tested in accordance with AS1530.7 Air (Smoke) Leakage as a smoke containment screen.

Fyrehalt V also bears the Warnock Hersey Mark (WH). The Warnock Hersey Mark (WH) signifies that our manufacturing sites undergo periodic and independent 3rd party inspections to ensure ongoing compliance with fire test approvals. The WH Mark is the world's largest product compliance scheme and provides our customers with total surety by eliminating product and component substitution.



Smoke Control is one of the few manufacturers and suppliers of Fire & Smoke curtains whose products have been accredited under this scheme outside of the USA, providing many customers around the world, total assurance in our company and products.

TARGET	PERFORMANCE DATA	RESULTS
FIRE PROTECTION	Fire Shutter	Complies with AS1905.2:2005
	Fire Rating	-/120/- or -/120/120 when used in conjunction with sprinklers in accordance with AS1530.4
	Radiant Heat ¹	<12.57 kW/m ² @ 500mm and 30 minutes into the Standard Fire Test (ISO834/AS1530.4)
	Smoke Performance	<74m ³ /hour when full system is tested in accordance with AS1530.7 (3.3 x 3.3m tested system)
SMOKE PROTECTION	Spread of Flame	0, 0, 0, 2 when tested in accordance with AS1530.3:1999
	Group Number	Group 1 when tested in accordance with AS3837
	Cycle Test	Greater than 30,000 open-close cycles
FUNCTIONALITY	Operating Speed	150mm/s nominally
	Maximum Pressure Differential	23Pa when fully closed
	System Weight	20 to 25kg per/m of width depending on system height
	Maximum Sizes	8m max width, 4m max height

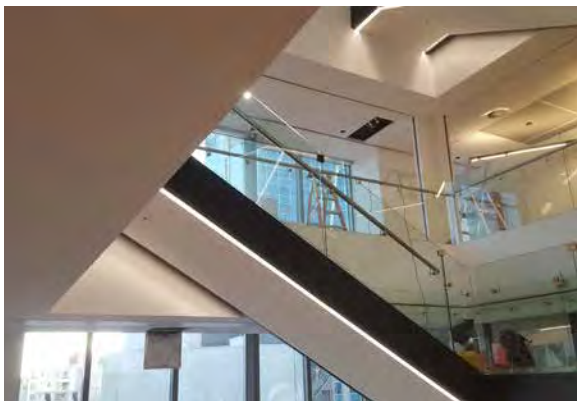
What you need to know

For larger spans with a single overhead coil up to 30m wide, please refer to our light weight Fibershield V fire shutter system.



FYREHALT V Fire+Smoke Curtain

I FUNCTION



SYSTEM OPERATION

The system is typically held in the open position during normal building use. Upon receipt of an alarm or loss of power, Fyrehalt V fire shutters deploy to provide Fire & Smoke compartmentation. On reset of the Fire Indicator Panel (FIP or power), the system automatically rewinds back into the standby position.

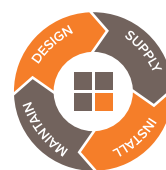
The control box is a compact 290 x 240 x 110mm box requiring a standard 240V, 10A power supply and an alarm signal in the form of a normally closed, dry contact. A localised smoke or heat detector may also be used to activate the system. Please contact our technical department for details on 1300 665 471.

EGRESS

When Fyrehalt V fire shutters are used as part of egress strategy, rewind switches can be connected directly to the standard control box. Switches can be mounted on one or both sides of the wall. Once pressed the system will retract and then redeploy. The rewind system is supplied standard with a battery backup for operation during mains power failure. In some applications, such as basement car parks, it may be necessary to provide a fire door immediately adjacent to the fire curtain shown below.

INSTALLATION

In line with Smoke Control's mission to provide customers with reliable solutions, the Fyrehalt V system is installed by our fully trained and approved installer network.



MAINTENANCE

As with all essential services, Fyrehalt V should be maintained in strict accordance with our documented procedures by fully trained and competent technicians. Operational tests alone are not considered adequate and when conducted by inexperienced personnel, may lead to damage of the product. Smoke Control offers a comprehensive preventative maintenance program which has proven costs savings over the life of the product.

Please contact our maintenance department for details on 1300 665 471.



Fire and smoke compartmentation in a basement carpark with additional egress door. An egress door prevents occupants from driving out of the car park and blocking fire fighting activities



FYREHALT V Fire+Smoke Curtain

I APPLICATIONS

Ideal for small to medium openings, Fyrehalt V have been used to provide Fire & Smoke compartmentation in:

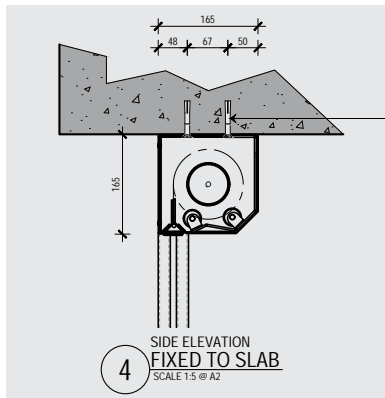
- hospitals
- basement car parks
- lift shafts
- warehouse dividing walls
- interconnecting stairs
- servery openings
- universities

| University Fire & Smoke Compartmentation

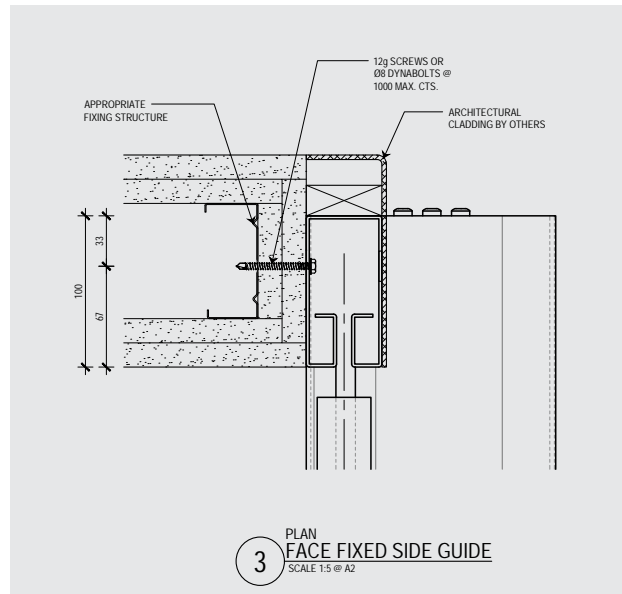


PRODUCT DIMENSIONS

| Typical head box section



| Typical side guide section



ACCESSORIES

- bottom bar cover
- battery backup
- rewind switches
- curtain applied signage

| Hospital Fire & Smoke Compartmentation



WE BELIEVE PEOPLE DESERVE TO WORK & LIVE IN SAFE & BEAUTIFUL BUILDINGS



GENERAL INFORMATION

I TECHNICAL SUPPORT



Smoke Control offers obligation free technical support and pricing throughout your design and documentation stage so you can accurately prepare your budgets through value engineering.

You can also download the set of specifications, drawings and technical data from our website www.smokecontrol.com.au.

Contact our technical department to discuss your project requirements, or feel free to arrange a meeting.

Australia
1300 655 471

International
+61 2 96814000

New Zealand
+64 9 300 1981

A LITTLE MORE ABOUT US...

Smoke Control was established in 2003. We partner with leading local and international organisations to work with the new performance-based design environment - in addition to the traditional prescriptive environment - designing and installing systems to meet the challenging Fire & Smoke control demands of modern buildings.

Constant research and development continue to enhance our offering of fire windows, fire shutters and Fire & Smoke curtains, bringing the most innovative technology to both regular and unique project challenges. If you cannot find what you are looking for, please contact our team as we may already have a solution for you.

Smoke Control services all regions in Australia and New Zealand via our own offices and people. International customers can contact our Australian office by phone or email for your nearest distributor.

*We believe people deserve to work & live
in safe & beautiful buildings*

