


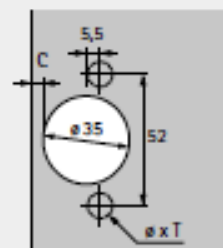
# Fast assembly concealed hinge without automatic closing function

- ▶ Sensys 8675
- ▶ 110° opening angle



- ▶ Clip on hinge without automatic closing function
- ▶ For example, for Push to open applications
- ▶ Quality classification in accordance with EN 15570, Level 3
- ▶ For door thickness of 15 - 24 mm
- ▶ Cup diameter 35 mm
- ▶ Cup depth 12.8 mm
- ▶ Integrated overlay adjustment + 2 mm / - 2 mm
- ▶ Integrated depth adjustment + 3 mm / - 2 mm
- ▶ Height adjustment at mounting plate
- ▶ Hinge arm material: nickel plated steel
- ▶ Hinge cup material: nickel plated steel

## Sensys 8675, 110° opening angle

Cup installation	Drilling pattern	Fixing hole ø x T mm	Full overlay  Basis B 12.5 mm	PU
Press in version TH 53		ø 10 x 11	9 071 316	200 ea.

# Fast assembly concealed hinge

- ▶ Sensys 8645i / Sensys 8645 / Sensys 8675
- ▶ 110° opening angle

## Minimum reveal per door

Door thickness mm	Cup distance C mm					
	3.0	4.0	4.5	5.0	6.0	7.0
15	0.2	0.2	0.2	0.2	0.2	0.2
16	0.3	0.3	0.3	0.3	0.3	0.3
17	0.4	0.4	0.4	0.4	0.4	0.4
18	0.6	0.6	0.6	0.6	0.6	0.5
19	0.8	0.8	0.8	0.8	0.7	0.7
20	1.1	1.0	1.0	1.0	1.0	0.9
21	1.4	1.3	1.3	1.3	1.2	1.2
22	2.2	1.8	1.7	1.6	1.6	1.5
23	3.0	2.6	2.4	2.2	2.0	1.9
24	3.9	3.4	3.2	3.0	2.6	2.4

Note:

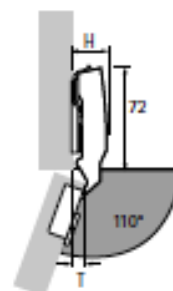
The values in the table refer to doors with an edge radius of 1 mm.

On doors with other radii, the minimum reveal changes as follows:

Radius 0 mm:  
Value in table + 0.4 mm

Radius 3 mm:  
Value in table - 0.6 mm

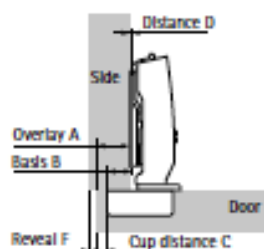
## Installation dimensions



Hinge protrusion H / door protrusion T for distance D = 0 mm and cup distance C = 3 mm

Door mounting option	H mm	T mm
Full overlay	25.0	8.5
Half overlay	31.0	18.0
Inset	38.0	25.0

## Full overlay



$$\text{Distance D} = \text{C} + \text{B} - \text{A}$$

$$= \text{cup distance C} + 12.5 \text{ mm} - \text{overlay A}$$

Overlay mm	Cup distance C mm					
	3.0	4.0	4.5	5.0	6.0	7.0
	Distance D mm					
10	5.5	6.5	7.0	7.5	8.5	9.5
11	4.5	5.5	6.0	6.5	7.5	8.5
12	3.5	4.5	5.0	5.5	6.5	7.5
13	2.5	3.5	4.0	4.5	5.5	6.5
14	1.5	2.5	3.0	3.5	4.5	5.5
15	0.5	1.5	2.0	2.5	3.5	4.5
16		0.5	1.0	1.5	2.5	3.5
17			0.0	0.5	1.5	2.5
18					0.5	1.5
19						0.5

## ▶ Advice

For mounting plates, see pages 28 - 29

For accessories, see pages 30 - 31

For technical information, see pages 32 - 39