



Folding door systems:
WingLine L

Technik für Möbel


Hettich

Folding door system

- ▶ WingLine L / attached to the side
- ▶ All the benefits at a glance



Experiencing folding doors in a new way. WingLine L lets you produce folding sliding doors in a completely new dimension of convenience. The revolutionary Push / Pull to move opening mechanism provides access to everything inside the cabinet with just one movement of the hand. An impressive panorama effect! Further highlights:

optimised running performance, soft opening and closing, tool-less installation as well as minimal door protrusion for efficiently organising the space inside. WingLine L competently and securely moves door wings weighing up to 25 kg and measuring up to 2,400 mm in height: a talented all rounder for the bedroom, kitchen and office.



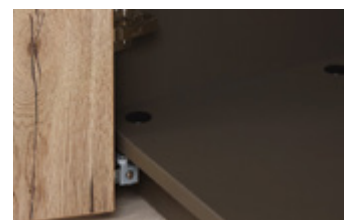
Panorama convenience: access to 6m² of cabinet content, leaving everything in perfect view.



For easy and gentle opening: Push / Pull to move module first class practical convenience.



Optimum use of space: minimal door protrusion, with door reliably held in place while open.



Purist and convenient: no distracting profile on the bottom panel.



Handleless perfection: The door set opens all the way with just one push - from the Push to move module.



Impresses everywhere: WingLine L is suitable for all commonly used door wing formats.



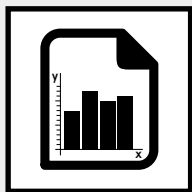
Impressive running performance: as smooth as never before and virtually silent.



Easy and cost effective: intelligent installation accessories for efficient one person installation.

Folding door system

- ▶ WingLine L / attached to the side
- ▶ Summary



Performance summary

2 – 3

- ▶ Technical details in brief
- ▶ Door sizes
- ▶ Operating principle



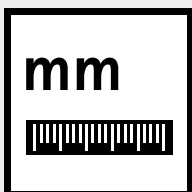
System summary

4 – 5



System components

6 – 11



Planning dimensions

12 – 15



Installation

16 – 20

Folding door system

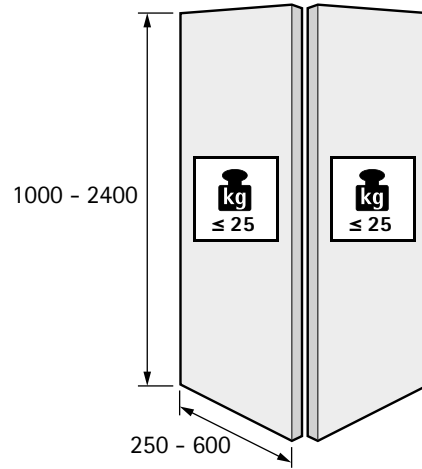


- ▶ WingLine L / attached to the side
- ▶ Performance summary

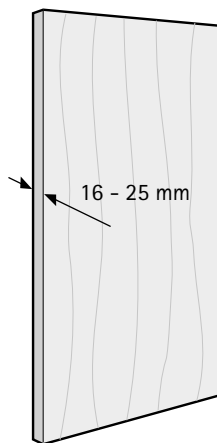
Technical details in brief

- ▶ For one folding door with 2 wings
- ▶ Overlay door position
- ▶ For wooden doors
- ▶ Push / Pull to move
- ▶ Suitable for use with Sensys hinge
- ▶ Door wing weight up to 25 kg
- ▶ Door height up to 2400 mm
- ▶ Door wing width up to 600 mm
- ▶ Tested with 40000 cycles

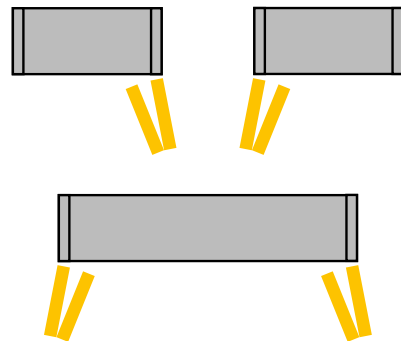
Door format and door weight



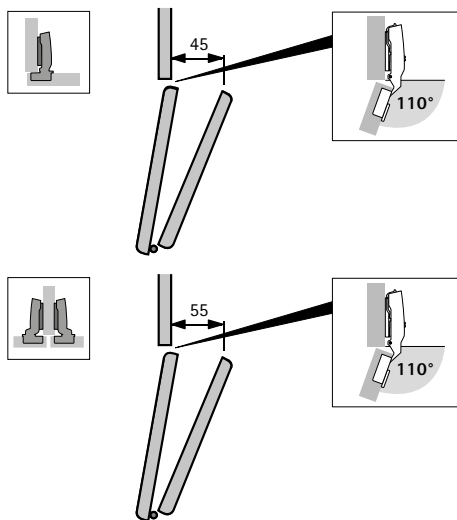
Door material



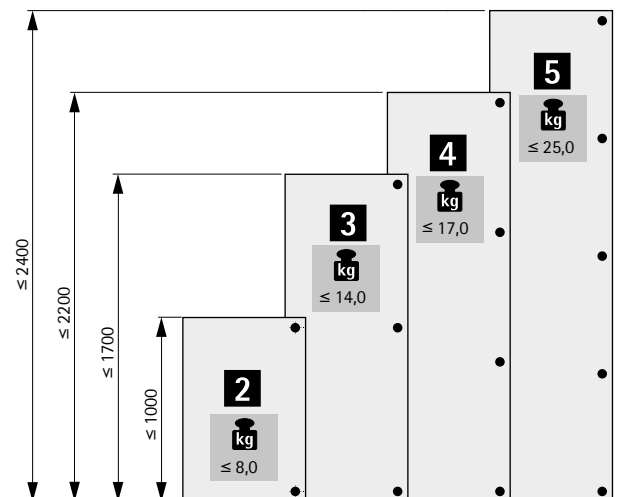
Number of door wings and door position



Door protrusion



Recommended number of carcass and folding door hinges

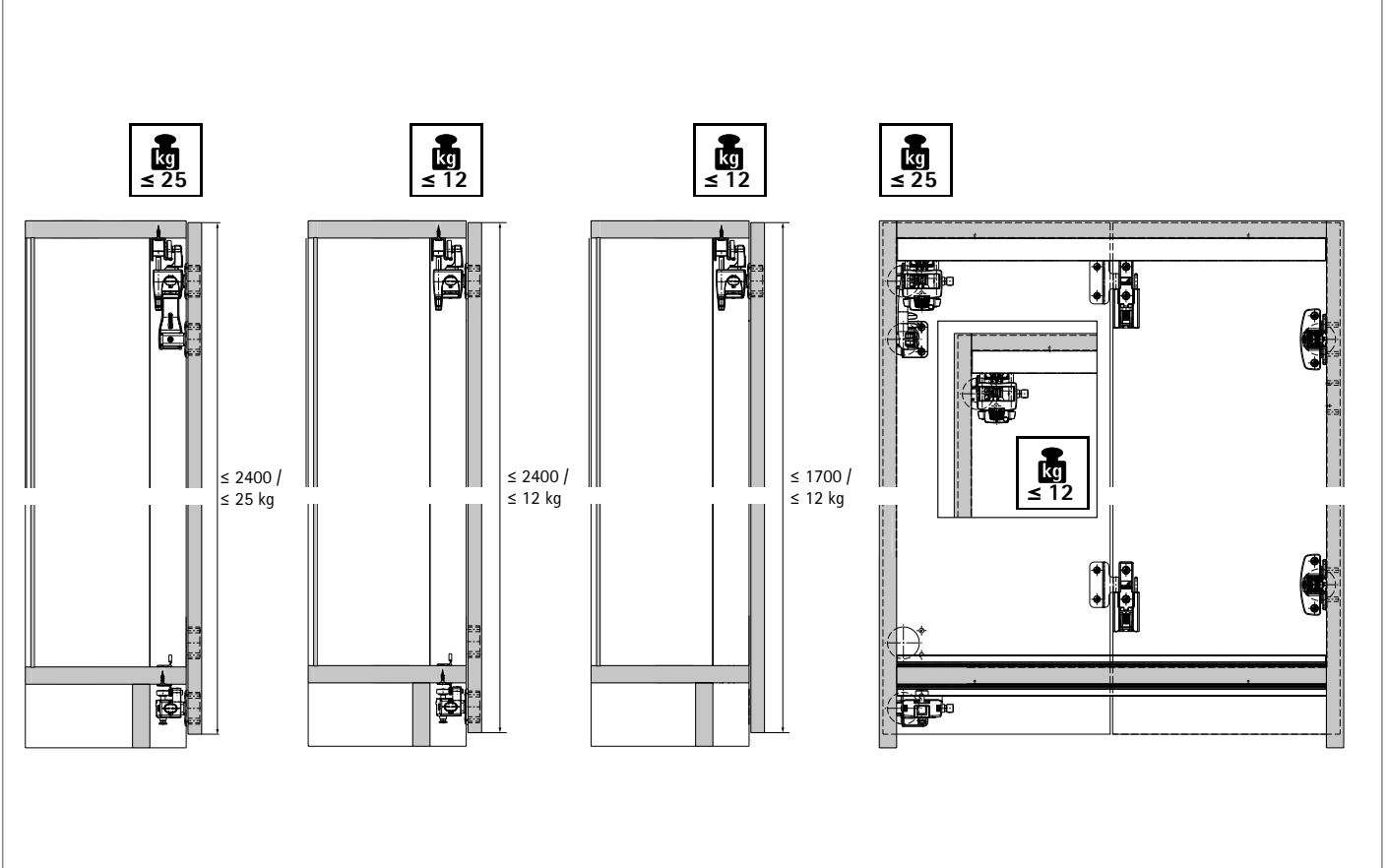


Folding door system

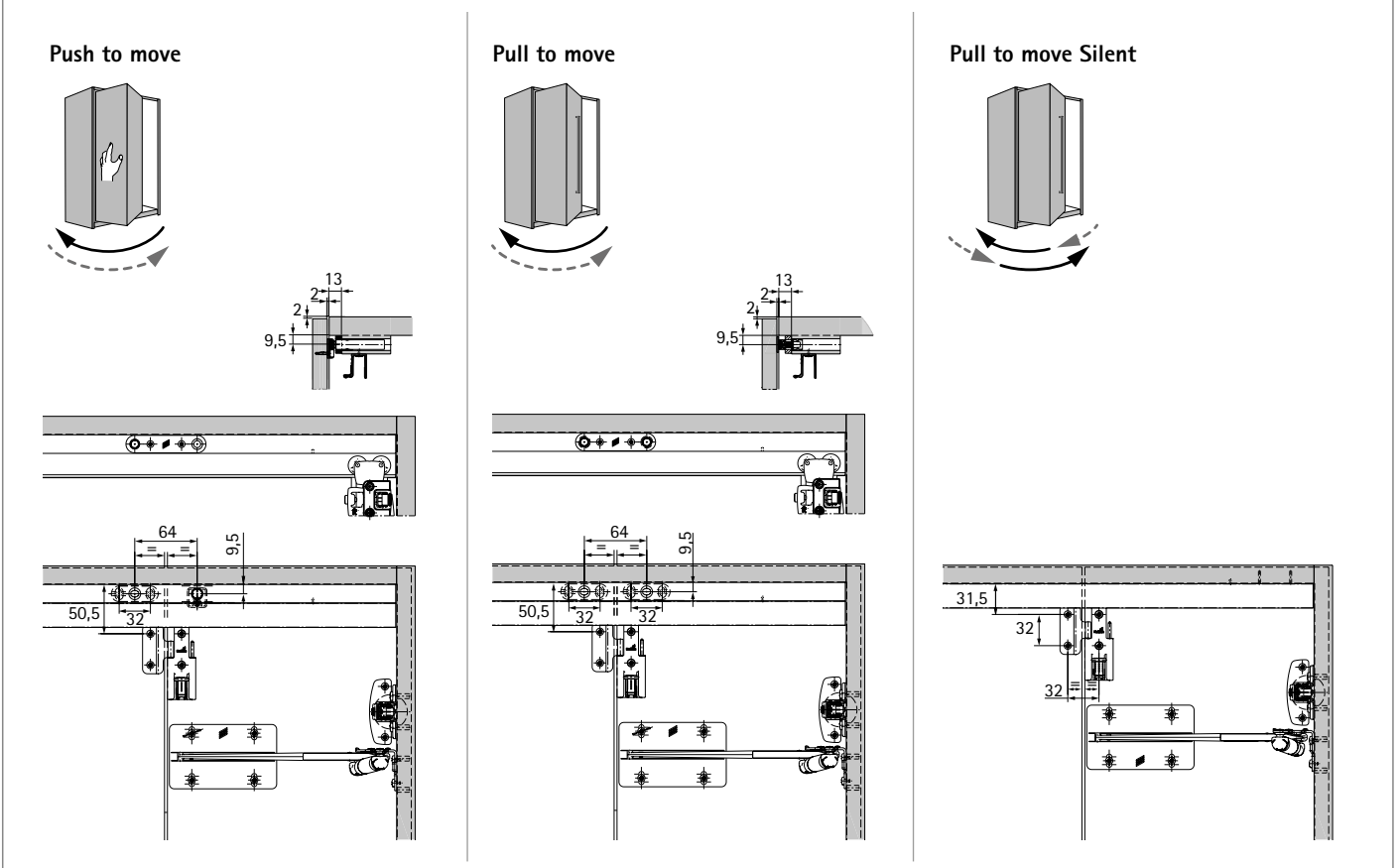
- ▶ WingLine L / attached to the side
- ▶ Performance summary



Operating principle / WingLine L



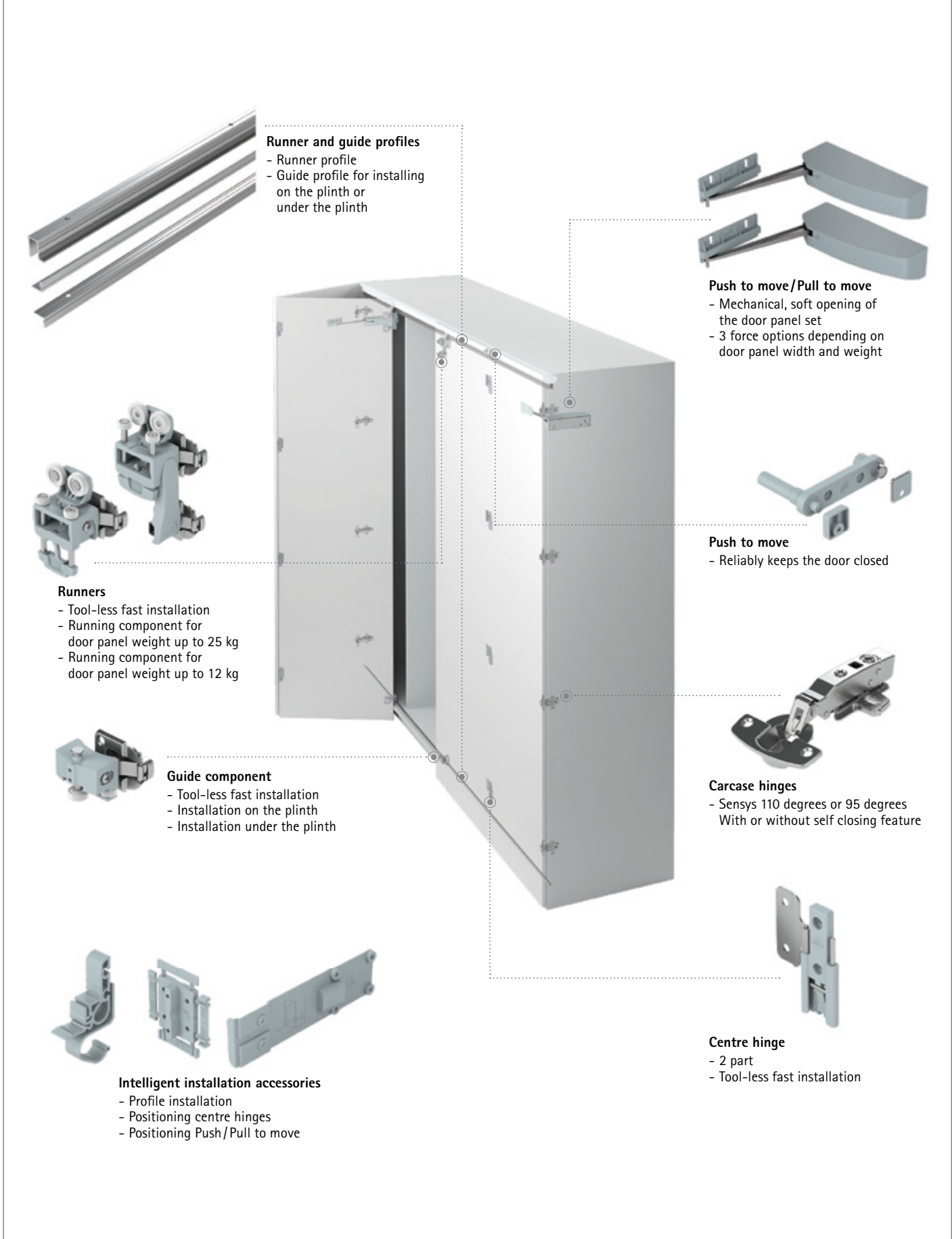
Operating principle / WingLine L with Push to move / Pull to move / Pull to move Silent



Folding door system

- ▶ WingLine L / attached to the side
- ▶ System summary

The new multifolder: WingLine L

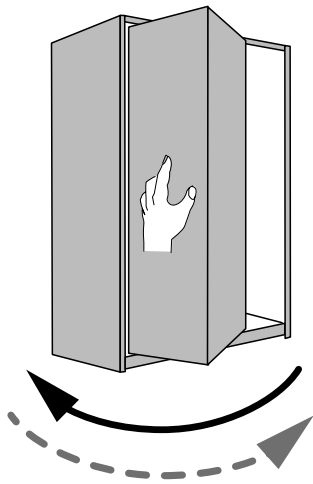


Folding door system

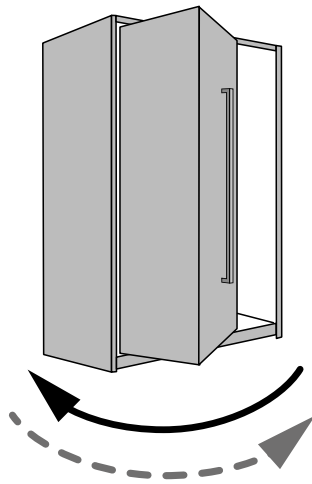
- ▶ WingLine L / attached to the side
- ▶ System summary

WingLine L with Push to move and Pull to move

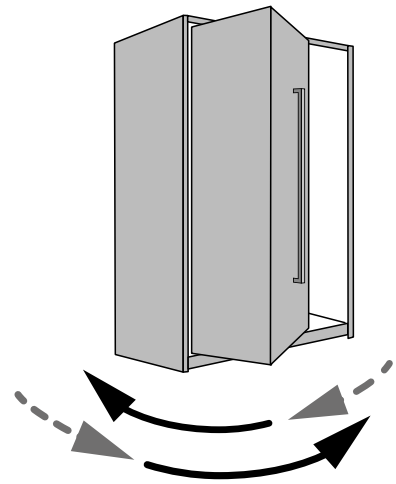
Pull to move and Push to move are two innovative and unique opening mechanisms for folding door systems. A slight pull on the handle or gentle push on the (handleless) front automatically opens the door all the way, taking it to the open position in a cushioned movement. A fascinating opening effect that works all mechanically! This means it requires neither cables nor any connection to the power supply.



Push to move
The door opens automatically in response to a light press on the front and is returned to the closed position by hand.



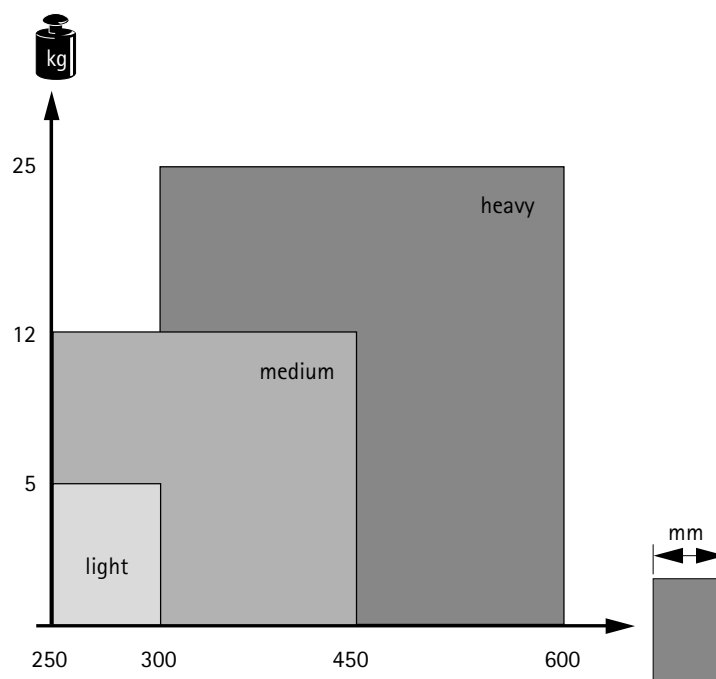
Pull to move
The door opens automatically from a 1° opening angle in response to a minimal pull on the handle and is returned to the closed position by hand.



Pull to move Silent
The door opens automatically from a 35° opening angle in response to a slight pull on the handle and is returned to the closed position in a cushioned movement.

Capacity classes

For Push to move and Pull to move to work perfectly in conjunction with every door size and weight, the modules are available in various capacity classes. Choose the right set for your particular application. A trial mounting is recommended!



Folding door system

- ▶ WingLine L / attached to the side
- ▶ System components

Running component for door wing weighing up to 25 kg with self closing feature



- ▶ Can be used in standard folding door application without opening mechanism
- ▶ Can be used in combination with Pull to move Silent
- ▶ Tool-less fast installation
- ▶ With 2 concealed hinges
- ▶ +/- 3 mm height adjustment
- ▶ Steel, nickel plated / plastic, grey

| Hinge side of cabinet | WL 770 Alt | Order no. | PU |
|-----------------------|------------|-------------------|--------|
| left | 0 070 968 | 9 237 492* | 50 ea. |
| right | 0 070 969 | 9 237 493* | 50 ea. |

* Not available until January 2018, use alternative until this time

Running component for door wing weighing up to 25 kg without self closing feature



- ▶ Can only be used in combination with Pull to move and Push to move
- ▶ Tool-less fast installation
- ▶ With 2 concealed hinges
- ▶ +/- 3 mm height adjustment
- ▶ Steel, nickel plated / plastic, grey

| Hinge side of cabinet | Order no. | PU |
|-----------------------|------------------|--------|
| left | 9 237 495 | 50 ea. |
| right | 9 237 494 | 50 ea. |

Running component for door wing weighing up to 12 kg with self closing feature



- ▶ Can be used in standard folding door application without opening mechanism
- ▶ Can be used in combination with Pull to move Silent
- ▶ Tool-less fast installation
- ▶ With 1 concealed hinge
- ▶ +/- 3 mm height adjustment
- ▶ Steel, nickel plated / plastic, grey

| Hinge side of cabinet | Alternative | Order no. | PU |
|-----------------------|-------------|-------------------|--------|
| left | 1 079 041 | 9 237 488* | 50 ea. |
| right | 1 079 042 | 9 237 484* | 50 ea. |

* Not available until January 2018, use alternative until this time

Running component for door wing weighing up to 12 kg without self closing feature



- ▶ Can only be used in combination with Pull to move and Push to move
- ▶ Tool-less fast installation
- ▶ With 1 concealed hinge
- ▶ +/- 3 mm height adjustment
- ▶ Steel, nickel plated / plastic, grey

| Hinge side of cabinet | Order no. | PU |
|-----------------------|------------------|--------|
| left | 9 237 479 | 50 ea. |
| right | 9 237 480 | 50 ea. |

Folding door system

- ▶ WingLine L / attached to the side
- ▶ System components

Guide component with self closing feature



- ▶ Can be used in standard folding door application without opening mechanism
- ▶ Guide component with 3 runner rollers and 1 concealed hinge
- ▶ Can be used in combination with Pull to move Silent
- ▶ Tool-less fast installation
- ▶ Installation on or under the plinth
- ▶ Steel, nickel plated / plastic, grey

| Mounting option | Order no. / Hinge side of cabinet | | PU |
|---------------------------|-----------------------------------|----------------|---------|
| | left | right | |
| Installation on plinth | 9237431 | 9237432 | 100 ea. |
| Installation under plinth | 9237432 | 9237431 | 100 ea. |

* Not available until January 2018, contact Hettich for an alternative

Guide component without self closing feature



- ▶ Can only be used in combination with Pull to move and Push to move
- ▶ Guide component with 3 runner rollers and 1 concealed hinge
- ▶ Tool-less fast installation
- ▶ Installation on or under the plinth
- ▶ Steel, nickel plated / plastic, grey

| Mounting option | Order no. / Hinge side of cabinet | | PU |
|---------------------------|-----------------------------------|----------------|---------|
| | left | right | |
| Installation on plinth | 9237433 | 9237434 | 100 ea. |
| Installation under plinth | 9237434 | 9237433 | 100 ea. |

Centre hinge, fast installation



- ▶ Centre hinge, comprising 2 components
- ▶ Tool-less door panel installation
- ▶ For easy screw mounting on door panel
- ▶ Plastic, grey (1), galvanised steel (2)

| Version | Alternative | Order no. | PU |
|-------------------|-------------|------------------|---------|
| Hinge component 1 | 1 077 338 | 9 229 920 | 200 ea. |
| Hinge component 2 | 1 077 339 | 9 236 605 | 400 ea. |

* Not available until January 2018, use alternative until this time

Centre hinge with adjustable offset pivot



- ▶ Centre hinge for folding doors
- ▶ For door thicknesses from 15 mm
- ▶ Same drilling pattern for door and side element, both elements are mounted separately
- ▶ The reveal can be infinitely adjusted from minimum reveal to + 4 mm, application is always flush
- ▶ Gradual adjustment of the pivot offset with 0 mm, 3 mm and 6 mm
- ▶ Zinc die-cast nickel plated

| Mounting option | Order no. | PU |
|-----------------|------------------|--------|
| For pressing in | 0 052 095 | 10 ea. |

Folding door system

- ▶ WingLine L / attached to the side
- ▶ System components

Runner profile



- ▶ For screwing on

| Length mm | Finish | Order no. | PU |
|-----------|----------------------|------------------|---------|
| 2000 | powder coated, white | 9 002 063 | 100 ea. |
| 2000 | silver anodized | 9 013 759 | 110 ea. |

Guide profile



- ▶ For screwing on
- ▶ Aluminium, silver anodized

| Length mm | Order no. | PU |
|-----------|------------------|-------|
| 2000 | 0 072 919 | 4 ea. |

Cover cap for running component for door wings weighing up to 25 kg



- ▶ For covering running components for door wings weighing up to 25 kg
- ▶ Plastic, grey

| Order no. | PU |
|------------------|---------|
| 9 227 326 | 500 ea. |

Door damper



- ▶ Prevents running and guide component from colliding with the side panel
- ▶ One door damper must be fitted for each running and guide component
- ▶ Can be shortened as required to suit door overlay
- ▶ Plastic, grey

| Order no. | PU |
|------------------|---------|
| 9 236 926 | 500 ea. |

Folding door system

- ▶ WingLine L / attached to the side
- ▶ System components

Stay open element



- ▶ Holds door set in opened position
- ▶ Prevents the door set from springing back
- ▶ One stay open element must be used for each door set
- ▶ Not needed when using Push to move, Pull to move or Pull to move Silent
- ▶ Plastic, grey

| Hinge side of cabinet | Order no. | PU |
|-----------------------|------------------|---------|
| left | 9 237 710 | 500 ea. |
| right | 9 237 711 | 500 ea. |

Positioning aid centre hinge



- ▶ For easily defining the right drilling position for the fast assembly centre hinge
- ▶ 2 mm, 3 mm, 4 mm and 7 mm centre reveal possible
- ▶ Plastic, grey

| Order no. | PU |
|------------------|---------|
| 9 237 039 | 100 ea. |

Door protection clip



- ▶ Prevents a bowing door from colliding with the centre panel on closing
- ▶ Installed on the side panel in hole line 37 or 28
- ▶ Plastic, grey

| Order no. | PU |
|------------------|---------|
| 9 236 460 | 500 ea. |

Profile support



- ▶ Supports the runner profile at the end of the profile
- ▶ Use is recommended if the last screw on position cannot be used in the profile for design reasons
- ▶ Plastic, grey

| Order no. | PU |
|------------------|---------|
| 9 236 461 | 500 ea. |

Profile mounting clip

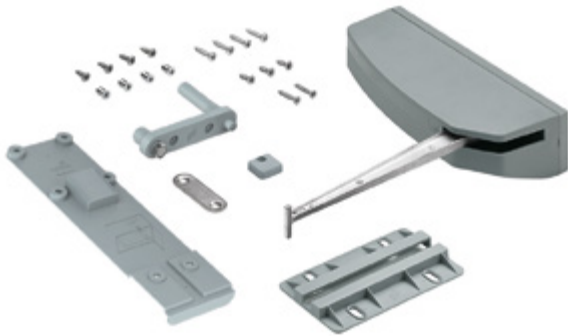


- ▶ Securely holds the profiles in the correct screw mounting position
- ▶ Installation clip can be used on the runner profile and guide profile (on and under the plinth)
- ▶ Plastic, grey

| Order no. | PU |
|------------------|---------|
| 9 237 758 | 500 ea. |

- ▶ WingLine L / attached to the side
- ▶ System components

Push to move



- ▶ Mechanism for automatic, soft opening of a door set by pressing on the handleless front
- ▶ Set contains all the parts required for opening a folding sliding door with 2 wings

Set comprises:

- ▶ 1 Push to move unit
- ▶ 1 support unit with 1 Push to open Pin and 1 magnet
- ▶ 1 magnetic counterplate
- ▶ 1 activator
- ▶ 1 door rail
- ▶ 1 positioning aid
- ▶ Fixing screws

Advice:

- ▶ Please order profiles and fittings separately
- ▶ Carcase hinges without self closing feature must be used in combination with Push to move. Recommendation: Sensys 8675, opening angle 110°

| Version | Order no. / Hinge side of cabinet | | PU |
|---------|-----------------------------------|-----------|-------|
| | left | right | |
| light | 9 238 102 | 9 238 113 | 1 set |
| medium | 9 238 051 | 9 238 101 | 1 set |
| heavy | 9 238 052 | 9 238 053 | 1 set |

Pull to move



- ▶ Mechanism for automatic, soft opening of a door set with minimal pull on the handle
- ▶ Set contains all the parts required for opening a folding sliding door with 2 wings

Set comprises:

- ▶ 1 Pull to move unit
- ▶ 1 support unit with 2 magnets
- ▶ 2 magnetic counterplates
- ▶ 1 door rail
- ▶ 1 positioning aid
- ▶ Fixing screws

Advice:

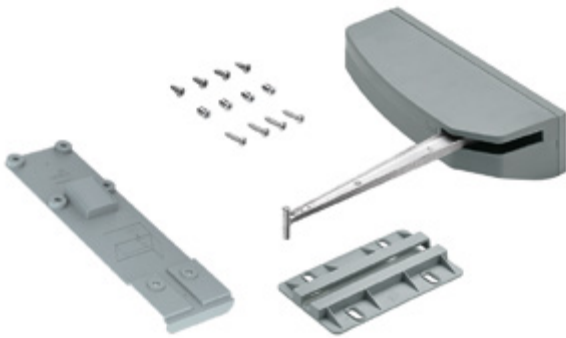
- ▶ Please order profiles and fittings separately
- ▶ Carcase hinges without self closing feature must be used in combination with Pull to move. Recommendation: Sensys 8675, opening angle 110°

| Version | Order no. / Hinge side of cabinet | | PU |
|---------|-----------------------------------|-----------|-------|
| | left | right | |
| light | 9 238 117 | 9 238 118 | 1 set |
| medium | 9 238 115 | 9 238 116 | 1 set |
| heavy | 9 238 125 | 9 238 114 | 1 set |

Folding door system

- ▶ WingLine L / attached to the side
- ▶ System components

Pull to move Silent



- ▶ Mechanism for automatic, soft opening of a door set with a light pull on the handle
- ▶ Silent and soft closing of the door set with Sensys carcass hinge
- ▶ Set contains all the parts required for opening a folding sliding door with 2 wings

Set comprises:

- ▶ 1 Pull to move Silent unit
- ▶ 1 door rail
- ▶ 1 positioning aid
- ▶ Fixing screws

Advice:

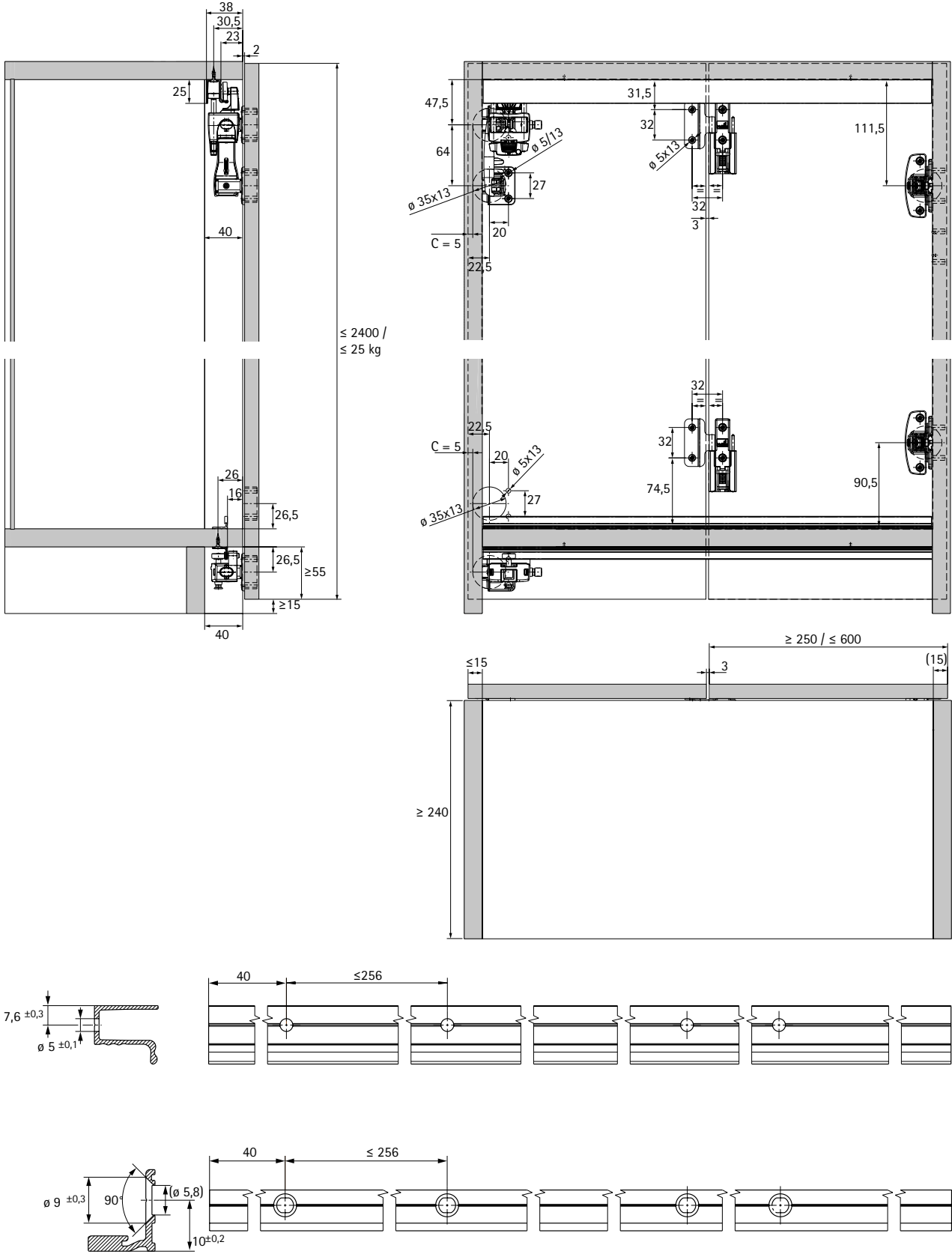
- ▶ Please order profiles and fittings separately
- ▶ Carcase hinges with self closing feature must be used in combination with Push to move Silent. Recommendation: Sensys 8645, opening angle 110°

| Version | Order no. / Hinge side of cabinet | | PU |
|---------|-----------------------------------|-----------|-------|
| | left | right | |
| light | 9 238 120 | 9 238 119 | 1 set |
| medium | 9 238 121 | 9 238 124 | 1 set |
| heavy | 9 238 123 | 9 238 122 | 1 set |

Folding door system

- ▶ WingLine L / attached to the side
- ▶ Planning dimensions

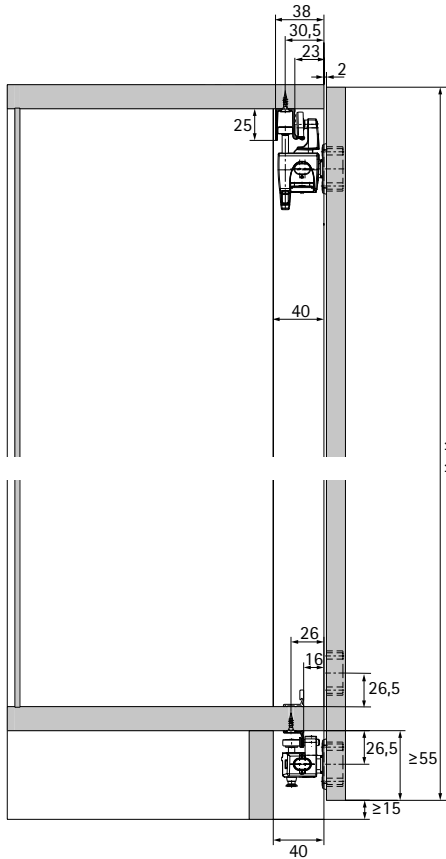
WingLine L max. door wing weight 25 kg



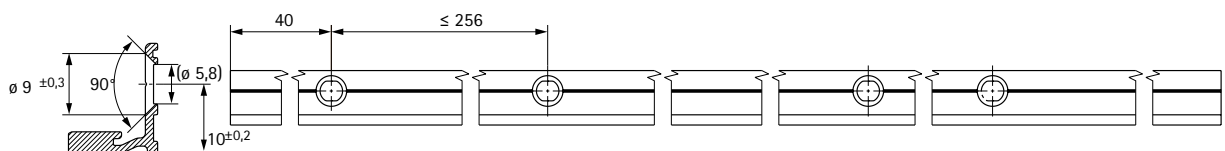
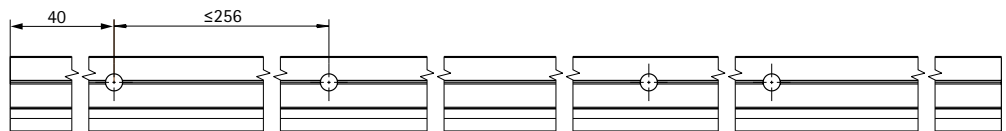
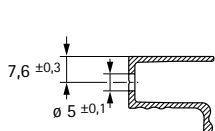
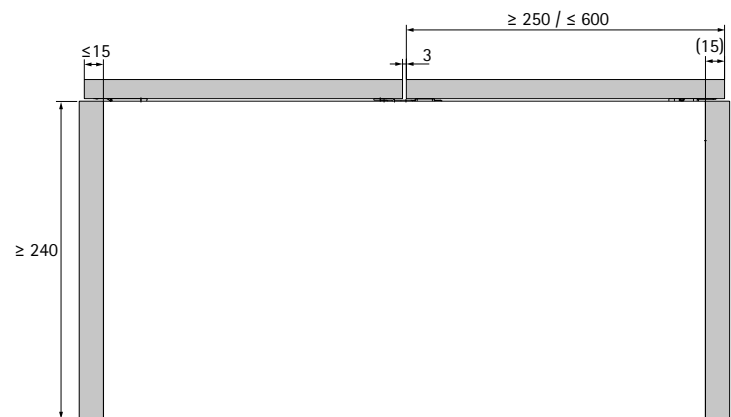
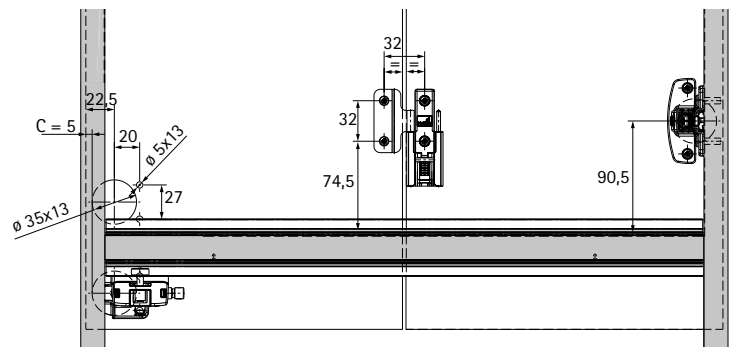
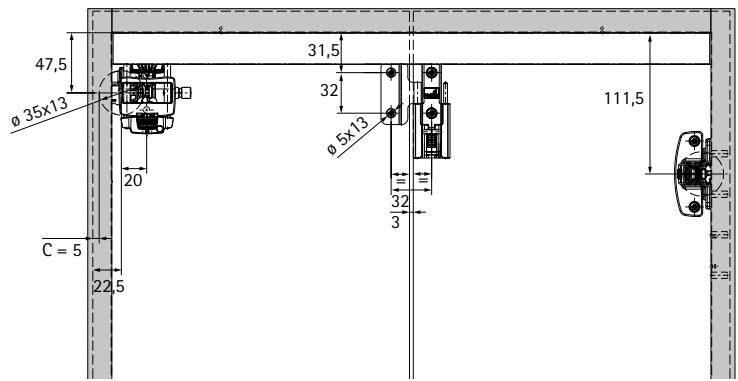
Folding door system

- ▶ WingLine L / attached to the side
- ▶ Planning dimensions

WingLine L max. door panel weight 12 kg



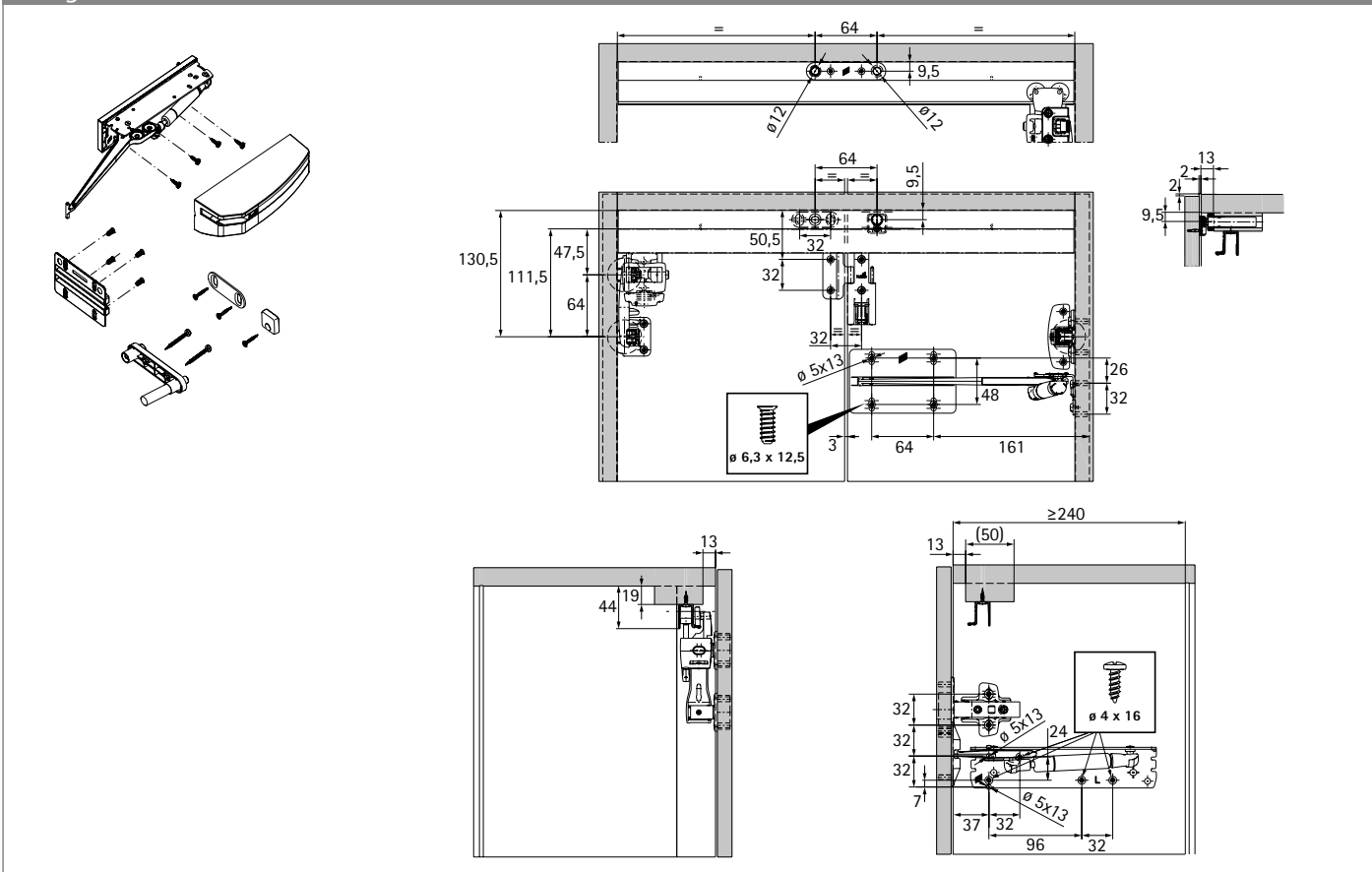
≤ 2400 /
≤ 12 kg



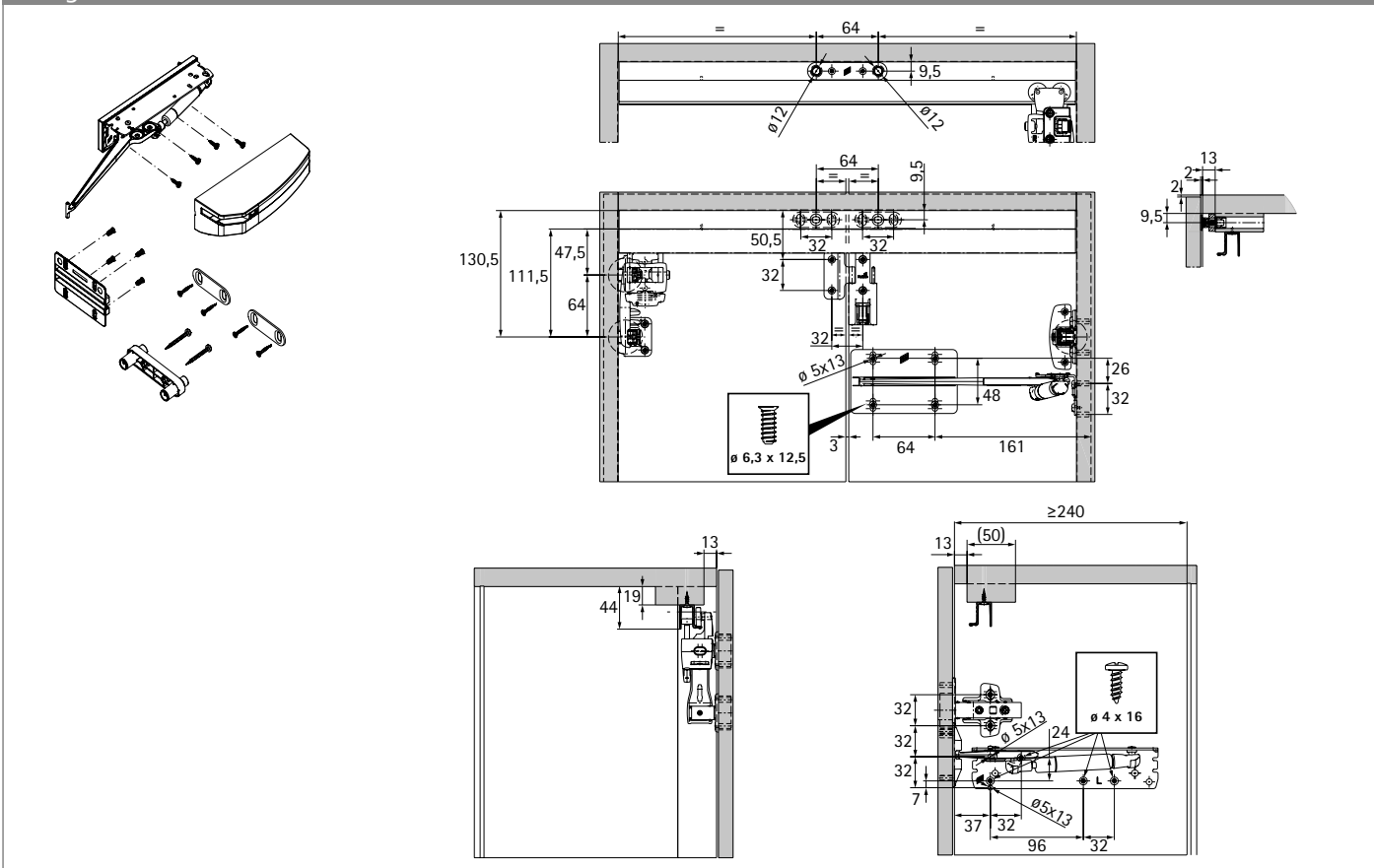
Folding door system

- ▶ WingLine L / attached to the side
- ▶ Planning dimensions

WingLine L with Push to move



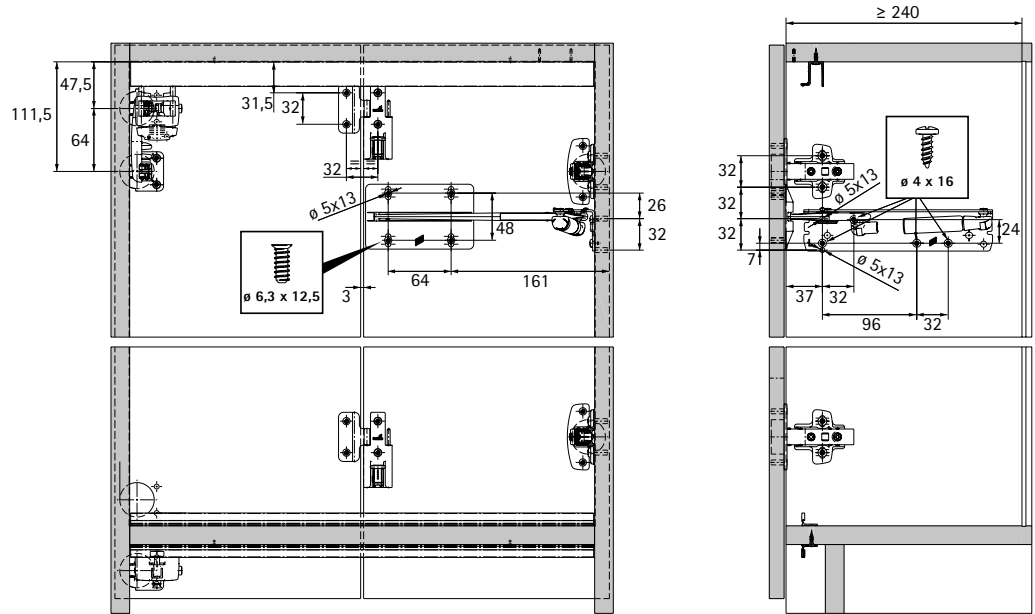
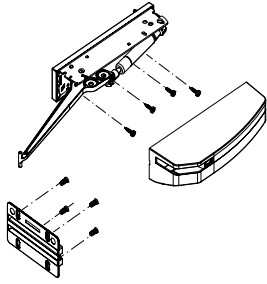
WingLine L with Pull to move



Folding door system

- ▶ WingLine L / attached to the side
- ▶ Planning dimensions

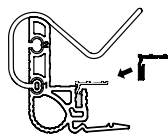
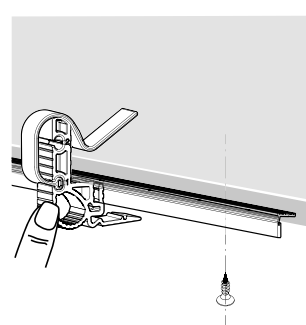
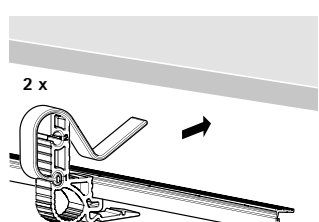
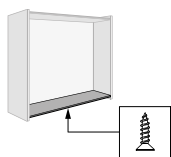
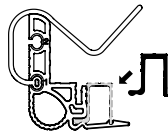
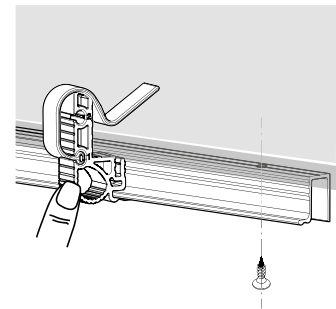
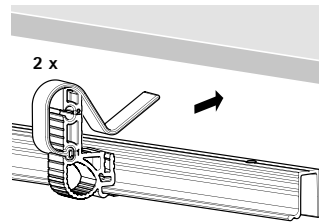
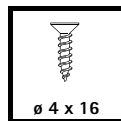
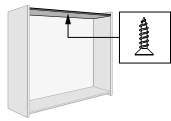
WingLine L with Pull to move Silent



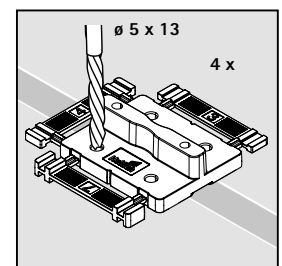
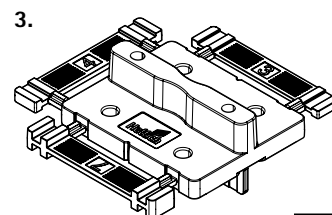
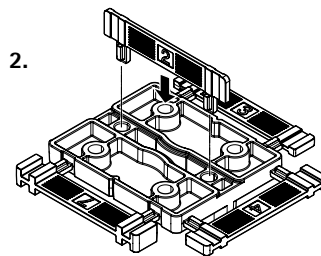
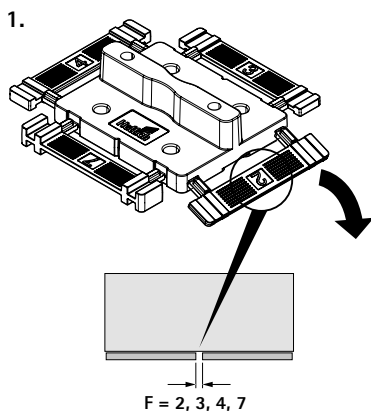
Folding door system

- ▶ WingLine L / attached to the side
- ▶ Installation

Installing runner and guide profiles



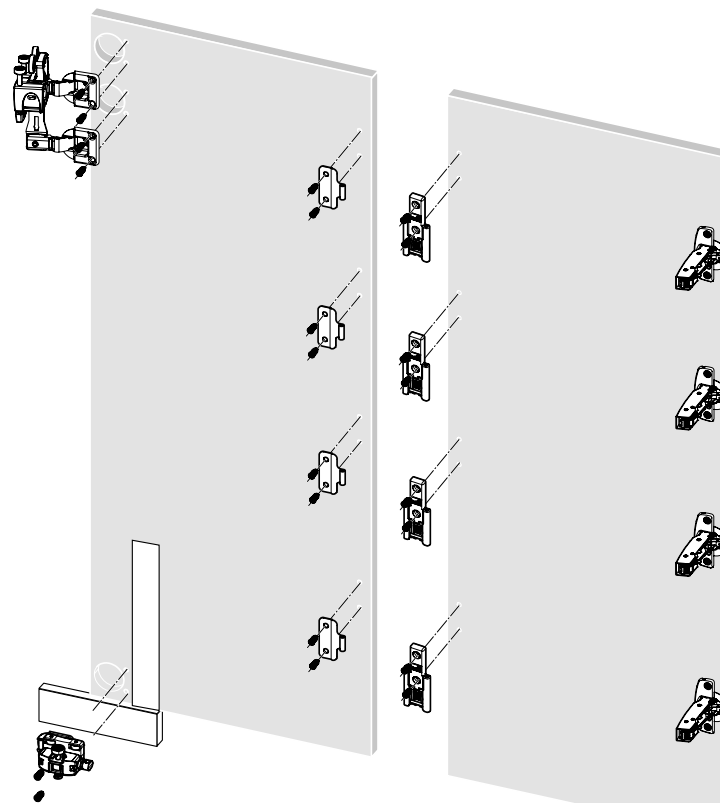
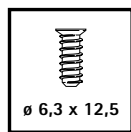
Positioning centre hinges



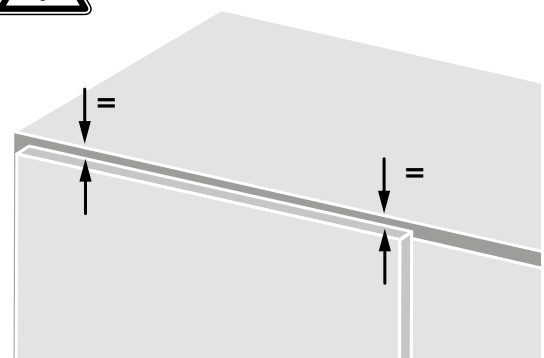
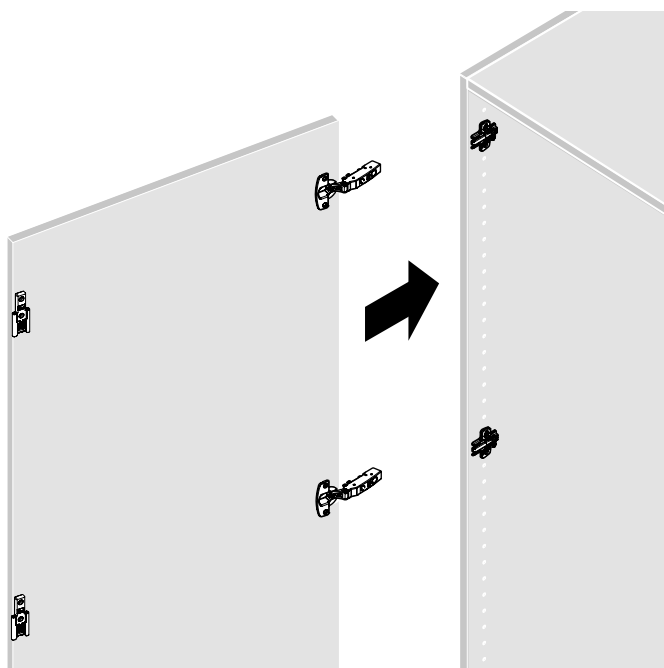
Folding door system

- ▶ WingLine L / attached to the side
- ▶ Installation

Installing fitting components



Installing first door wing

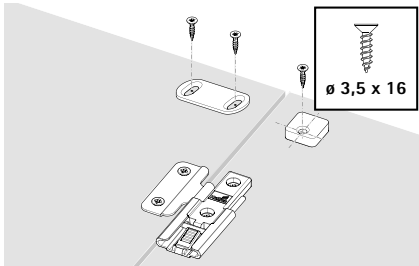
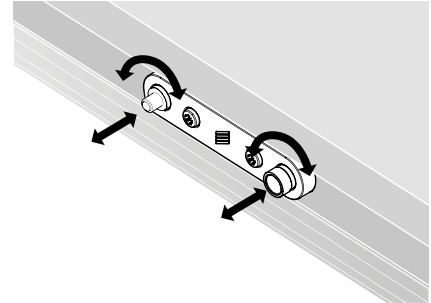
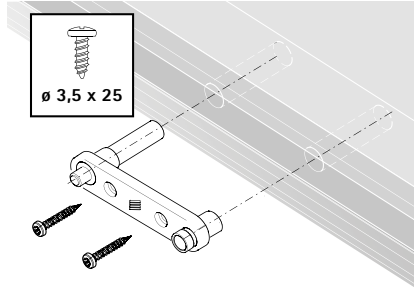
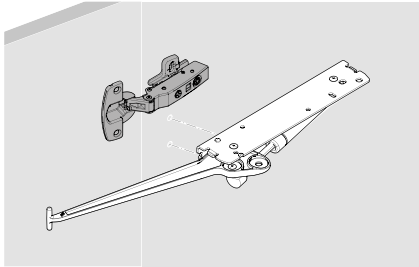


Folding door system

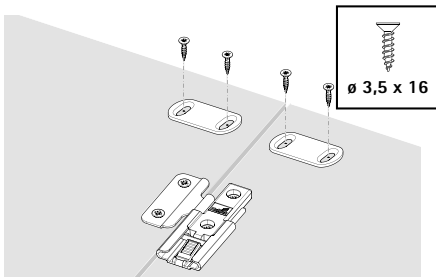
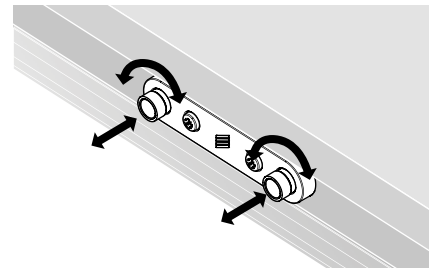
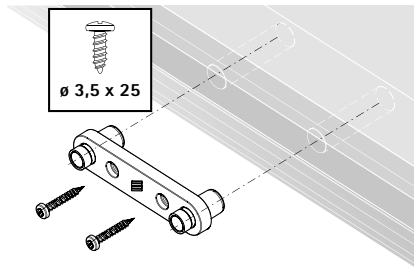
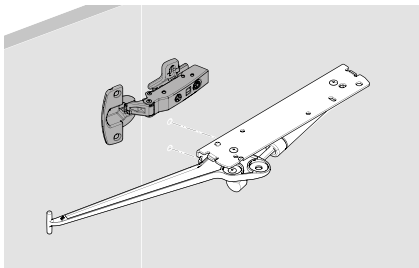
- ▶ WingLine L / attached to the side
- ▶ Installation

Installing Push to move / Pull to move / Pull to move Silent

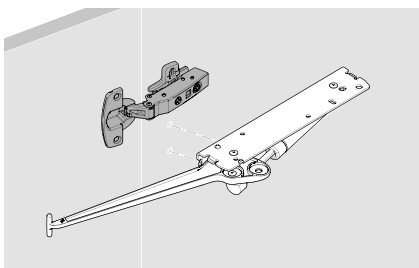
Push to move



Pull to move



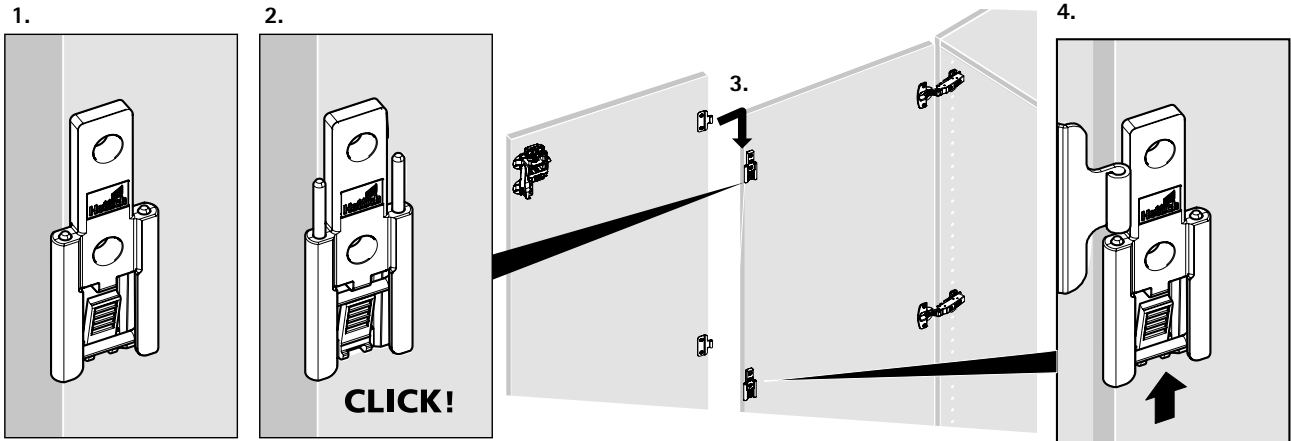
Pull to move Silent



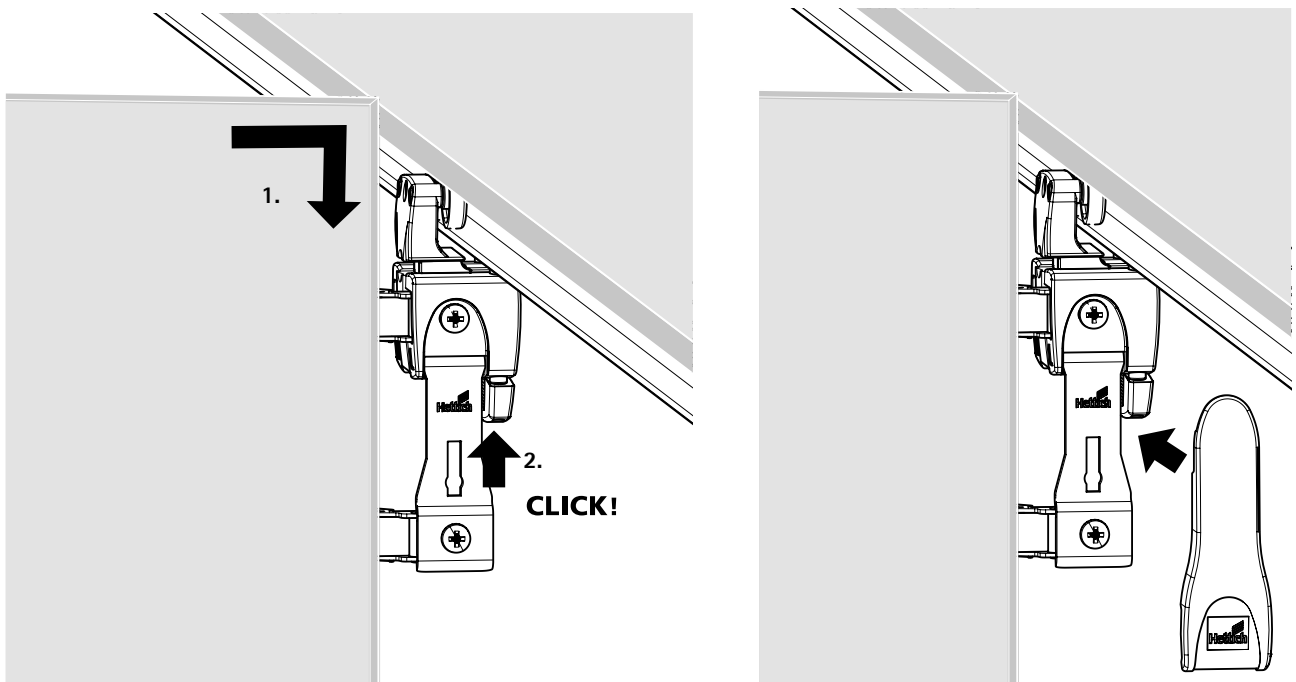
Folding door system

- ▶ WingLine L / attached to the side
- ▶ Installation

Toolless fast installation of the second door wing



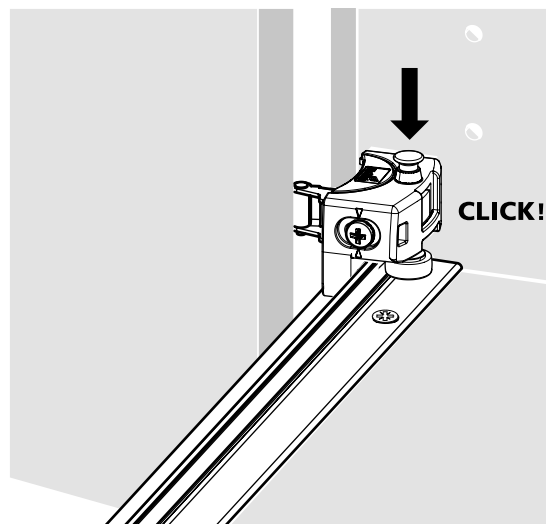
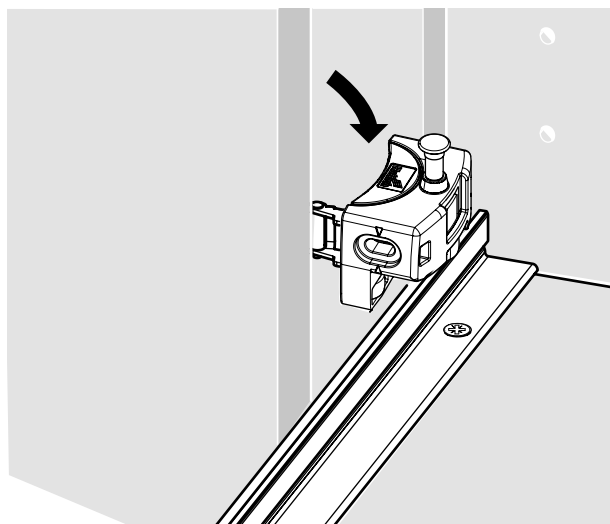
Tool-less running component fast assembly



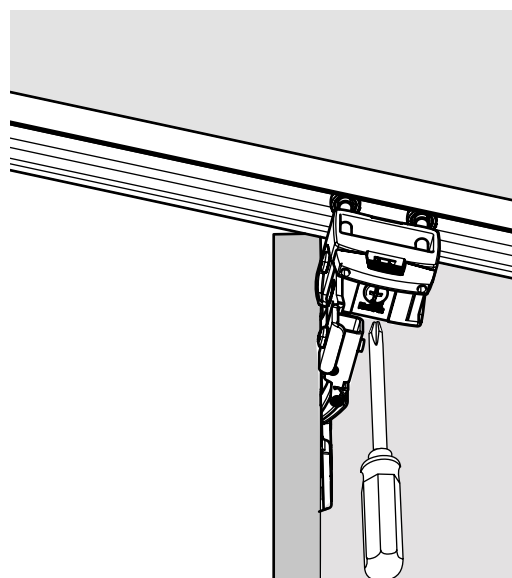
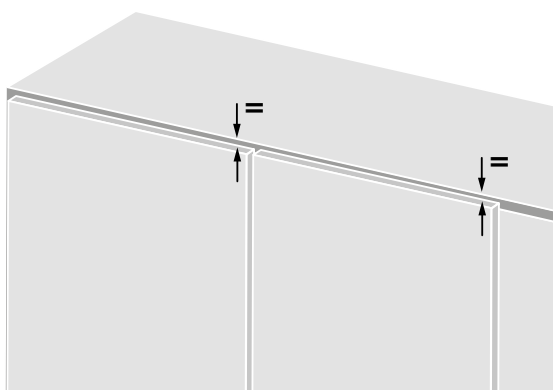
Folding door system

- ▶ WingLine L / attached to the side
- ▶ Installation

Tool-less fast assembly of guide components



Height adjustment at the running component



We are improving our environmental performance – as proven by EMAS, the world's most stringent environmental management system.



Our corporate principles include taking responsibility for preserving the natural basis of life. This is where we regard statutory provisions as minimum requirements. Over and above meeting statutory requirements, it is imperative for all members of staff to act in a way that conserves energy and resources in their own particular work environment in order to overcome the global ecological challenges of the near future. In the same way, using energy and resources efficiently also plays a key part in maintaining our competitive edge.

The group wide Environmental Department was established back in 1992, with its sustainability principles of environmental protection and occupational health and safety having consistently set the framework for leading the company group forward in this direction since 1993. Introduced in 1996, the environmental management systems complying with the European EMAS Regulation (Eco Management and Audit Scheme), including ISO 14.001, are of central importance in this context. These implemented a targeted approach to identifying and realising the potentials for using energy and resources in an efficient manner as well as to ensuring conformity with the law. The results are nothing short of impressive.

Environmentally friendly projects

Innovative projects are the mark of our approach to environmental management. For instance, the primary-energy requirement of our new production facilities is up to 75% below the specifications demanded in building legislation. The exemplary, consistent use of wood-based materials in constructing our commercial buildings puts us on the forefront of using resource-conserving, renewable building materials that take enormous quantities of climate-damaging CO₂ out of the atmosphere while they are growing.

Since 2015, we have been trying out three new vehicles, each employing different propulsion systems, to test the practical suitability of electric mobility in a variety of usage situations. At our Indian production plant, heavy metals are absorbed from concentrated waste water using an innovative method that involves living algae. At our factory in China, a solar-powered system provides staff accommodation and the canteen with hot water.

Success stories

Between 1997 and 2015, for example, we have managed to reduce environmental pollution from manufacturing our drawer runners and drawer systems at the Kirchlengern-Bünde production facility as follows:

- ▶ **Specific water consumption** 45 %
- ▶ **Specific power consumption** 10 %
- ▶ **Specific heat consumption** 73 %
- ▶ **Specific CO₂ emission** 30 %

Numerous awards reflect our commitment to the environment. In 2009, the European Commission gave our zero-energy Hettich Forum building the Green Building Award at national level. In 2016, we won the sustainability prize from the East Westphalian Business Environment Foundation for an environment education project carried out over 20 years.

Technik für Möbel



www.hettich.com

1708-039_WingLine_L_0917_HNZ/en

Technik für Möbel

