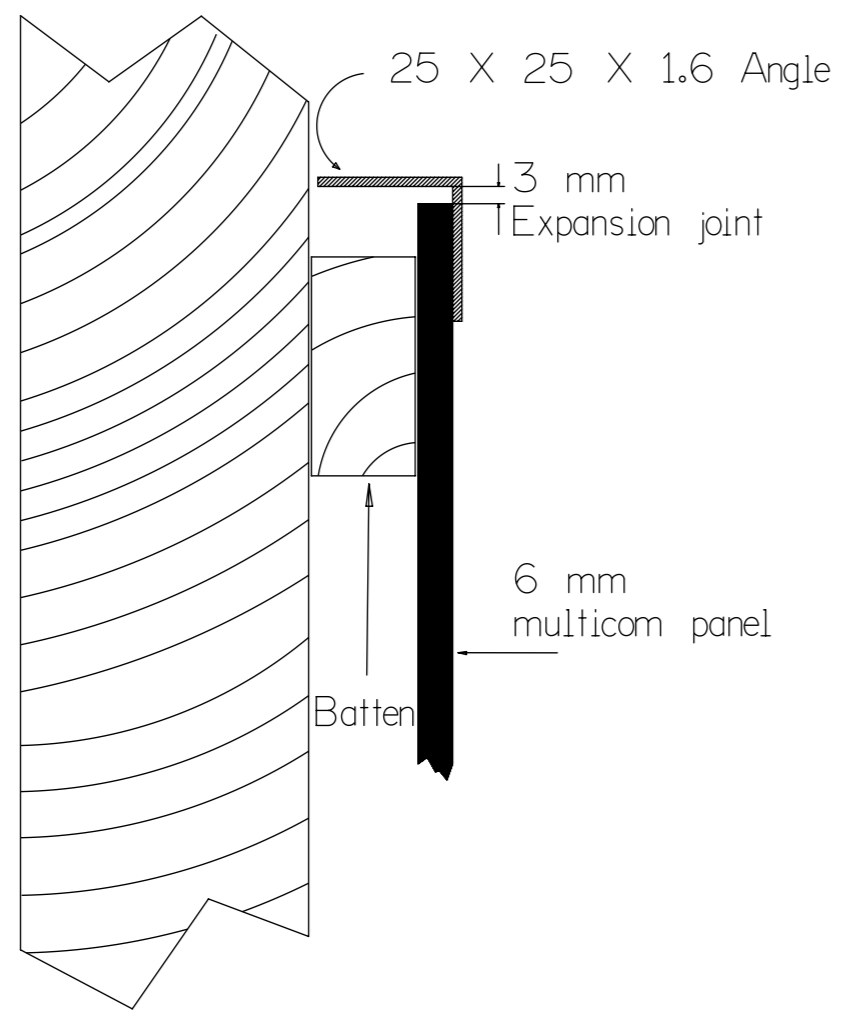
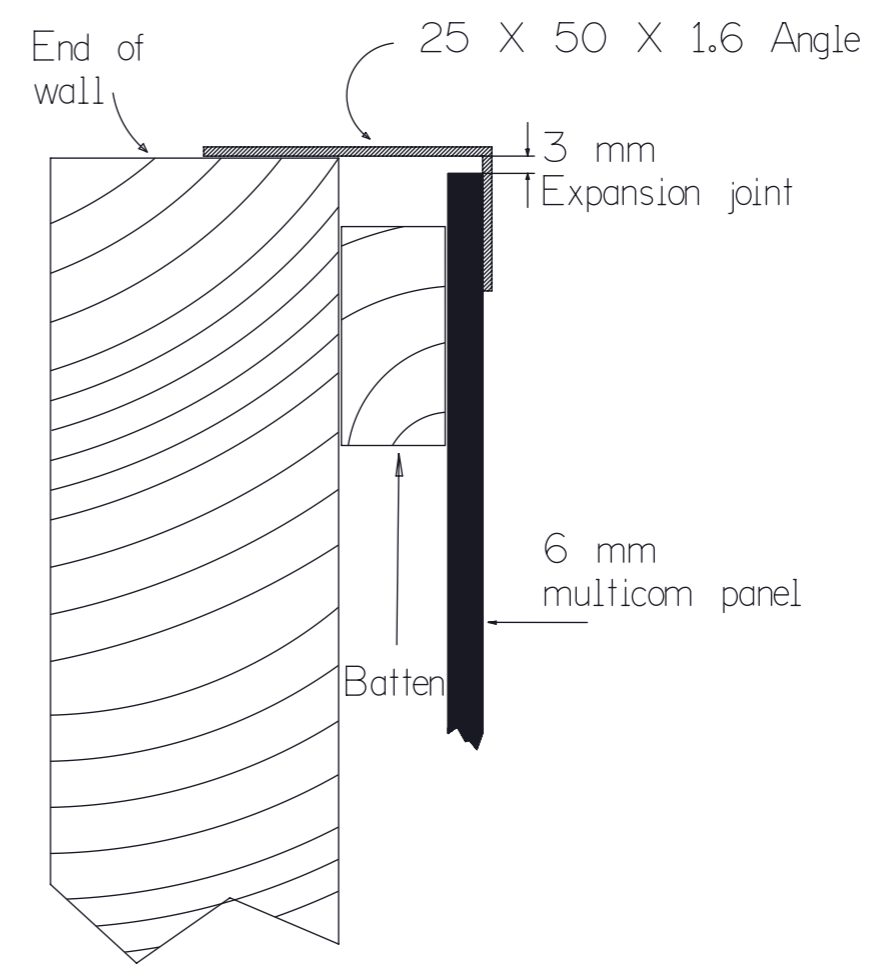


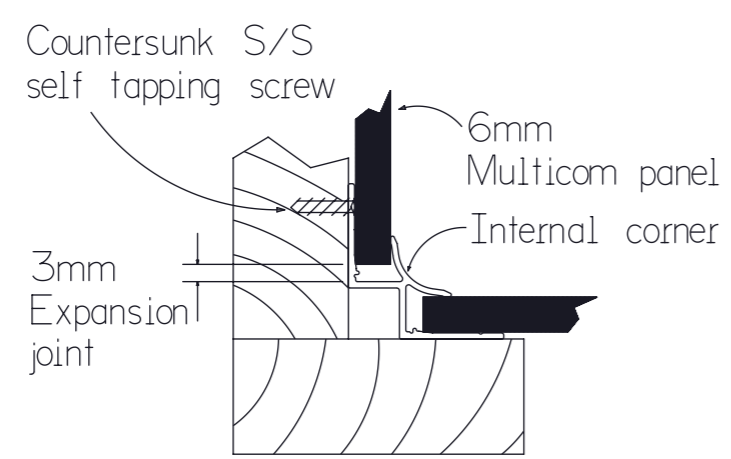
ANGLE RETURN 5510



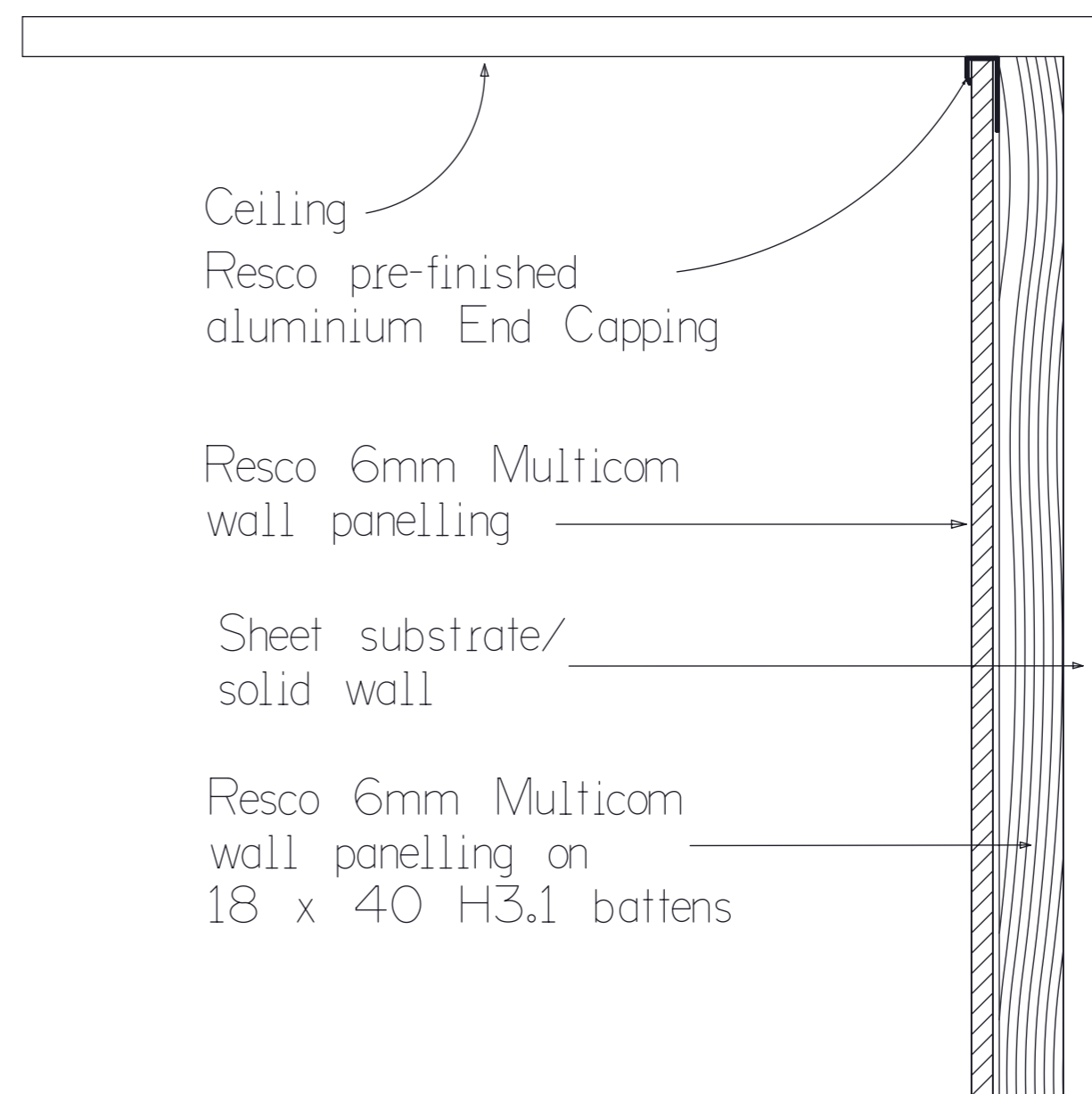
ANGLE RETURN X223



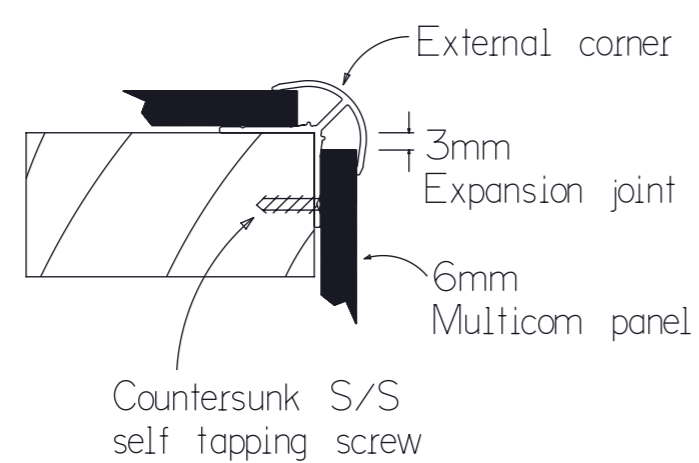
INTERNAL CORNER 5063



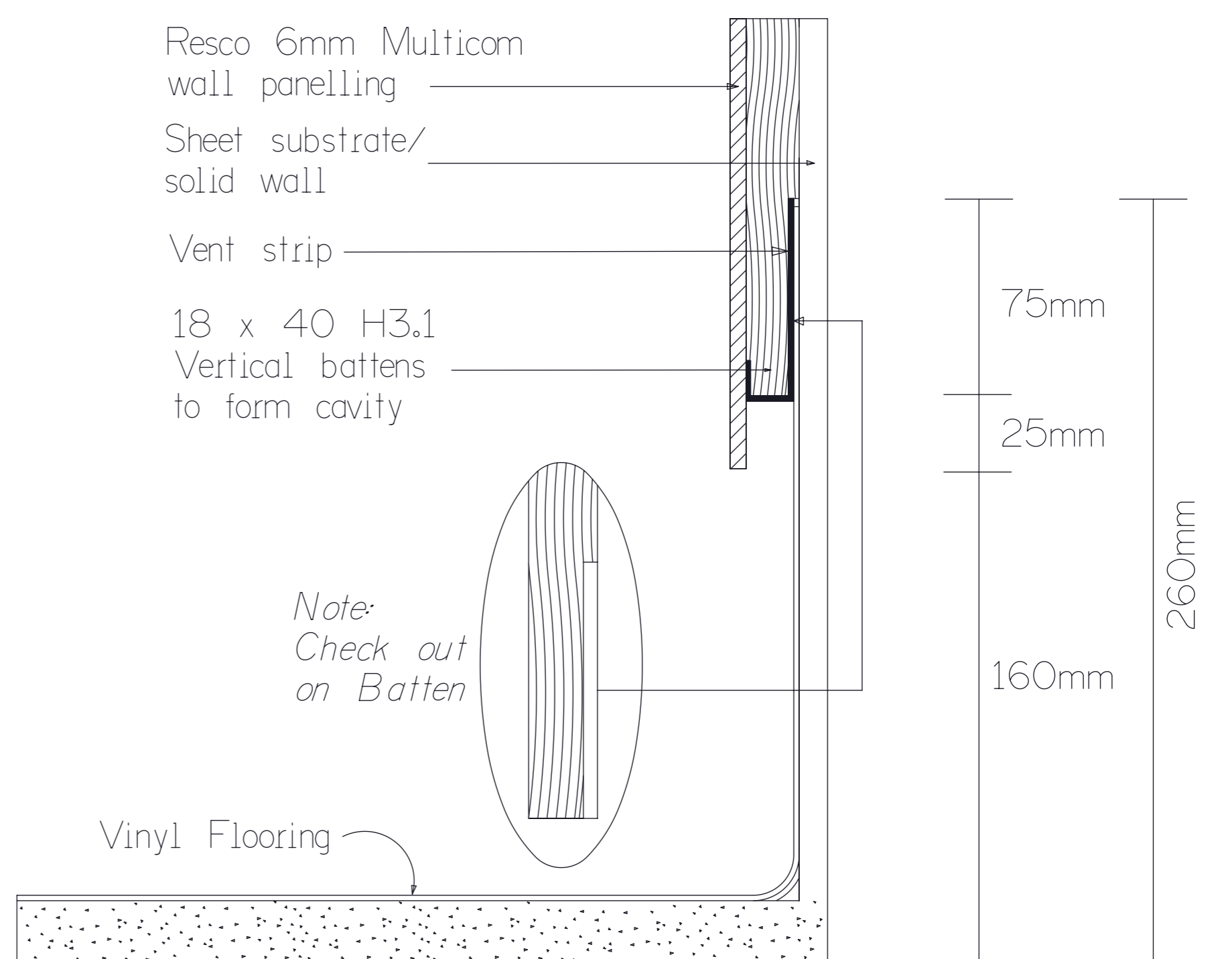
TYPICAL CORNICE DETAIL



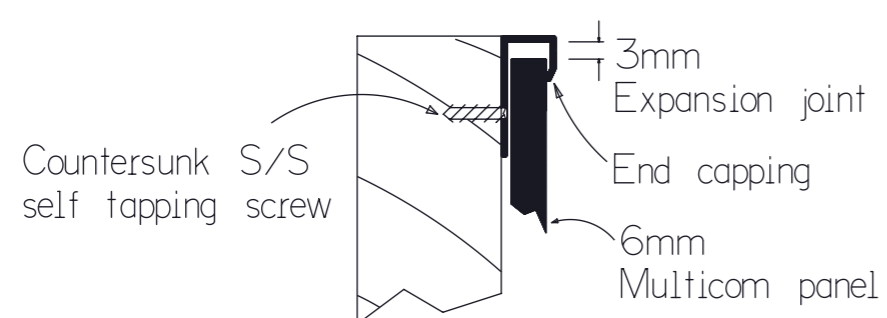
EXTERNAL CORNER 5064



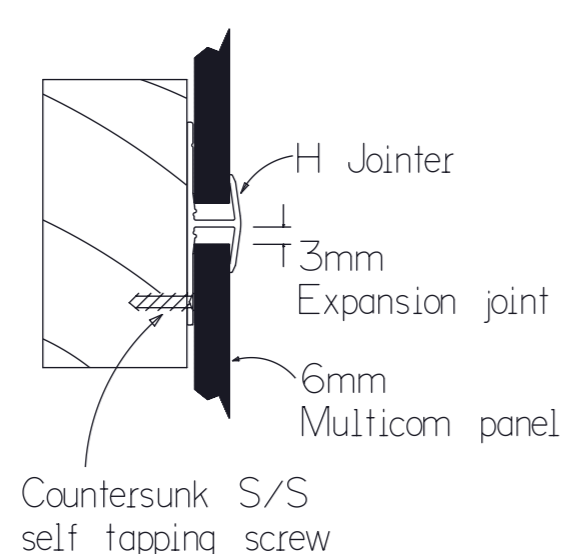
TYPICAL FLOOR UPSTAND DETAIL




END CAPPING AL-1461



H JOINTER 4945



Key	NZBC G1/AS1 min Req. ■	Resco Standard ■
RESOCO	Drawing Name Multicom	
	Scale	Date DEC 2014
Resco Limited Ph: 09 415 4720 Or: 07 850 1025 www.resco.co.nz	System Multicom	Code NZBC G1/AS1
	 Issue 1	