

FLOOR BOX

CODE: FB599

- Square floor box with round cast aluminium lid.
- Robust and large capacity cable exit flap with lifting loop.
- Large outlet capacity.

CAST ALUMINIUM SURFACE LID

5 MM REBATE LID/DEEP SQUARE BOX

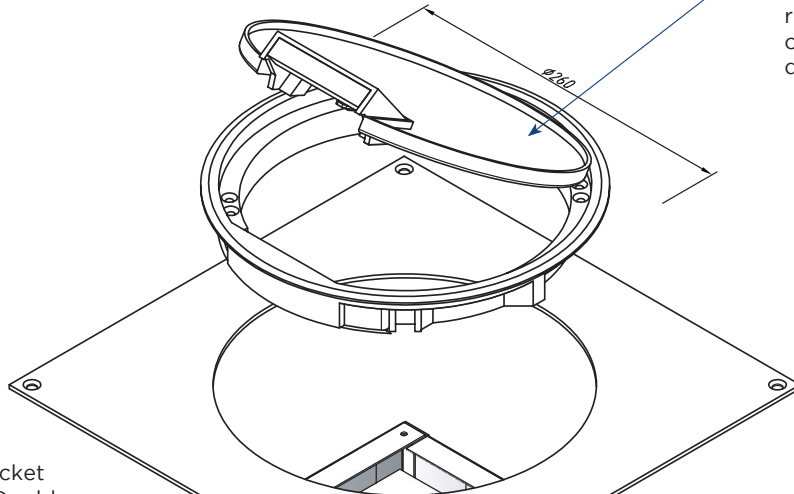
**BEVELLED EDGE:
FITS ON TOP OF FLOORING**



LID SIZE:	260 mm Ø
BOX SIZE:	350 x 350 x 115 mm Deep
RECESS SIZE:	360 x 360 x 125 mm Deep
SUPPLIED WITH:	4 x Standard Double Socket Outlets 2 x Standard Double Data Plates
SUITABLE FOR:	Category 6A Cabling

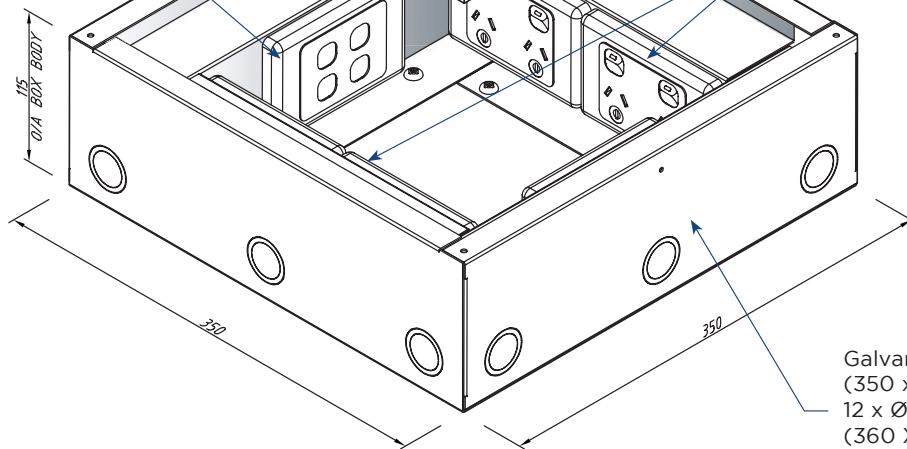
FB599 ASSEMBLY

FB599 cast aluminium lid and frame assembly with 5 mm rebate, cable exit flap with dust cover and lifting loop (overall lid diameter 260 mm)

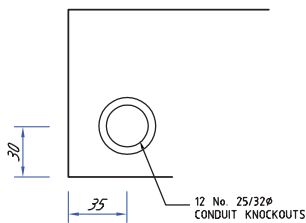


Outlet mounting bracket to suit 1 x Standard Double Data Plate (2 Brackets per box on opposite sides)

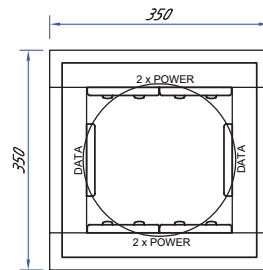
Outlet mounting bracket to suit 2 x Standard Double Socket Outlets (2 Brackets per box on opposite sides)



Galvanised steel box body (350 x 350 x 120mm deep)
12 x Ø25/Ø32 conduit knockouts (360 X 360 x 12 mm deep recess)



TYPICAL CONDUIT LOCATION & SIZE



FLOOR BOX PLAN

All dimension quoted are nominal only. Drawings, images and text are for illustrative purposes only and product details and dimensions are subject to change without notice.

This product is not suitable for use in wet areas. It is intended for use with fixed wiring only and must be installed according to the AS/NZ 3000 Wiring Rules.