

# FLOOR BOX

## 'HEAVY DUTY'

### CODE: FB4SHD

- Stainless flush floor box, **heavy duty** with square edged lid
- Load rated – suitable for vehicular traffic.
- Robust and large capacity cable exit flap with retracting handle.
- Modular box body and lid design, interchangeable with plastic and other lids in the floor box range.

**STAINLESS FLUSH REVERSIBLE LID**

**SOLID LID/DEEP BOX**

**SQUARE EDGE:**  
FITS FLUSH WITH FLOORING FINISH

**OPTION TO FIT CAM LOCK**



<b>LID SIZE:</b>	266 x 266 mm
<b>BOX SIZE:</b>	240 x 240 x 110 mm Deep
<b>SUPPLIED WITH:</b>	2 x Standard Double Socket Outlet 2 x Standard Double Data Plates Temporary Construction Lid
<b>SUITABLE FOR:</b>	Category 6A and 7A Cabling

# FB4SHD ASSEMBLY

## POINT LOAD TABLE

LOAD TYPE	MAX. LOAD
25 x 25 Pt. Load	1400 kg
150 x 60 Wheel	1550 kg
Tot. Vehicle (1550 kg x 4 wheels)	6200 kg

Nom. Car Kerb Weight 1800Kg  
(Falcon/Commodore)

FB4SHD stainless flush plate lid and frame assembly with rubber dust seal and recessed lifting handle. Finished finish. Cam lock optional. (Overall lid size 266 x 266 mm)

Outlet mounting bracket to suit 2 x Standard Double Socket Outlets

Outlet mounting bracket to suit 2 x Standard Double Data Plates

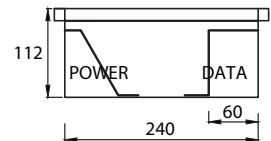


DATA PLATE VIEW

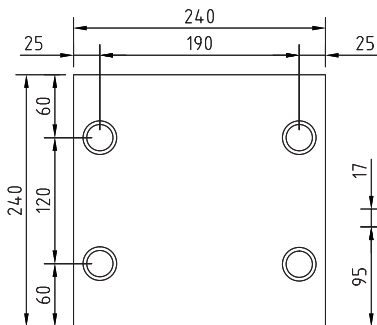
Steel box body  
(240 x 240 x 110 mm deep)  
12 x Ø25/Ø32 combination  
conduit knockouts

Optional timber floor  
fixing brackets  
Code: FBTFB

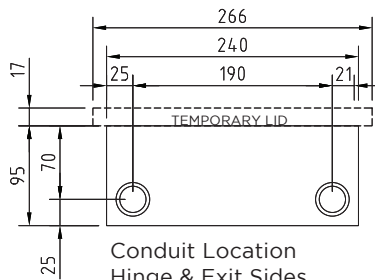
Nominal recess size  
250 x 250 x 130 mm deep  
with 266 x 266 mm lid rebate  
or 300 x 300 x 130 mm  
foam blackout



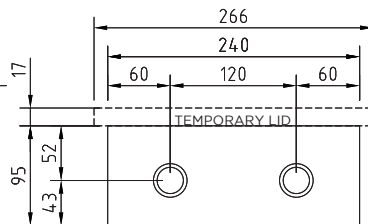
SECTION THRU' BOX



Conduit Location  
Box Base



Conduit Location  
Hinge & Exit Sides



Conduit Location  
Outlet Sides