

FLOOR BOX

'DEEP REBATE'

CODE: FB4SDR

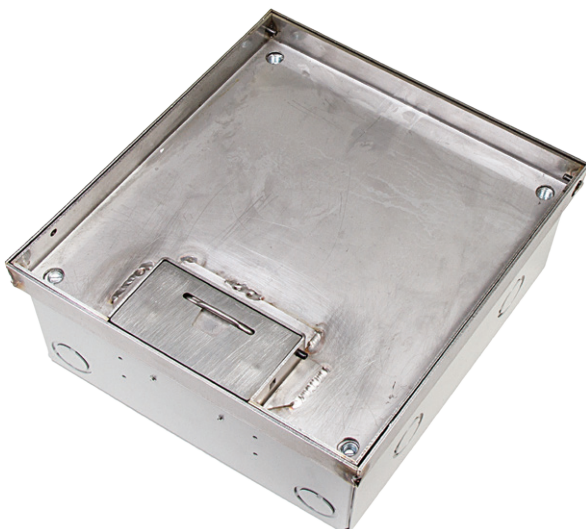
- Stainless floor box with **extra deep lid rebate** for thick timber, tile or stone floor covering.
- Robust and large capacity cable exit flap with retracting handle
- Modular box body and lid design, interchangeable with plastic and other lids in the floor box range.

STAINLESS FLUSH REVERSIBLE LID

23 MM DEEP REBATE LID/DEEP BOX

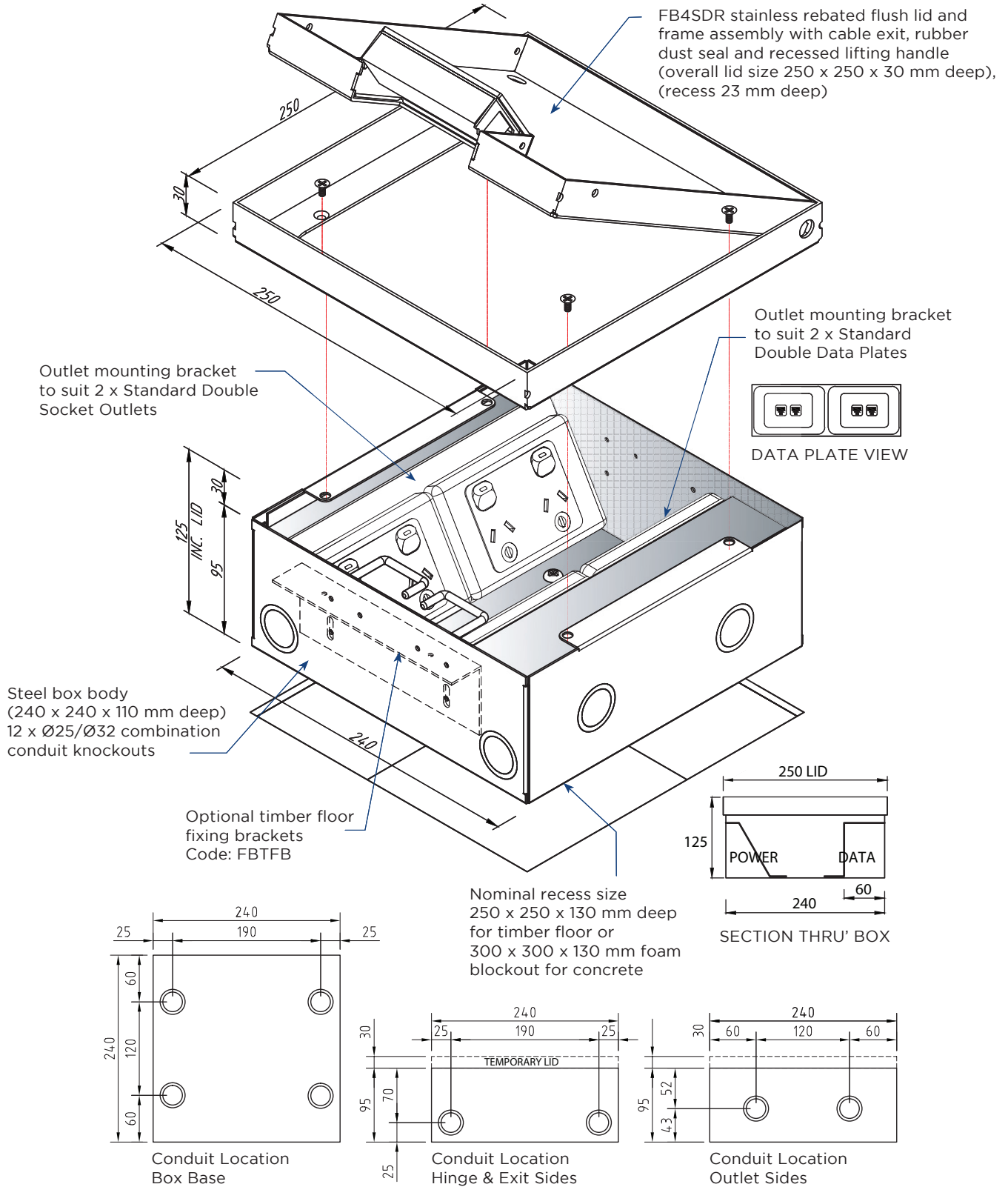
SQUARE EDGE FOR TILE/TIMBER:
FITS FLUSH WITH FLOORING FINISH

OPTION TO FIT CAM LOCK



LID SIZE: 250 x 250 x 30 mm
BOX SIZE: 240 x 240 x 125 mm Deep
SUPPLIED WITH: 2 x Standard Double Socket Outlets
2 x Standard Double Data Plates
Temporary Construction Lid
SUITABLE FOR: Category 6A & 7A Cabling

FB4SDR ASSEMBLY



All dimension quoted are nominal only. Drawings, images and text are for illustrative purposes only and product details and dimensions are subject to change without notice.

This product is not suitable for use in wet areas. It is intended for use with fixed wiring only and must be installed according to the AS/NZ 3000 Wiring Rules.

FLOOR BOX

'DEEP REBATE'

CODE: FB4SDR70

- Stainless floor box with **extra deep lid rebate** for thick timber, tile or stone floor covering.
- Robust and large capacity cable exit flap with retracing handle.
- Modular box body and lid design, interchangeable with plastic and other lids in the floor box range.

STAINLESS FLUSH REVERSIBLE LID

23 MM DEEP REBATE LID/SHALLOW BOX

SQUARE EDGE FOR TILE/TIMBER:
FITS FLUSH WITH FLOORING FINISH

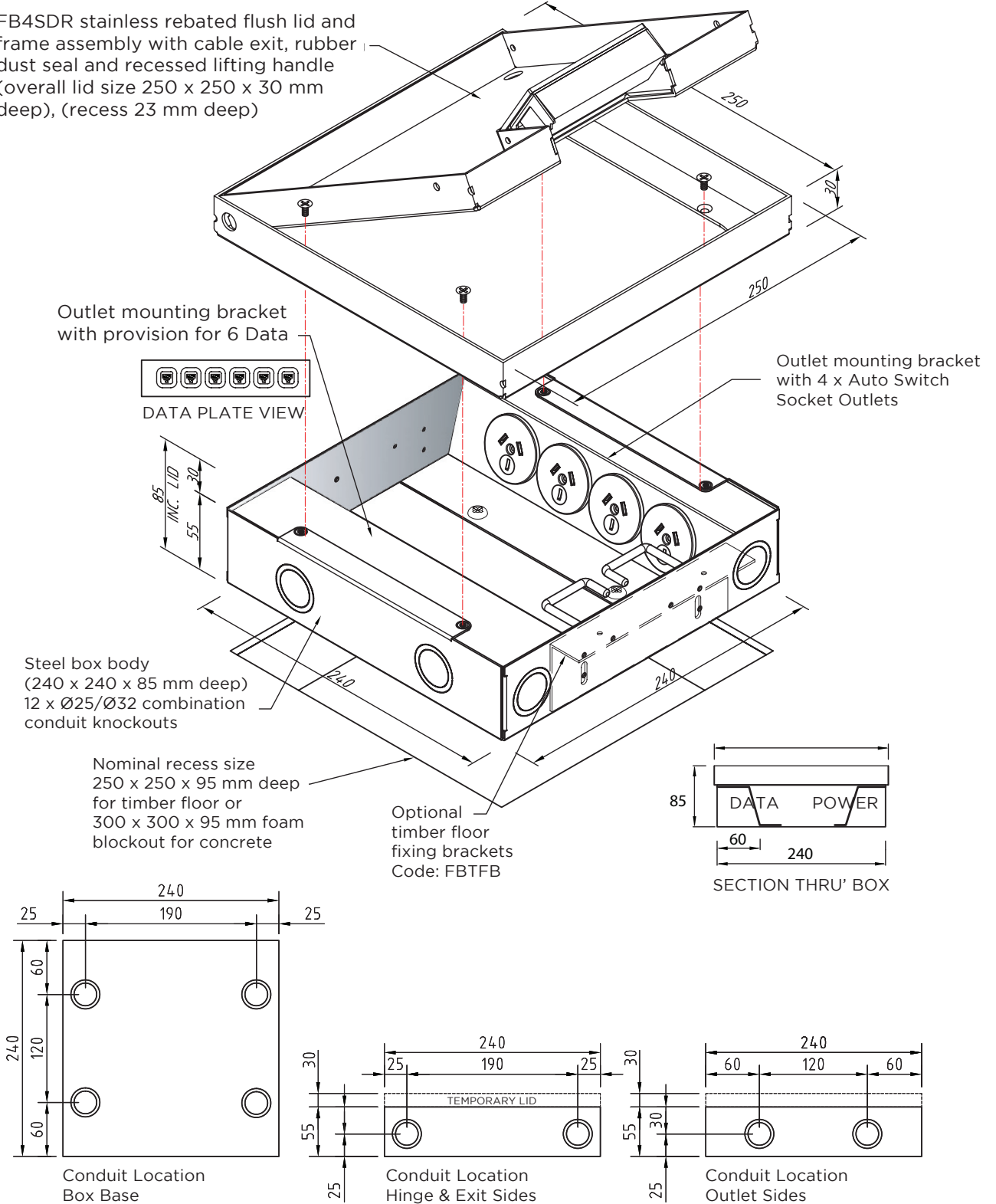
OPTION TO FIT CAM LOCK



LID SIZE:	250 x 250 x 30 mm
BOX SIZE:	240 x 240 x 85 mm Deep
SUPPLIED WITH:	4 x Single Auto Switched Socket Outlets 6 x Data Mounts Temporary Construction Lid
SUITABLE FOR:	Category 6A & 7A Cabling

FB4SDR70 ASSEMBLY

FB4SDR stainless rebated flush lid and frame assembly with cable exit, rubber dust seal and recessed lifting handle (overall lid size 250 x 250 x 30 mm deep), (recess 23 mm deep)



All dimension quoted are nominal only. Drawings, images and text are for illustrative purposes only and product details and dimensions are subject to change without notice.

This product is not suitable for use in wet areas. It is intended for use with fixed wiring only and must be installed according to the AS/NZ 3000 Wiring Rules.