

# FLOOR BOX

## 'THREE SIDED CABLE EXIT'

### CODE: FB4MU

- Stainless floor box providing power and data to open plan areas.
- Rubber cable exit flaps to all three sides enable cables to safely exit the lid at any point.
- Modular box body and lid design, interchangeable with plastic and other lids in the floor box range.

**STAINLESS SURFACE REVERSIBLE LID**

**SOLID LID/DEEP BOX**

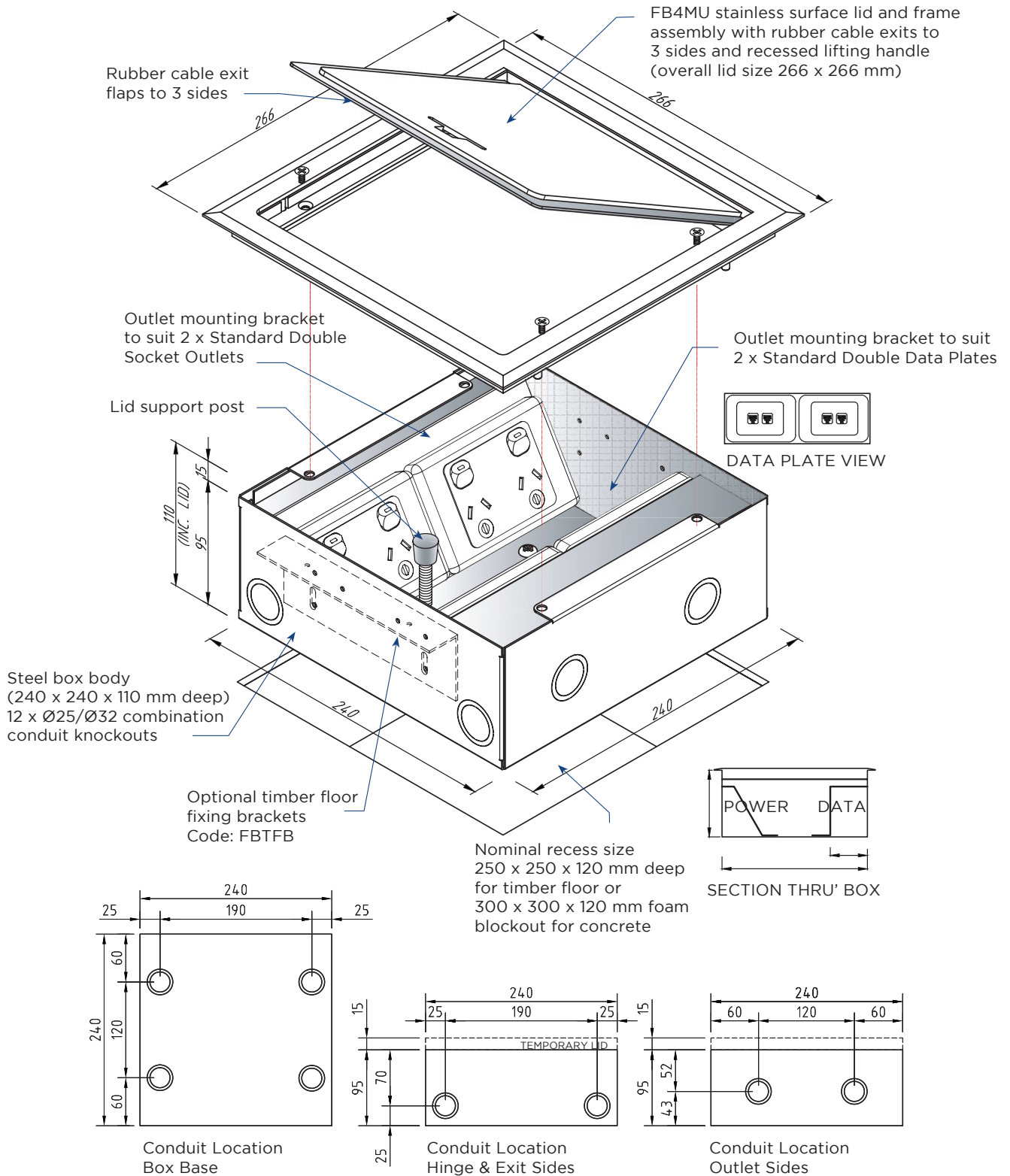
**BEVELLED EDGE:**  
FITS ON TOP OF FLOORING FINISH

**OPTION TO FIT CAM LOCK**



<b>LID SIZE:</b>	266 x 266 mm
<b>BOX SIZE:</b>	240 x 240 x 110 mm Deep
<b>SUPPLIED WITH:</b>	2 x Standard Double Socket Outlets 2 x standard Double Data Plates Temporary Construction Lid
<b>SUITABLE FOR:</b>	Category 6A and 7A Cabling

# FB4MU ASSEMBLY



All dimension quoted are nominal only. Drawings, images and text are for illustrative purposes only and product details and dimensions are subject to change without notice.

This product is not suitable for use in wet areas. It is intended for use with fixed wiring only and must be installed according to the AS/NZ 3000 Wiring Rules.