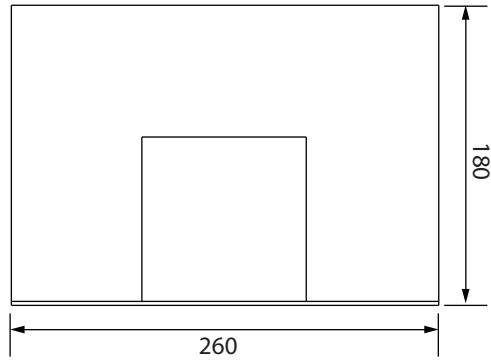
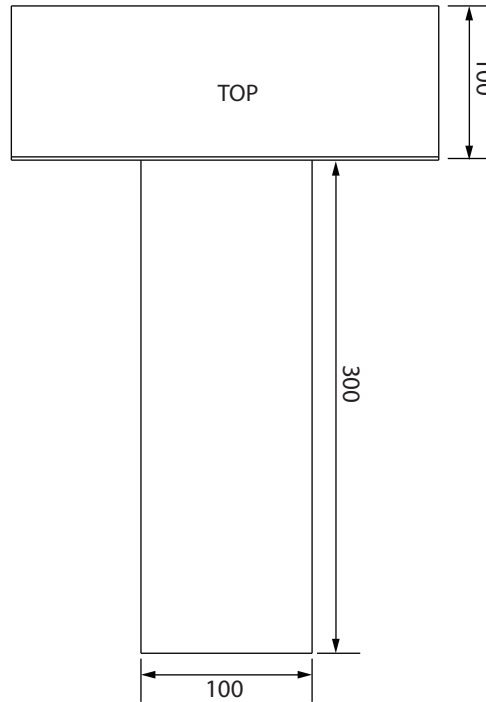


THIS DRAWING IS INDICATIVE ONLY AND BY NO MEANS COMPREHENSIVE

FRONT



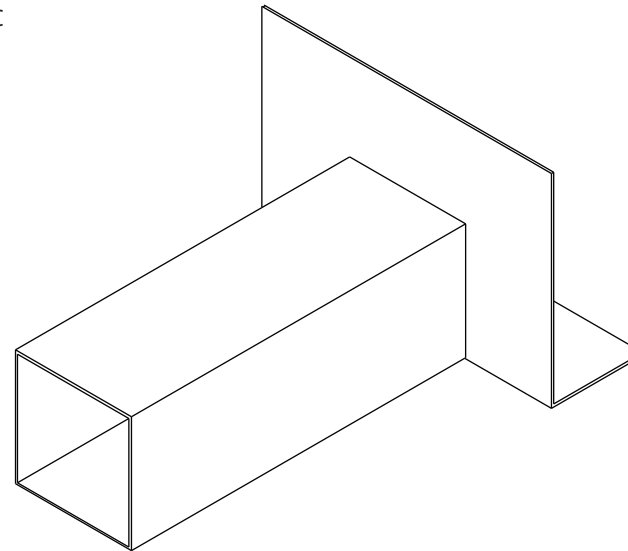
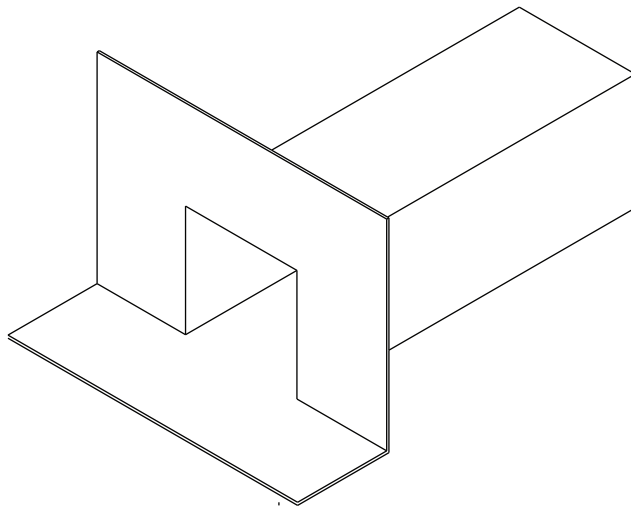
TOP



RIGHT



ISOMETRIC



PE100SLF
 - 100mm² ALUMINIUM SCUPPER
 300mm OUTLET with 5% fall

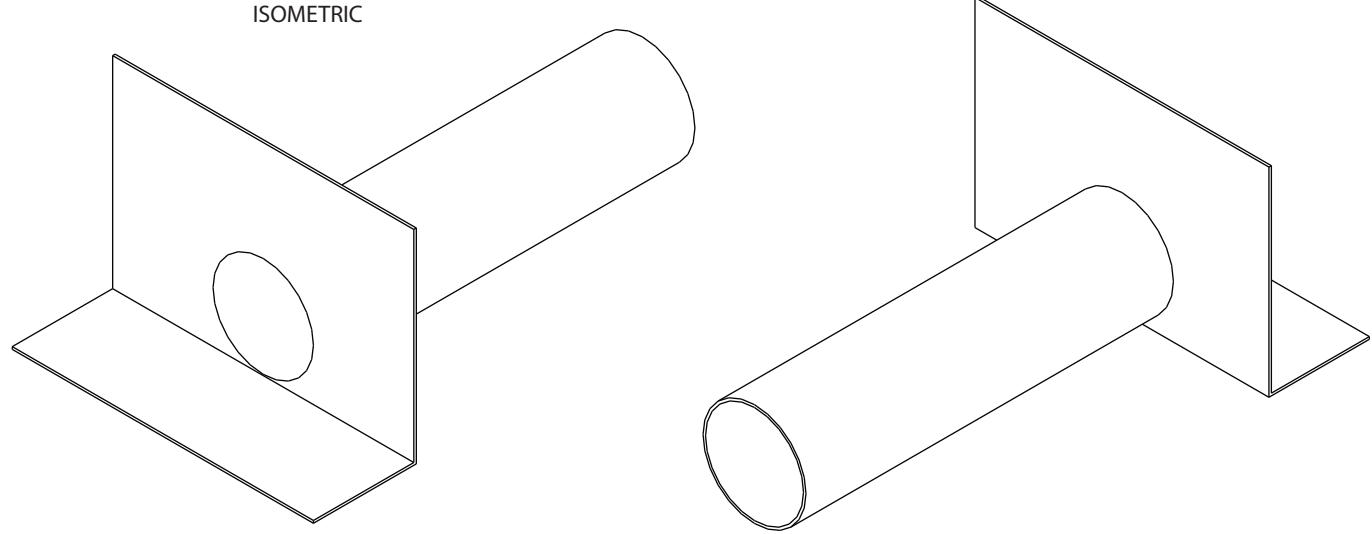
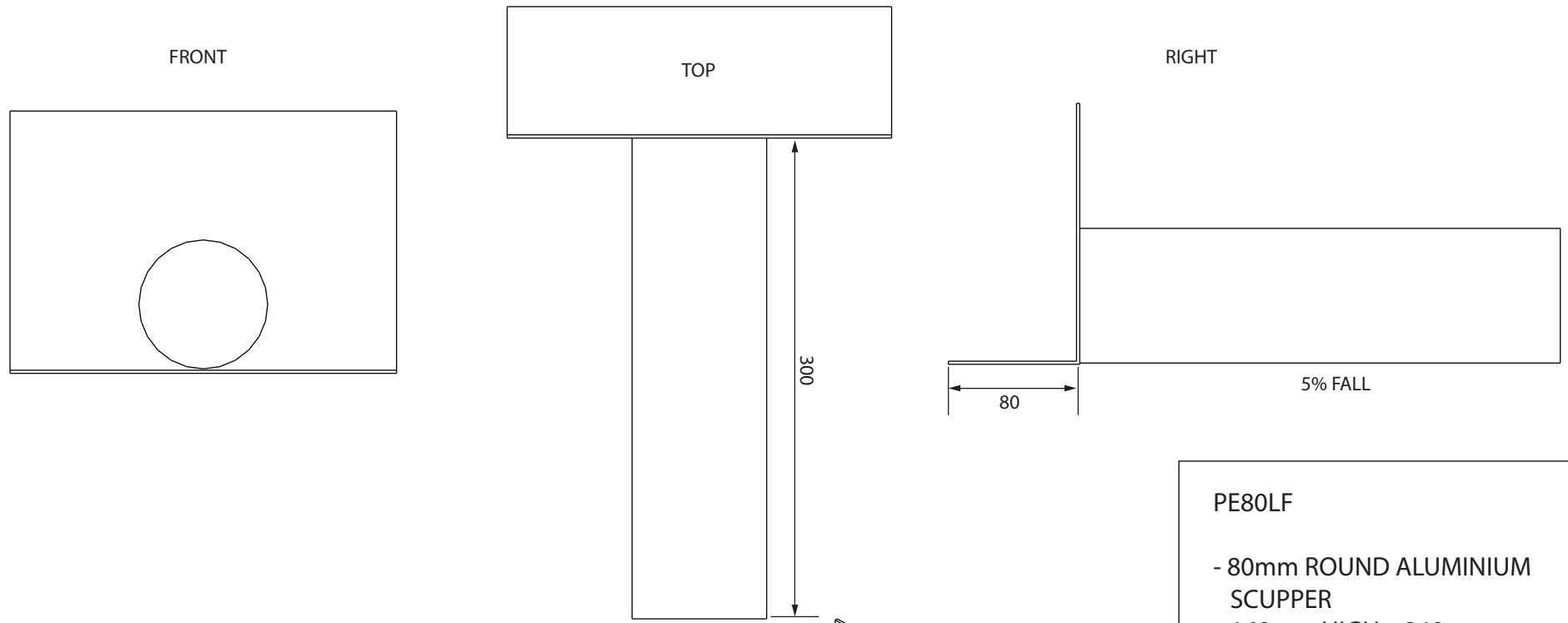


Nuralite Waterproofing Ltd.
 53A Victoria Street, Onehunga,
 Auckland 1061, New Zealand
 TEL: (64) (9) 579-2046
 FAX: (64) (9) 579-5136
 email: info@nuralite.co.nz
 web: www.nuralite.co.nz

All applications to be installed by an authorised nuralite applicator. All materials to be applied in accordance with standard published installation instruction and product data sheet should be consulted at all times. This drawing is for comment & approval it must not be used for construction until authorised by the site specifier or other relevant technical expert. This detail drawing is to be used only as a part of the nuralite specification package.
 All drawings are subject to copyright. Unauthorised use is prohibited
 © NURALITE WATERPROOFING Ltd.

PRODUCT:		100x100 ALUMINIUM SCUPPER	
DESCRIPTION:			
SCALE:	NTS	PREVIOUS DWG No:	New
REVISION:	Rev C	DATE:	JAN 14
			DWG No: OD1-5

THIS DRAWING IS INDICATIVE ONLY AND BY NO MEANS COMPREHENSIVE



- PE80LF**
- 80mm ROUND ALUMINIUM SCUPPER
 - 160mm HIGH x 240mm UPSTAND FLANGE
 - 300mm OUTLET with 5% fall
- PE100LF**
- 100mm ROUND ALUMINIUM SCUPPER
 - 180mm HIGH x 260mm UPSTAND FLANGE
 - 300mm OUTLET with 5% fall



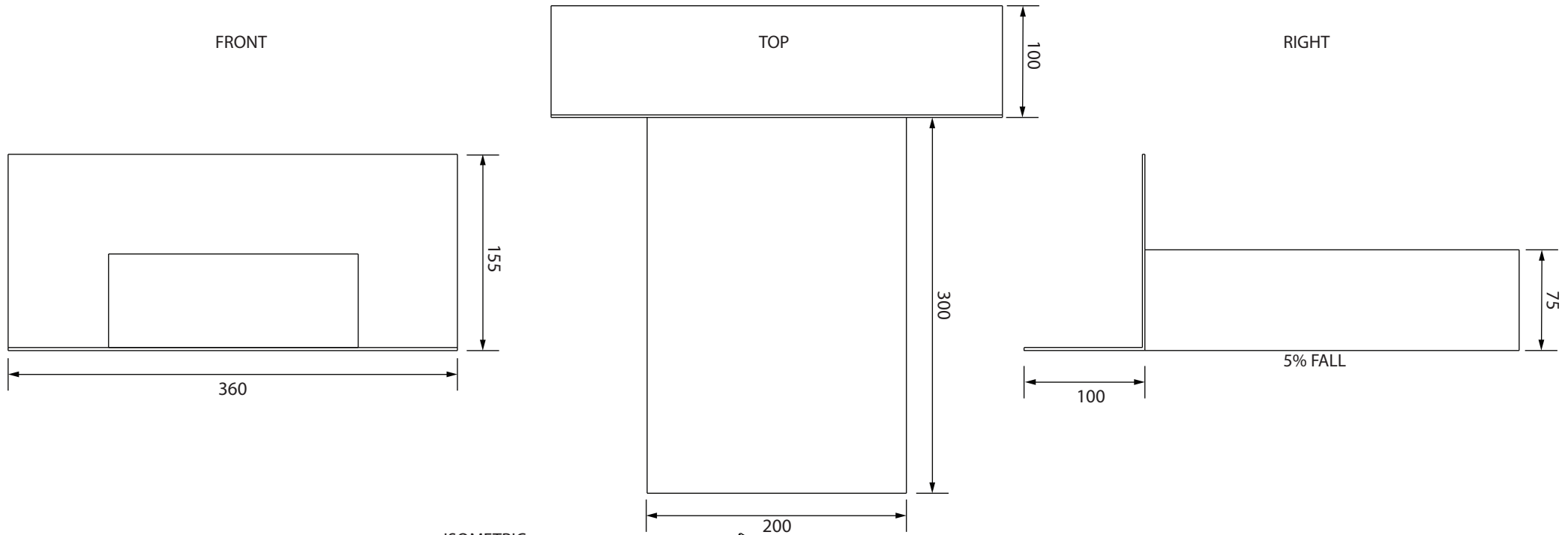
Nuralite Waterproofing Ltd.
 53A Victoria Street, Onehunga,
 Auckland 1061, New Zealand
 TEL: (64) (9) 579-2046
 FAX: (64) (9) 579-5136
 email: info@nuralite.co.nz
 web: www.nuralite.co.nz

All applications to be installed by an authorised nuralite applicator. All materials to be applied in accordance with standard published installation instruction and product data sheet should be consulted at all times. This drawing is for comment & approval it must not be used for construction until authorised by the site specifier or other relevant technical expert. This detail drawing is to be used only as a part of the nuralite specification package.

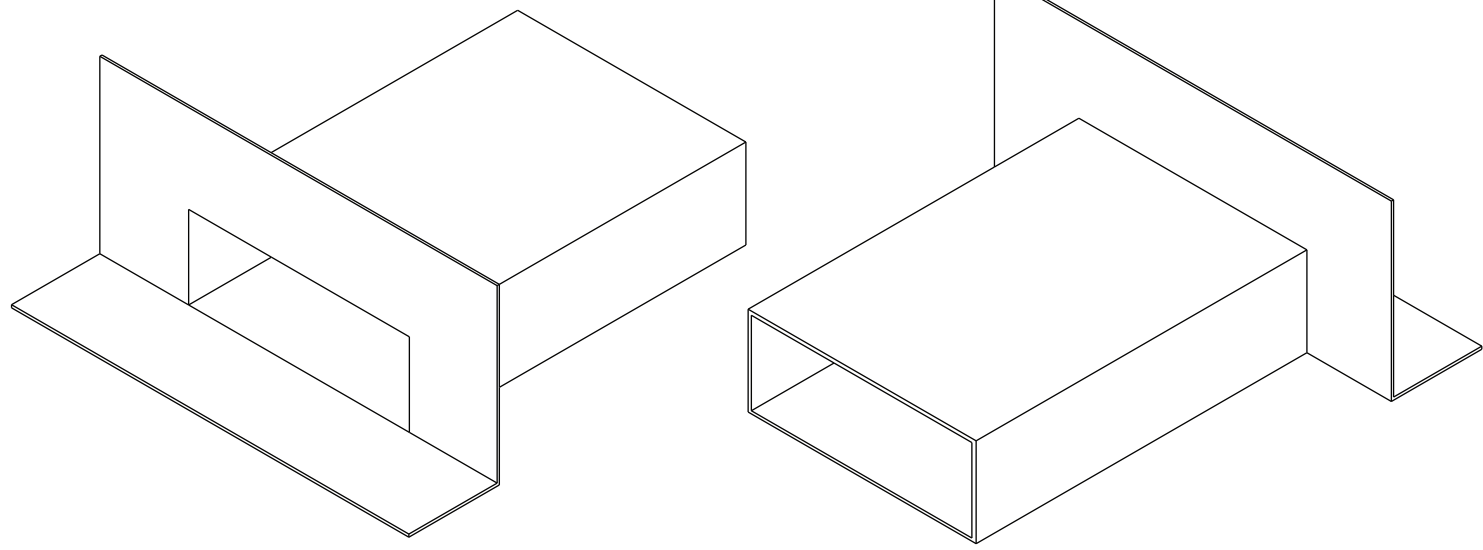
All drawings are subject to copyright. Unauthorised use is prohibited
 © NURALITE WATERPROOFING Ltd.

PRODUCT: VARIABLE ROUND ALUMINIUM SCUPPER			
DESCRIPTION:			
SCALE: NTS	PREVIOUS DWG No: New	DWG No: OD1-2	
REVISION: Rev C	DATE: JAN 14		

THIS DRAWING IS INDICATIVE ONLY AND BY NO MEANS COMPREHENSIVE



ISOMETRIC



PE75x200AL
 - 200mm x 75mm
 ALUMINIUM SCUPPER
 300mm OUTLET with 5% fall



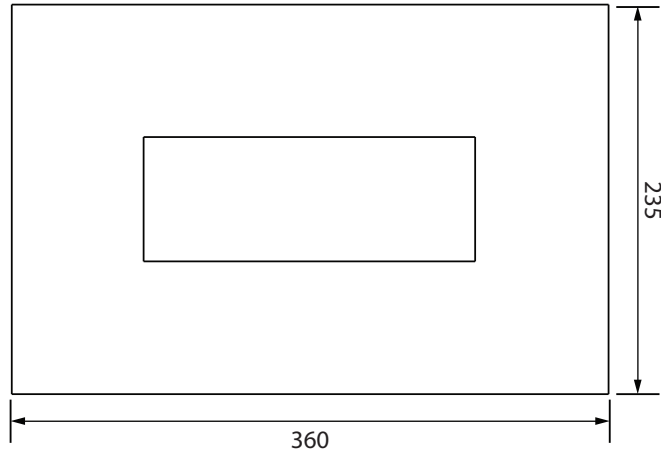
Nuralite Waterproofing Ltd.
 53A Victoria Street, Onehunga,
 Auckland 1061, New Zealand
 TEL: (64) (9) 579-2046
 FAX: (64) (9) 579-5136
 email: info@nuralite.co.nz
 web: www.nuralite.co.nz

All applications to be installed by an authorised nuralite applicator. All materials to be applied in accordance with standard published installation instruction and product data sheet should be consulted at all times. This drawing is for comment & approval it must not be used for construction until authorised by the site specifier or other relevant technical expert. This detail drawing is to be used only as a part of the nuralite specification package.
 All drawings are subject to copyright. Unauthorised use is prohibited
 © NURALITE WATERPROOFING Ltd.

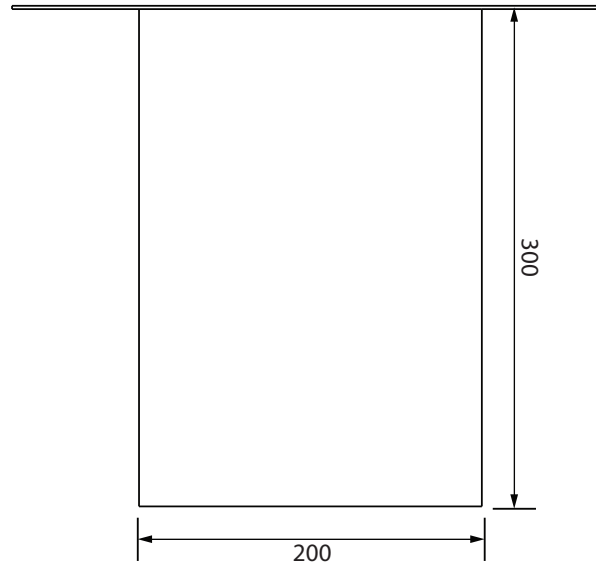
PRODUCT:		200x75 ALUMINIUM SCUPPER	
DESCRIPTION:			
SCALE:	NTS	PREVIOUS DWG No:	New
REVISION:	Rev C	DATE:	JAN 14
			DWG No: OD1-4

THIS DRAWING IS INDICATIVE ONLY AND BY NO MEANS COMPREHENSIVE

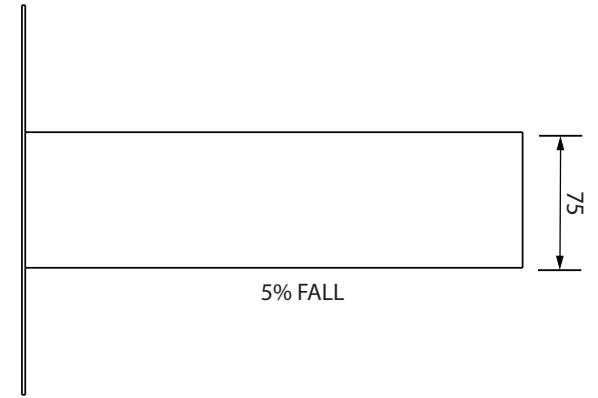
FRONT



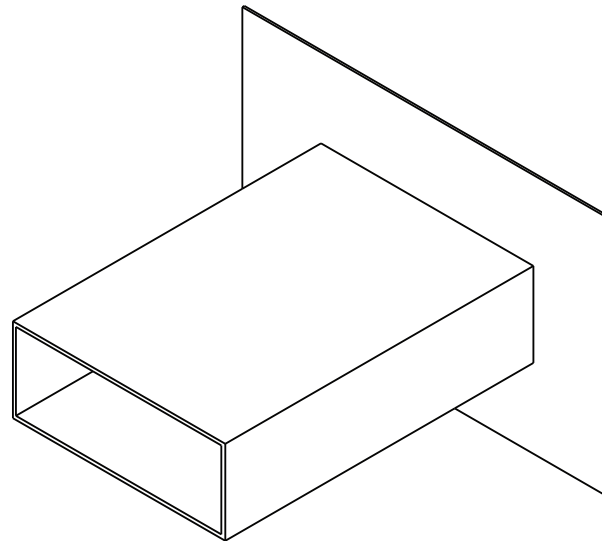
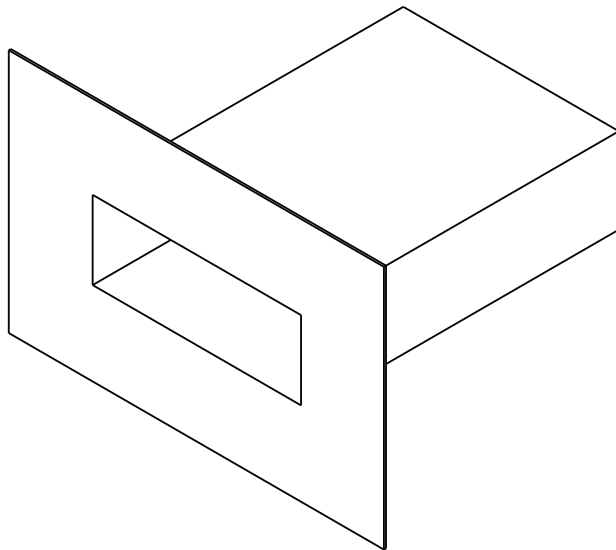
TOP



RIGHT



ISOMETRIC



PE75x200OF
 - 200mm x 75mm
 ALUMINIUM OVERFLOW
 300mm OUTLET with 5% fall



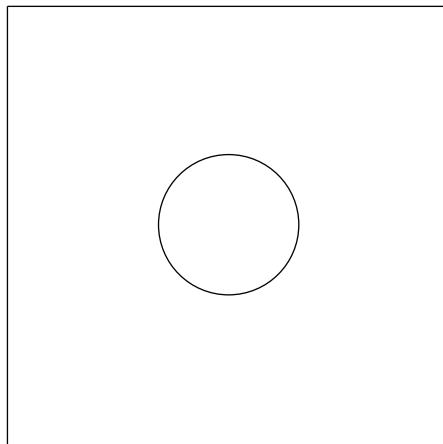
Nuralite Waterproofing Ltd.
 53A Victoria Street, Onehunga,
 Auckland 1061, New Zealand
 TEL: (64) (9) 579-2046
 FAX: (64) (9) 579-5136
 email: info@nuralite.co.nz
 web: www.nuralite.co.nz

All applications to be installed by an authorised nuralite applicator. All materials to be applied in accordance with standard published installation instruction and product data sheet should be consulted at all times. This drawing is for comment & approval it must not be used for construction until authorised by the site specifier or other relevant technical expert. This detail drawing is to be used only as a part of the nuralite specification package.
 All drawings are subject to copyright. Unauthorised use is prohibited
 © NURALITE WATERPROOFING Ltd.

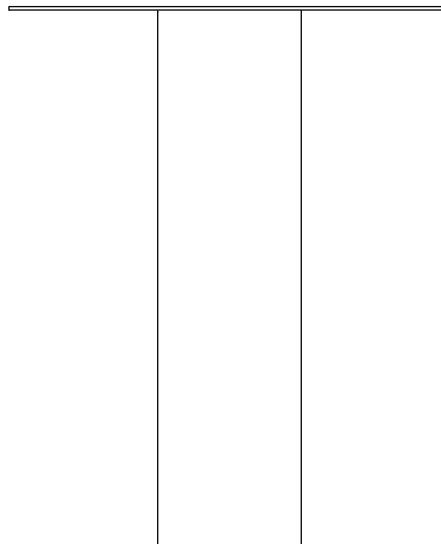
PRODUCT: 200x75 ALUMINIUM OVERFLOW			
DESCRIPTION:			
SCALE: NTS	PREVIOUS DWG No: New	DWG No: OD1-3	
REVISION: Rev C	DATE: JAN 14		

THIS DRAWING IS INDICATIVE ONLY AND BY NO MEANS COMPREHENSIVE

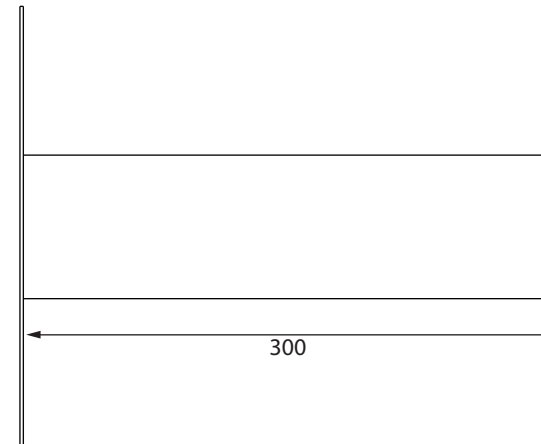
FRONT



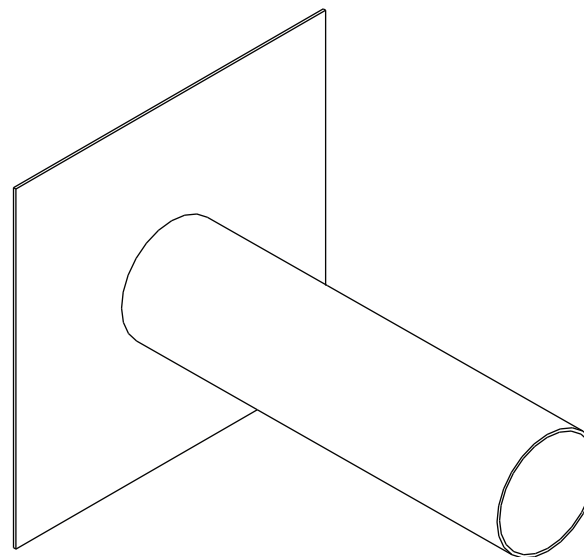
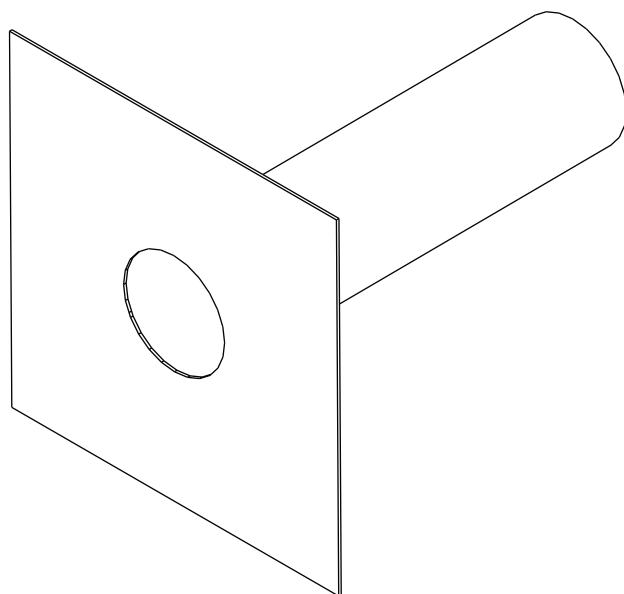
TOP



RIGHT



ISOMETRIC



PE80ALD

- 80mm ROUND ALUMINIUM
DROPPER
240 mm² FLAT FLANGE
300mm PIPE

PE100ALD

- 100mm ROUND ALUMINIUM
DROPPER
260 mm² FLAT FLANGE
300mm PIPE



Nuralite Waterproofing Ltd.

53A Victoria Street, Onehunga,
Auckland 1061, New Zealand
TEL: (64) (9) 579-2046
FAX: (64) (9) 579-5136
email: info@nuralite.co.nz
web: www.nuralite.co.nz

All applications to be installed by an authorised nuralite applicator. All materials to be applied in accordance with standard published installation instruction and product data sheet should be consulted at all times. This drawing is for comment & approval it must not be used for construction until authorised by the site specifier or other relevant technical expert. This detail drawing is to be used only as a part of the nuralite specification package.

All drawings are subject to copyright. Unauthorised use is prohibited
© NURALITE WATERPROOFING Ltd.

PRODUCT:

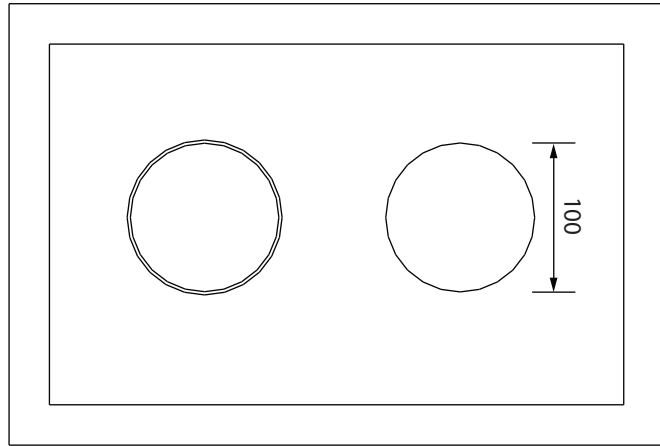
VARIABLE ROUND ALUMINIUM DROPPER

DESCRIPTION:

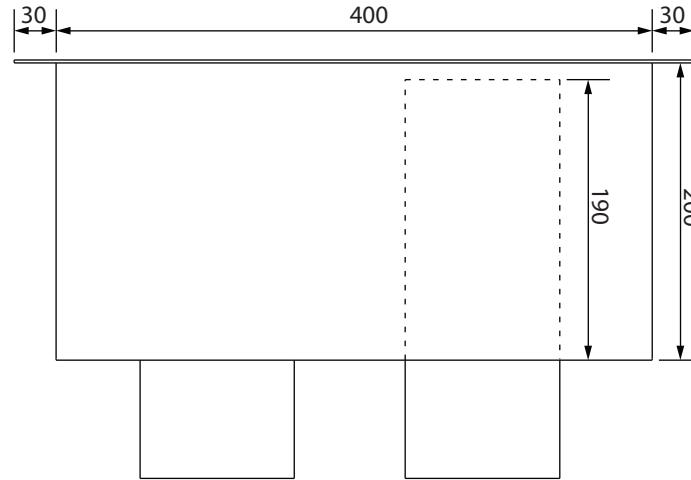
SCALE:	NTS	PREVIOUS DWG No:	New	DWG No:	OD1-1
REVISION:	Rev C	DATE:	JAN 14		

THIS DRAWING IS INDICATIVE ONLY AND BY NO MEANS COMPREHENSIVE

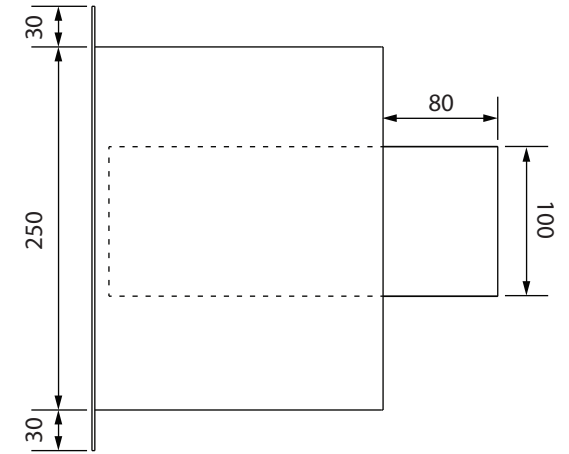
FRONT



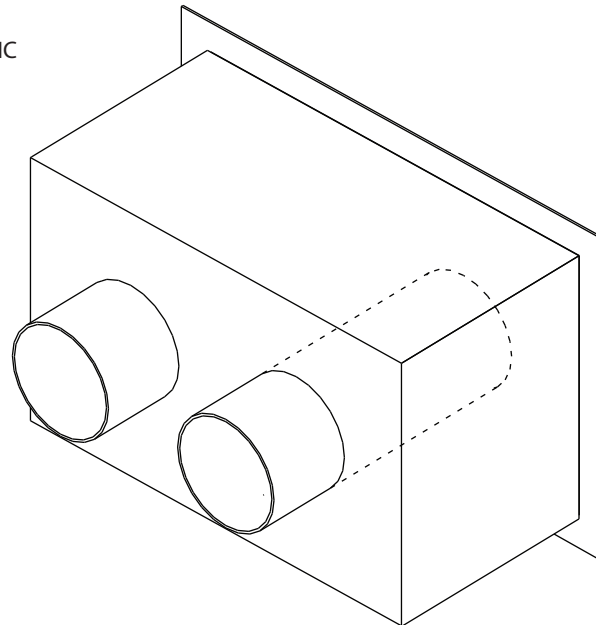
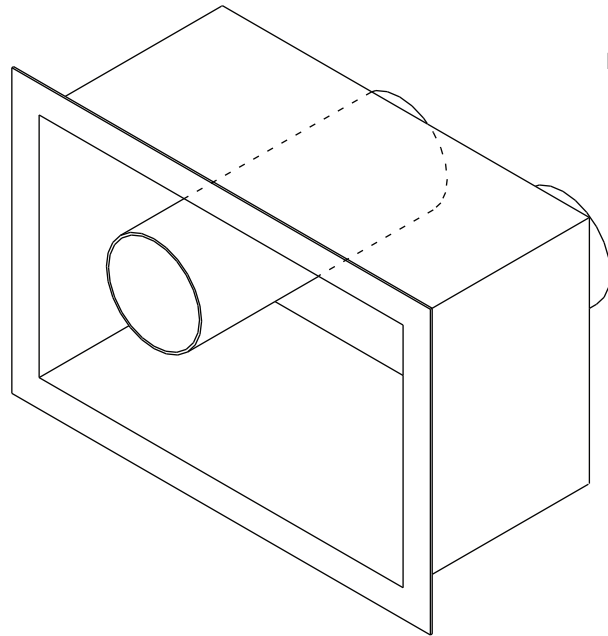
TOP



RIGHT



ISOMETRIC



PEALUSUMP100

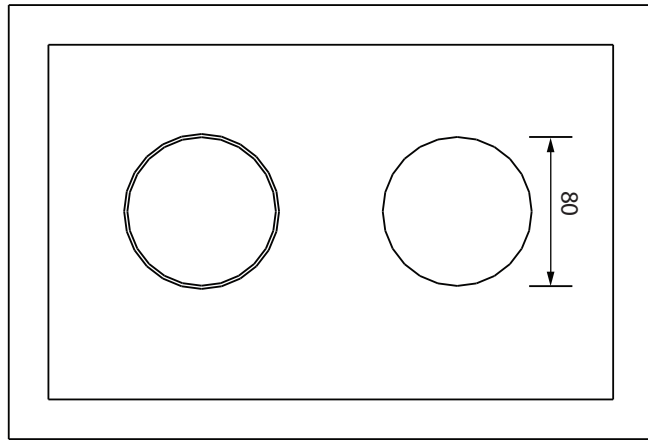
- 400.250.200mm

SUMP

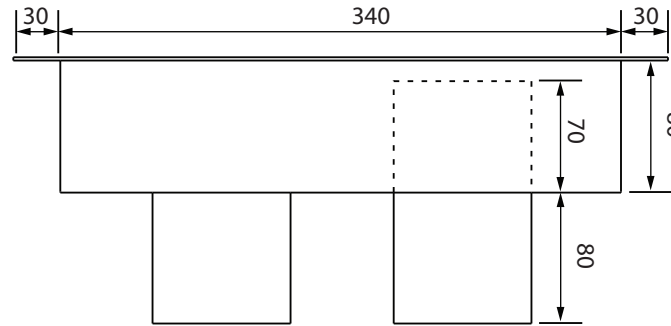
100mm ROUND OUTLET
& OVERFLOW

THIS DRAWING IS INDICATIVE ONLY AND BY NO MEANS COMPREHENSIVE

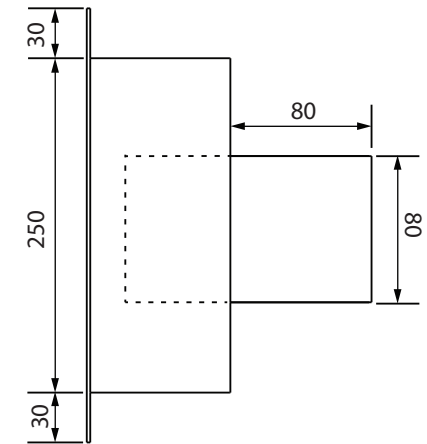
FRONT



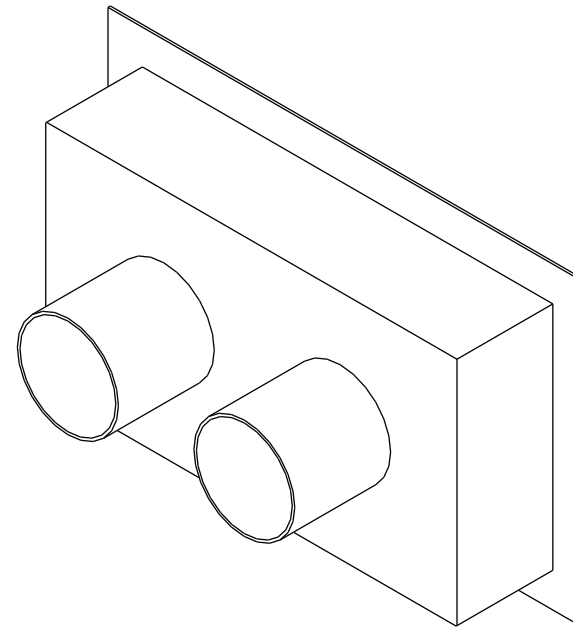
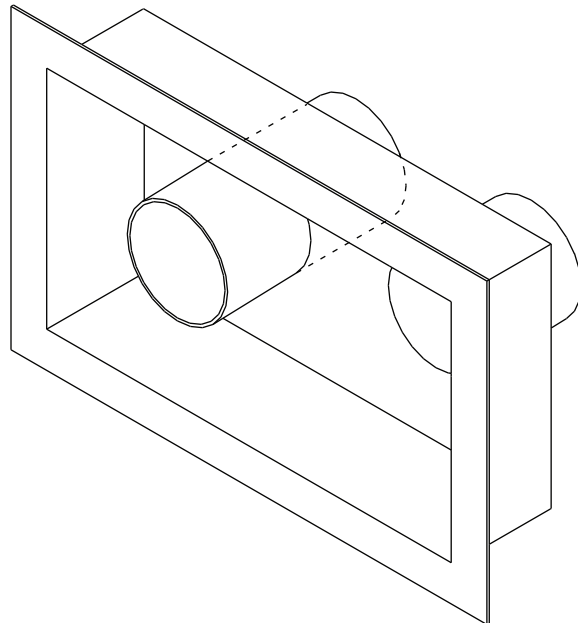
TOP



RIGHT



ISOMETRIC



PEALUSUMP80

- 340.250.80mm

SUMP

80mm ROUND OUTLET

& OVERFLOW