

RESIDENTIAL TRUE OAK® DEEP CORRUGATE WALL CLADDING JAMB FLASHING FOR HORIZONTAL CLADDING (RECESSED WINDOW/DOOR)

Detail No. RI-RTDW032B
Date drawn: 01/02/2020
Scale: 1 : 5 @ A4
Version: 01

BUILDING WRAP DRESSED INTO
OPENING WITH 50mm RETURN
TO INSIDE OF FRAME WITH
WINDOW FLASHING TAPE INSTALLED
OVER WRAP TO CORNERS

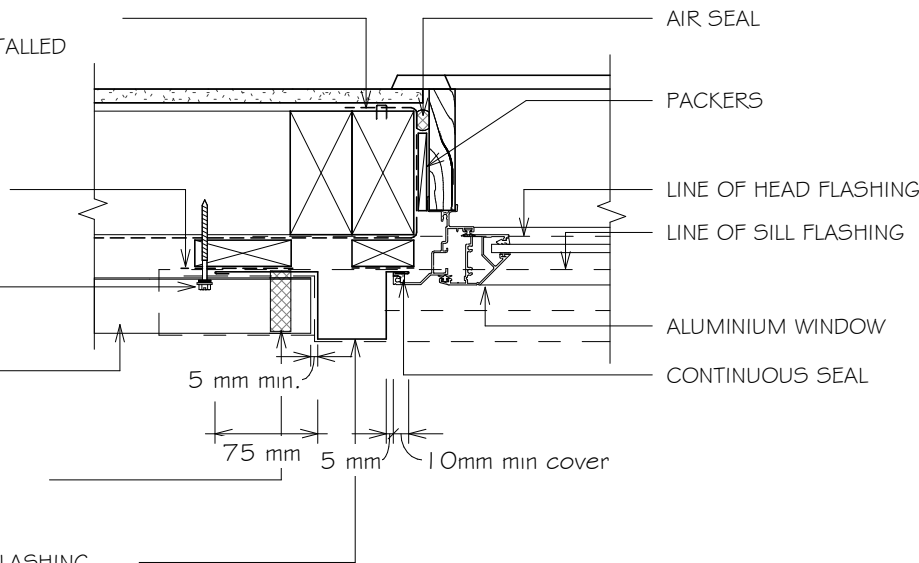
SEPARATION OF BATTEN
AND METAL CLADDING

SCREW FIXING

ROOFING INDUSTRIES
'TRUE OAK' DEEP
CORRUGATE

CONTINUOUS COMPRESSIBLE
FOAM SEAL

ROOFING INDUSTRIES JAMB FLASHING

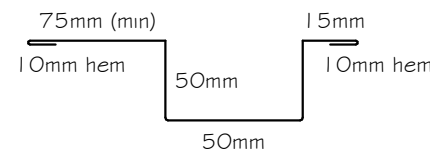


NOTES:

1. REFER TO E2/AS1 FOR GENERAL WINDOW OPENING FOR WRAPPING OF FRAMED OPENING PRIOR TO WINDOW INSTALLATION.
2. A MIN. OF 8mm EFFECTIVE COVER AT SILLS SHALL BE PERMITTED WHERE NECESSARY TO ALLOW FOR TOLERANCES.
3. WINDOW PROFILE TO BE SELECTED TO ACHIEVE COVER SHOWN IN DETAILS.
4. ARCHITRAVE'S ARE SHOWN FOR CONSISTENCY ONLY, DETAIL MAY BE USED WITH REBATED LINER.
5. WHERE SUPPORT BRACKETS ARE REQUIRED BY THE WINDOW MANUFACTURER TO CARRY THE FRAME AND GLAZING LOADS THEY MUST BE SUPPLIED AS AN INTEGRAL PART OF THE WINDOW MANUFACTURER'S RECOMMENDATIONS.
6. LIAISE WITH WINDOW MANUFACTURER PRIOR TO INSTALLATION.

NOTES:

- These details are generally in compliance with E2/AS1 and/or the NZ Metal Roof & Wall Cladding Code of Practice and in some cases specific details by 'Roofing Industries'.
- The building designer is ultimately responsible to ensure that details used meet the requirements of the NZ Building Code for the specific project.
- Details of the supporting structure including cavity battens are indicative only and are the responsibility of the building designer. For steel framed buildings thermal break cavity battens may be required.
- Underlay selection and building wrap types are the responsibility of the designer. When rigid wall underlay is required it is the designers responsibility to ensure the correct type is used and follow the manufacturers recommendation for installation.
- These details are for Roofing Industries profile/s as nominated and may not be applicable to other profiles.
- This drawing is the copyright of 'Roofing Industries' and can only be copied or reproduced with their permission.
- Further information can be obtained from the NZ Metal Roof & Wall Cladding Code of Practice: www.metalroofing.org.nz or E2/AS1.



REFERENCE FLASHINGS:
NZ METAL ROOF AND WALL CLADDING
CODE OF PRACTICE AND E2/AS1.
DIMENSIONS ARE INDICATIVE ONLY.

Copyright detail © 2020

