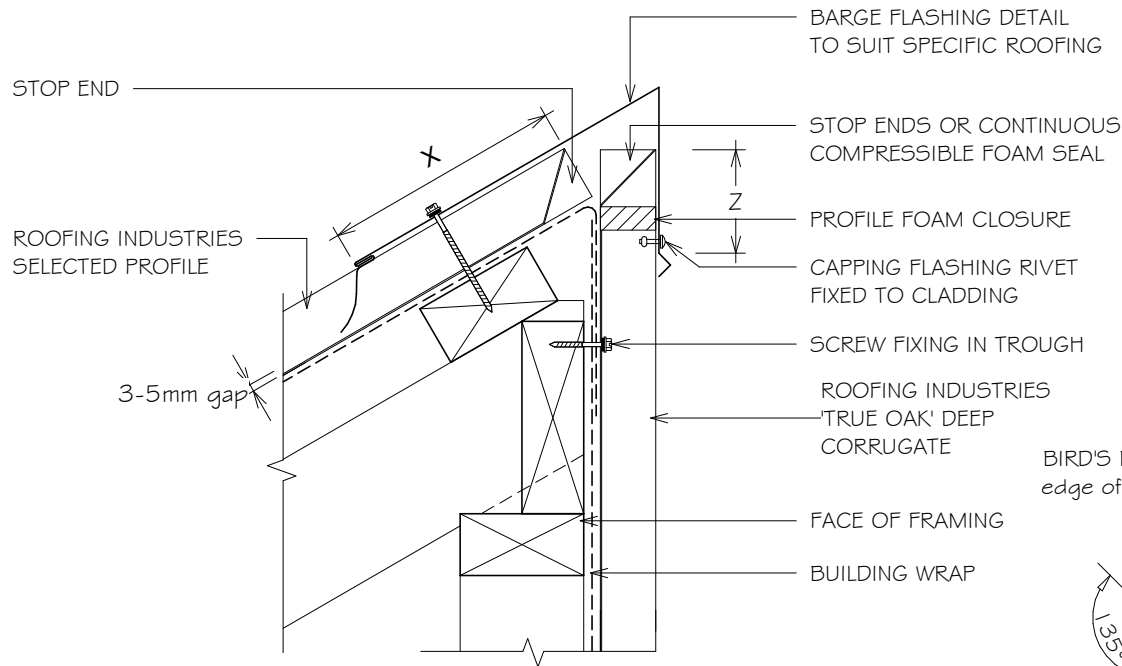


RESIDENTIAL TRUE OAK® DEEP CORRUGATE WALL CLADDING HEAD BARGE FOR VERTICAL CLADDING (BIRDS BEAK)

Detail No. RI-RTDW002B
Date drawn: 01/02/2020
Scale: 1 : 5@ A4
Version: 01

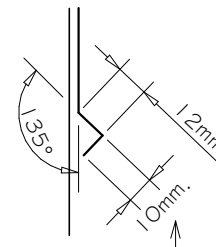


SITE WIND ZONE (As per NZS3604)	MINIMUM	
	Z	X ⁽⁴⁾
SITUATION 1 ⁽¹⁾	75mm ⁽³⁾	150mm
SITUATION 2 ⁽²⁾	100mm ⁽³⁾	200mm

NOTES:

- SITUATION 1: IN LOW, MEDIUM OR HIGH WIND ZONES, WHERE ROOF PITCH IS 10° OR GREATER
- SITUATION 2: FOR ALL ROOF PITCHES IN VERY HIGH & EXTRA HIGH WIND ZONES, FOR ALL WIND ZONES WHERE ROOF PITCH IS LESS THAN 10°.
- BARGE COVER EXCLUDES DRIP EDGE.
- EXCLUDING ANY SOFT EDGE OR TURN-DOWN TO ROOFING.

BIRD'S BEAK at bottom edge of vertical flashing



Bird's beak dimension may vary between manufacturing locations.

NOTES:

- These details are generally in compliance with E2/AS1 and/or the NZ Metal Roof & Wall Cladding Code of Practice and in some cases specific details by 'Roofing Industries'.
- The building designer is ultimately responsible to ensure that details used meet the requirements of the NZ Building Code for the specific project.
- Details of the supporting structure including cavity battens are indicative only and are the responsibility of the building designer. For steel framed buildings thermal break cavity battens may be required.
- Underlay selection and building wrap types are the responsibility of the designer. When rigid wall underlay is required it is the designers responsibility to ensure the correct type is used and follow the manufacturers recommendation for installation.
- These details are for Roofing Industries profile/s as nominated and may not be applicable to other profiles.
- This drawing is the copyright of 'Roofing Industries' and can only be copied or reproduced with their permission.
- Further information can be obtained from the NZ Metal Roof & Wall Cladding Code of Practice: www.metalroofing.org.nz or E2/AS1.

Copyright detail © 2020

