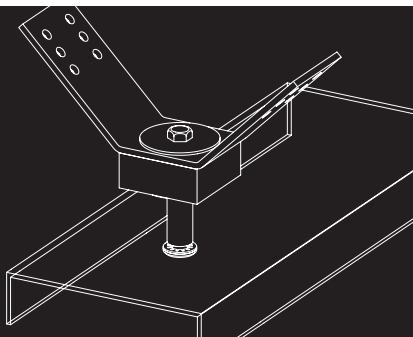


TRACKLOK™

INSTALLATION SHEET/ TRACKLOK SPT-10



- 1/ Set out head track (clamp or screw temporarily).
- 2/ Measure TRACKLOK™ SPT-10 placements (refer to TRACKLOK™ specification sheet).
- 3/ Create 30-40mm hole in tile with holesaw (pilot bit must spike head section).
- 4/ Enlarge pilot hole in head track to 9mm
- 5/ Bolt TRACKLOK™ SPT-10 to head track using washer and bolt provided.
- 6/ Measure distance to slab and cut your brace material to length as per chart provided.
- 7/ Connect bracing material to TRACKLOK™ SPT-10 fly brace and top plates.
- 8/ Fix TRACKLOK™ SPT-10 top plates to slab with approved masonry anchor.
- 9/ Remove temporary fixings.

For further installation and limitation information please refer to TRACKLOK™ SPT-10 Specification Sheet available on website.

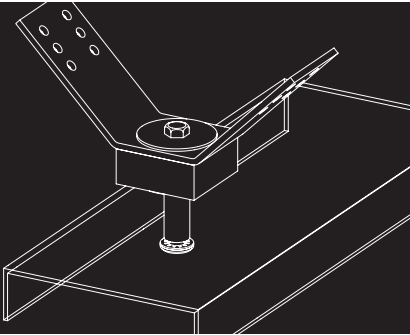


SHORE
SOLUTIONS
LTD



TRACKLOK™

INSTALLATION SHEET/ TRACKLOK SPT-10



DISTANCE TO SLAB/

EACH BRACING LENGTH/

200mm.....	183mm
300mm.....	325mm
400mm.....	466mm
500mm.....	605mm
600mm.....	750mm
700mm.....	890mm
800mm.....	1035mm
900mm.....	1175mm
1000mm.....	1315mm
1100mm.....	1455mm
1200mm.....	1595mm
1300mm.....	1735mm



SHORE
SOLUTIONS
LTD

