

CONTROL OF CONDENSATION | MAY 2020

VENT OVER FASCIA VENTILATOR

G2500N

DESCRIPTION

The G2500N Over Fascia Vent is designed to discreetly ensure a positive airflow into the roof space between the roof membrane and the fascia board.

FEATURES

- Free airflow of 25,000mm² per linear metre.
- Releases hot air from roof voids and eliminates condensation.
- Forms part of a passive ventilation system that works year round with no moving parts or energy consumption.
- Easy to install.
- Not visible when covered with ridge flashing (NB: flashing not included).
- Insect proof - 4mm vents prevent ingress of nesting insects.

SCOPE OF USE

- Suitable for roof pitches <15° and all skillion roofs.
- Compatible with timber or metal fascia.
- Suitable for new builds or renovations.
- Should be used in conjunction with the VENT Roll Panel Vent/Eaves Baffle Vent (G502) to ensure continuous and unimpeded airflow past the insulation.
- To be used as part of proprietary ventilation system.

WARRANTY

- 15 Years

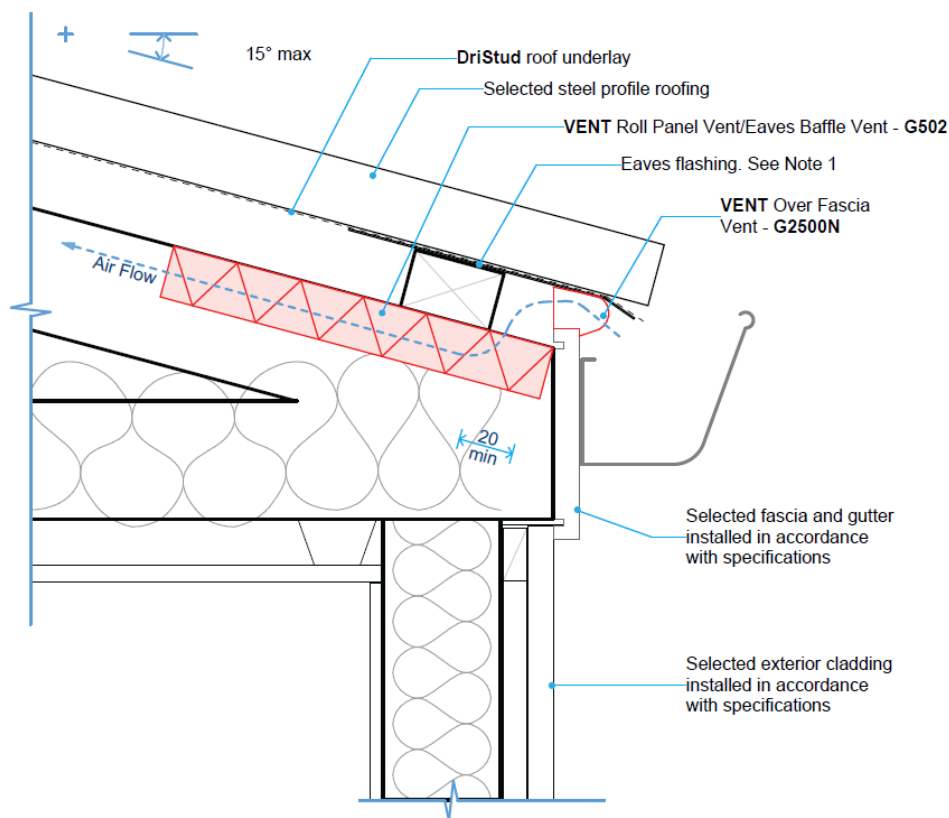
MAINTENANCE

- No maintenance requirements.

INSTALLATION

1. The G2500N Over Fascia Ventilator should be nailed or screwed to the top of the fascia board through the fixing holes provided along the full length of the eaves as shown.
2. For technical assistance contact the DriSpace technical team.

Fig A: Trussed Roof Application - No Eaves



VENT OVER FASCIA VENTILATOR

G2500N

Fig B: Product Dimensions

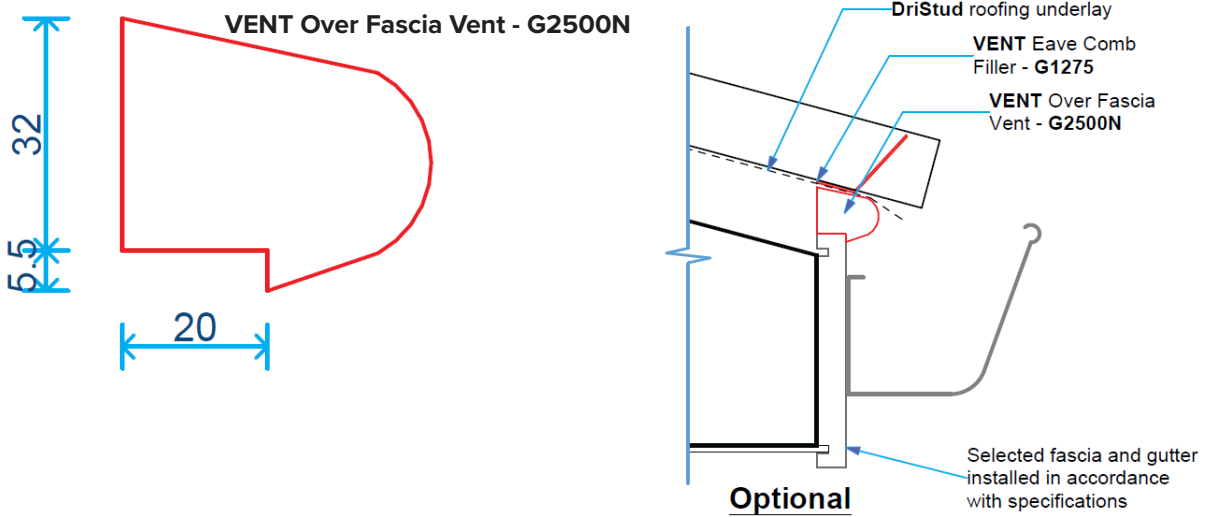
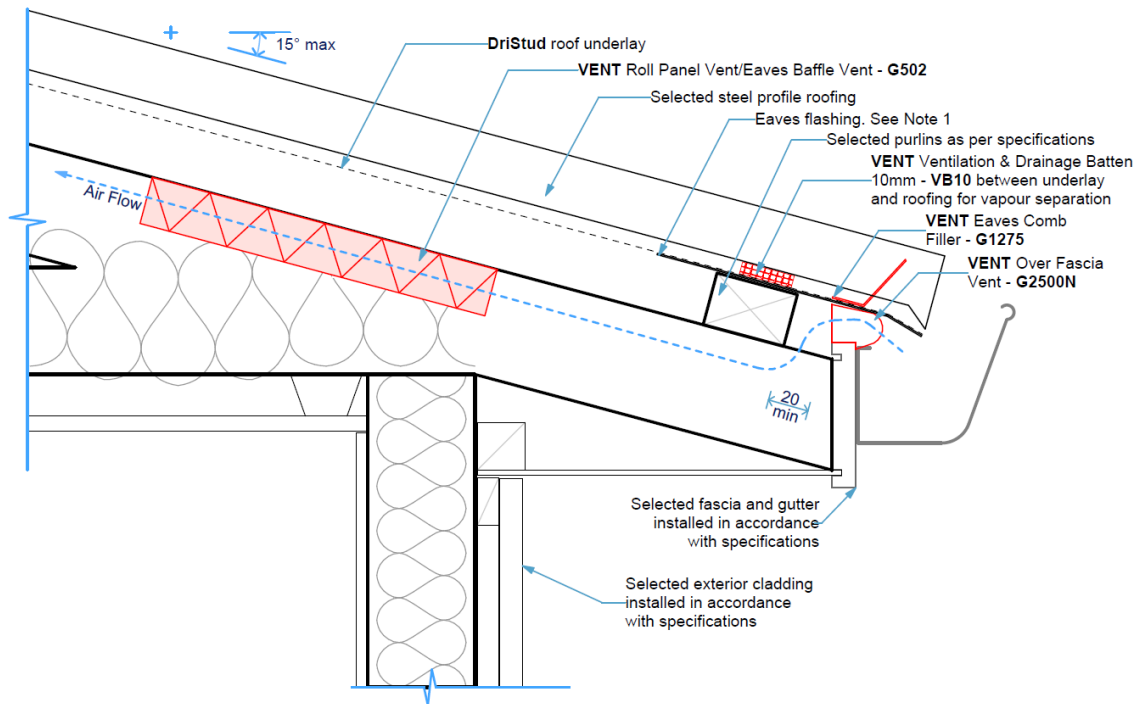


Fig C: Trussed Roof Application - With Eaves

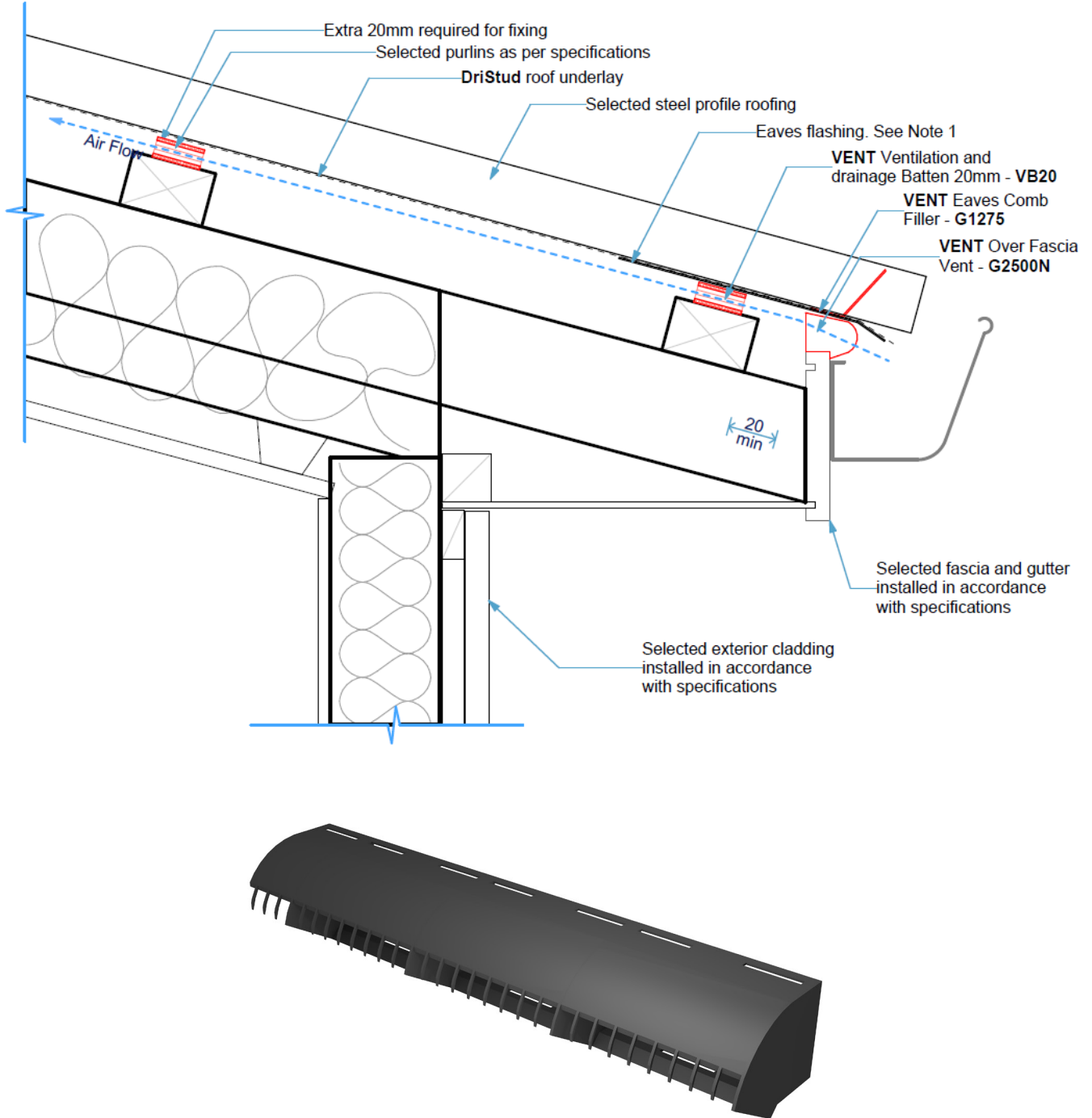


Note: Diagrams are for guidance purposes only. The overall design is the responsibility of the designer as there are often other factors to consider. The company maintains a policy of continuous development of its product range and reserves the right to amend the specification without notice.

VENT OVER FASCIA VENTILATOR

G2500N

Fig D: Skillion Roof Application - Any degree pitch



Note: Diagrams are for guidance purposes only. The overall design is the responsibility of the designer as there are often other factors to consider. The company maintains a policy of continuous development of its product range and reserves the right to amend the specification without notice.

VENT OVER FASCIA VENTILATOR G2500N

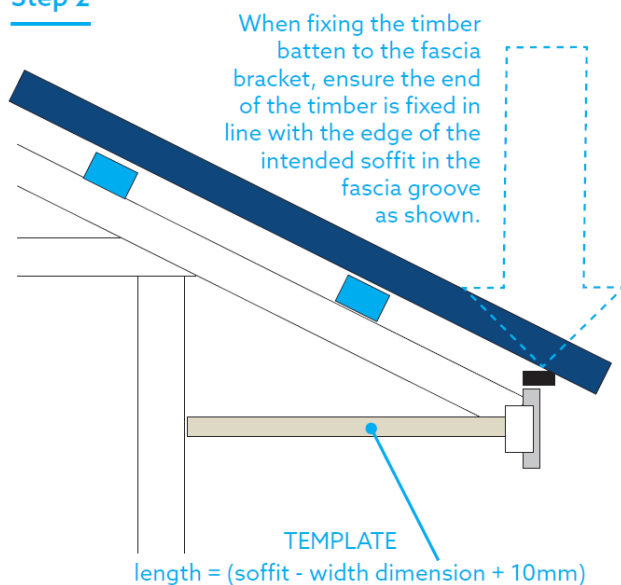
FOR BUILDERS & ROOFERS

Step 1 - Construct a Template

1. Cut a short section of fascia and attach a similar length of the proposed G2500N Over Fascia Vent over the top.
2. Attach proposed fixing plate to fascia.
3. Fix a length of timber batten (the width of the proposed soffit board + 10mm) to the fixing plate.

Step 2 - Temporarily fix 2 roof purlins (light blue) over the trussed and lay a straight edge (dark blue) over the top to establish the finished fascia/vent height.

Step 2



The template example shown is for a 600mm wide soffit board. Consequently the timber batten is cut at 610mm and fixed to the fascia fixing plate as illustrated.

The template is then butted to the external wall frame, lifted horizontally up to the underside of the straight edge and the fixing plate can then be marked onto the truss end as shown in step 2.

Your fascia height is now set.

Note: For skillion roofs with a VB20 Ventilated batten fixed over the purlin, the fascia height will be raised by 20mm.

FOR ARCHITECTS

15+° cold roof or any skillion warm roof

Fascia height to drop by 32mm to allow for G2500N VENT Over Fascia Vent.



Over Fascia Ventilator G2500N

