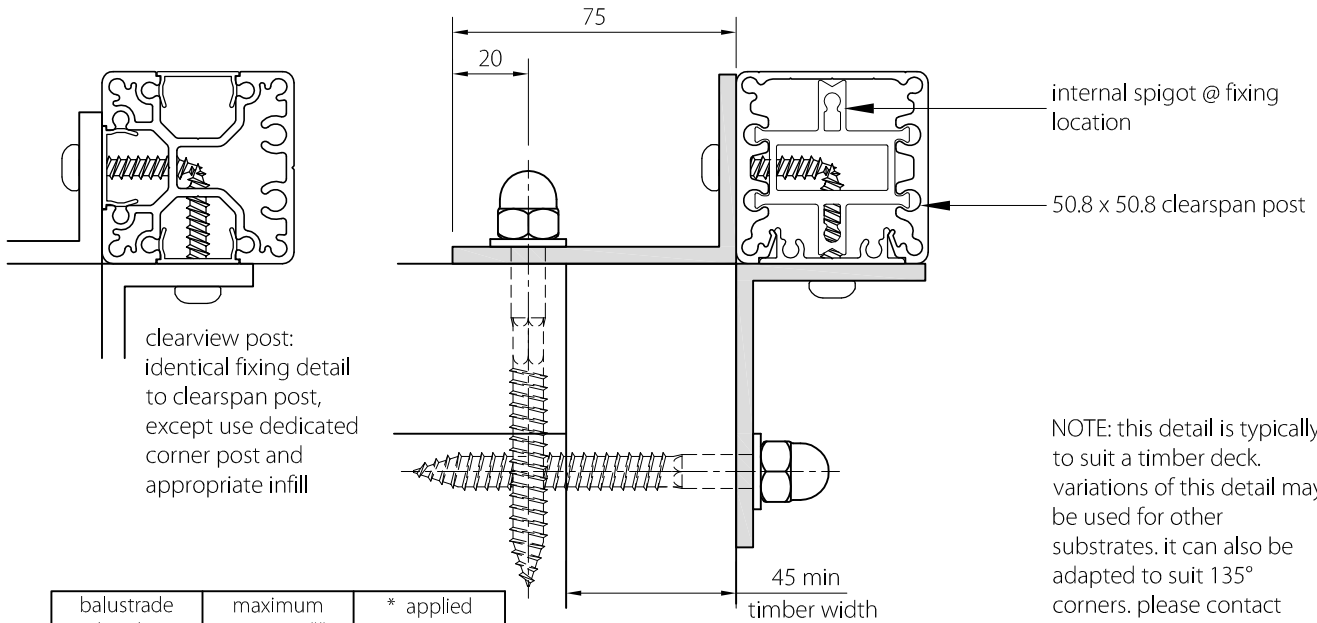


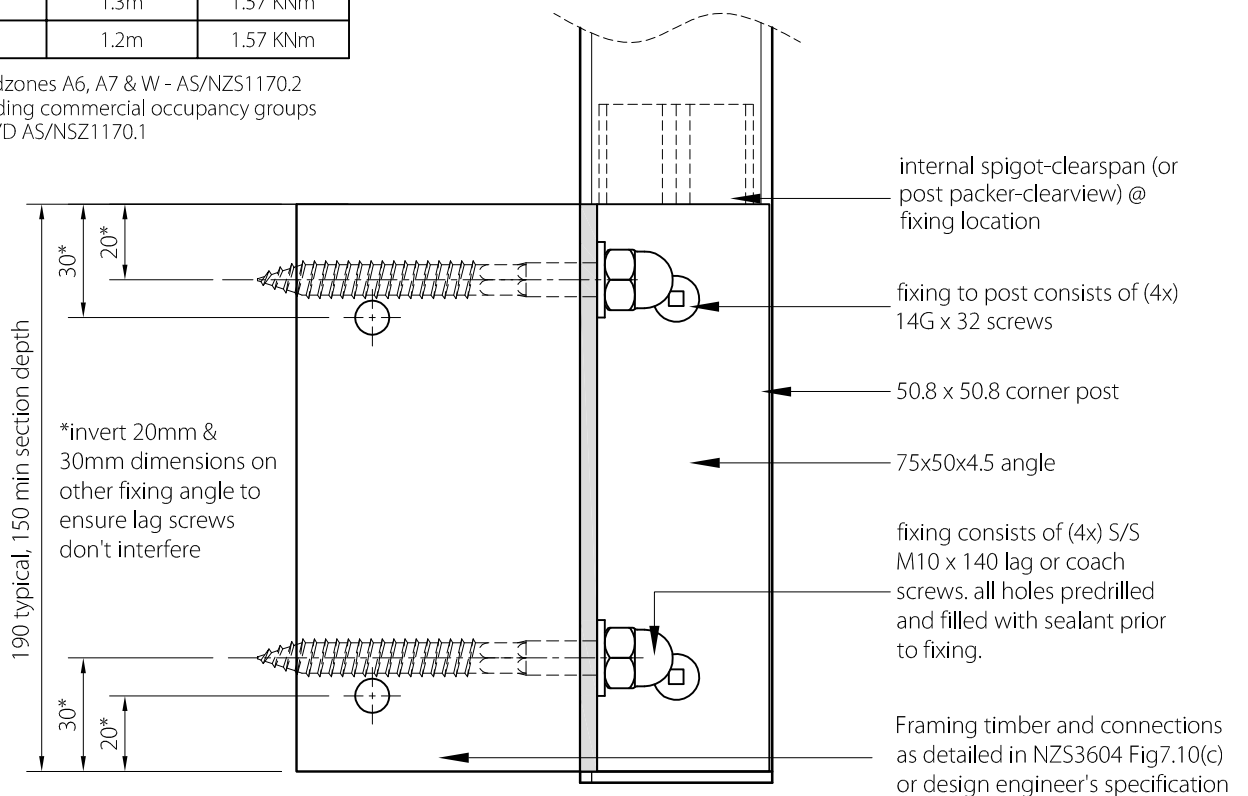
CLEARSPAN / CLEARVIEW FACE FIXED TO TIMBER 90° CORNER



NOTE: this detail is typically to suit a timber deck. variations of this detail may be used for other substrates. it can also be adapted to suit 135° corners. please contact Spectrum for further assistance

balustrade height	maximum post ctrs **	* applied moment (ULS)
1.0m	1.4m	1.57 KNm
1.1m	1.3m	1.57 KNm
1.2m	1.2m	1.57 KNm

** for windzones A6, A7 & W - AS/NZS1170.2 and excluding commercial occupancy groups C1/C2/C5/D AS/NSZ1170.1



- This is a balustrade connection detail. Deck design and construction to support the applied moment at post connections and water-proofing is the responsibility of others.
- For all other applications or non-standard or site specific connections not covered under the standard detail manual please contact Spectrum.

For Producer Statements or further information please log on to spectrum.co.nz, email or call Spectrum