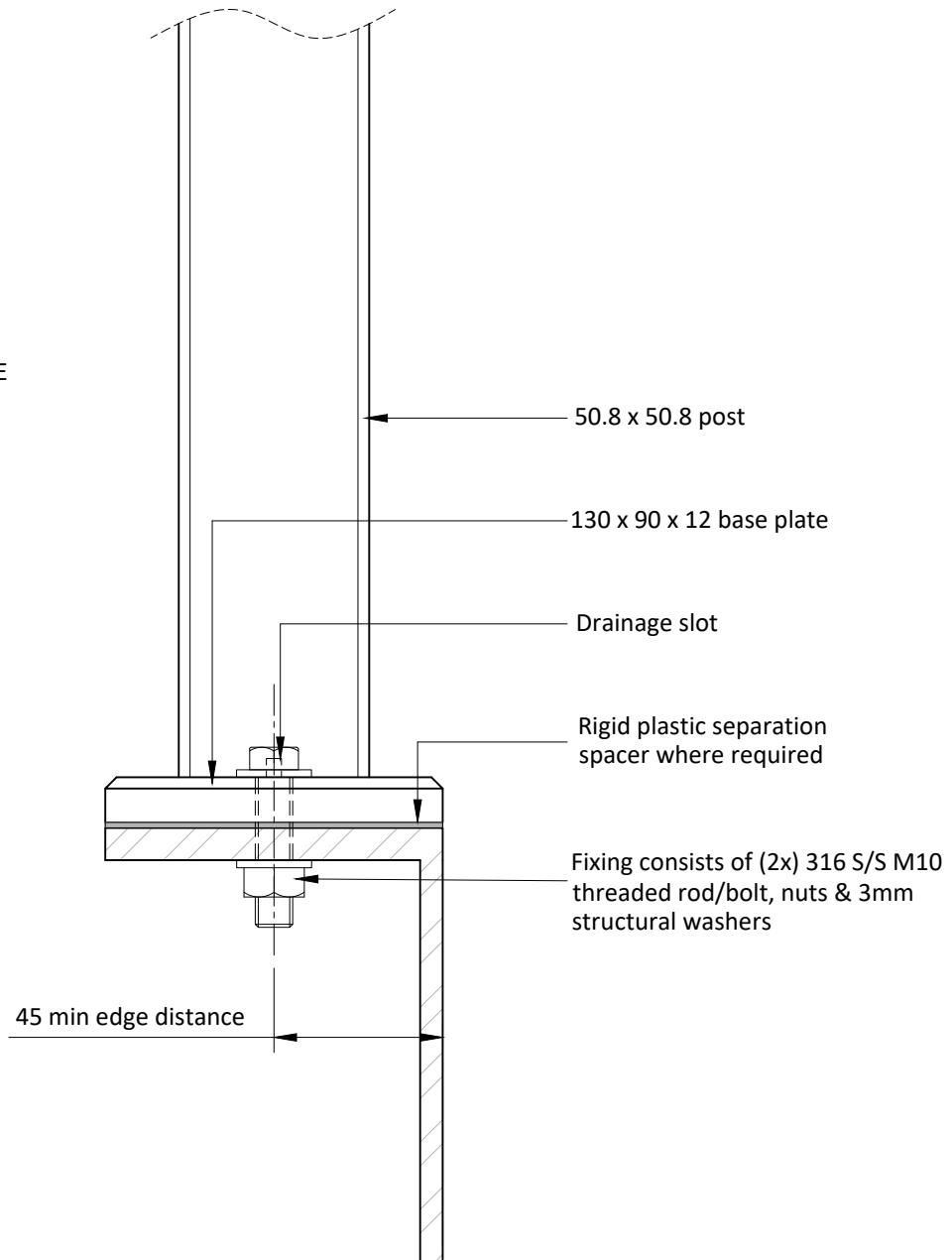
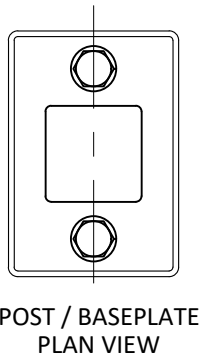
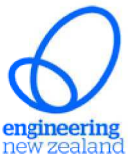


CLEARSPAN or CLEARVIEW TOP FIXED TO NARROW 90mm STEEL



		Leverage height max (distance from top of handrail to bottom of baseplate)								
		0.95m	1.00m	1.05m	1.10m	1.15m	1.20m	1.25m	1.30m	1.35m
Glass or Solid infill (Vista, Classic, Clearview)	Up to very high wind zone (50m/s)	1.39m	1.32m	1.26m	1.20m	1.15m	1.10m	1.05m	0.95m	0.85m
	Extra high wind zone (55m/s)	1.39m	1.32m	1.24m	1.13m	1.03m	0.95m	0.87m	0.78m	0.68m
35% max closed area (Settler, Heritage, Face hung fin)	All wind zones (up to 55m/s)	1.39m	1.32m	1.26m	1.20m	1.15m	1.10m	1.05m	0.95m	0.85m

- Applicable to occupancy types A, B, C3 & E.
- This fixing detail PS1 should be used in conjunction with the appropriate system PS1.
- This is a balustrade connection detail. Deck design, construction and water-proofing is the responsibility of others. For all other applications or non-standard or site specific connections not covered under the standard detail manual please contact Spectrum.



association of
consulting and
engineering

Building Code Clause(s) B1

PRODUCER STATEMENT – PS1 – DESIGN

ISSUE:A

(Guidance on use of Producer Statements is available at www.engineeringnz.org)

ISSUED BY: **Kirk Roberts Consulting Engineers Ltd.** PROJECT NO: 2150118
(Design Firm)
TO: **Spectrum**
(Owner/Developer)
TO BE SUPPLIED TO: **Territorial Local Authority**
(Building Consent Authority)

IN RESPECT OF: **Spectrum – Clearspan or Clearview top fixed to narrow 90mm steel (Drawing countersigned by myself and Kirk Roberts, dated 10/11/21)**

(Description of Building Work)

AT: **Nationwide** LOT DP SO
(Address)

We have been engaged by the owner/developer referred to above to provide **Structural Engineering Design** services in respect of the requirements of Clause(s) **B1/VM1** of the Building Code for All or Part only (as specified in the attachment to this statement), of the proposed building work.

The design carried out by us has been prepared in accordance with:

- Compliance Documents issued by the Ministry of Business, Innovation & Employment **B1/VM1** or (verification method / acceptable solution)
- Alternative solution as per the attached schedule.....

The proposed building work covered by this producer statement is described on **Spectrum** drawings titled **“CLEARSPAN or CLEARVIEW TOP FIXED TO NARROW 90mm STEEL”**, and numbered, **BL.3.1.12 – Rev A – 5.11.21**, together with the specification, and other documents set out in the schedule attached to this statement.

On behalf of the Design Firm, and subject to:

- i) All proprietary products shall meet their performance specification requirements;
- ii) Structural design loads are based on a 50-year design life and Importance Level 2 structure (normal structures and structures not in other importance levels) as defined in AS/NZS 1170.0 2004 clause 3.3;
- iii) The PS1 is for the balustrade system listed above only. The design of the supporting structure for the loads imposed from the balustrade system (including torsional loads) is the responsibility of others;
- iv) This certificate does not cover weather-tightness;
- v) This Producer Statement - Design is valid for a building consent issued within 2 year from the date of issue;
- vi) Inspections of the structural elements shall be undertaken by the Building Consent Authority (council). As Kirk Roberts Consulting Engineers are not undertaking inspections, we cannot issue a Producer Statement for Construction Review – PS4.

I believe on reasonable grounds that a) the building, if constructed in accordance with the drawings, specifications, and other documents provided or listed in the attached schedule, will comply with the relevant provisions of the Building Code and that b), the persons who have undertaken the design have the necessary competency to do so.

I, **Max Warwick Fowler** am: CPEng **1008603 #**
(Name of Design Professional)

I am a Member of: Engineering New Zealand NZIA and hold the following qualifications: **B.E.(Hons), CMEngNZ, CPEng**
The Design Firm issuing this statement holds a current policy of Professional Indemnity Insurance no less than \$200,000*.
The Design Firm is a member of ACENZ:

SIGNED BY **Max Warwick Fowler** ON BEHALF OF **Kirk Roberts Consulting Engineers Ltd.**
(Design Firm)

Date: 11/11/2021 (signature).....

Note: This statement shall only be relied upon by the Building Consent Authority named above. Liability under this statement accrues to the Design Firm only. The total maximum amount of damages payable arising from this statement and all other statements provided to the Building Consent Authority in relation to this building work, whether in contract, tort or otherwise (including negligence), is limited to the sum of \$200,000.*

This form is to accompany Form 2 of the Building (Forms) Regulations 2004 for the application of a Building Consent.