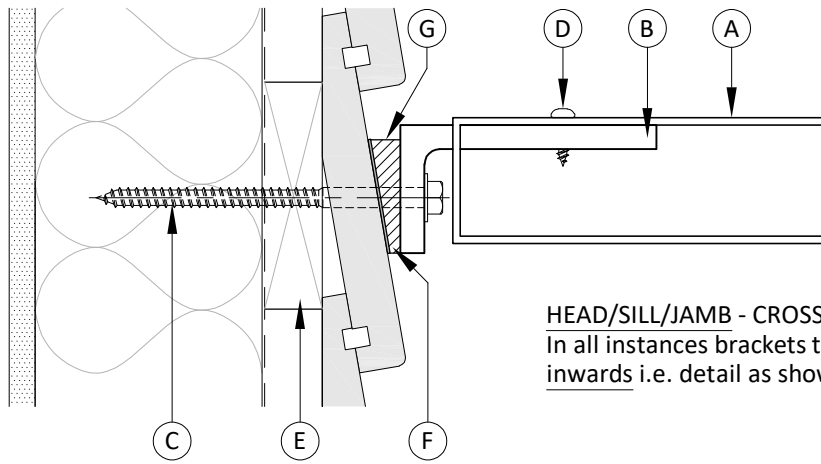
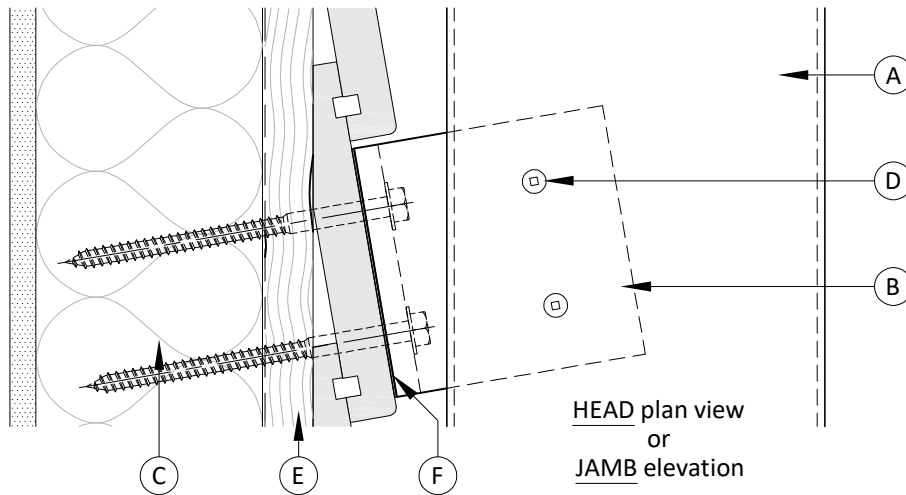


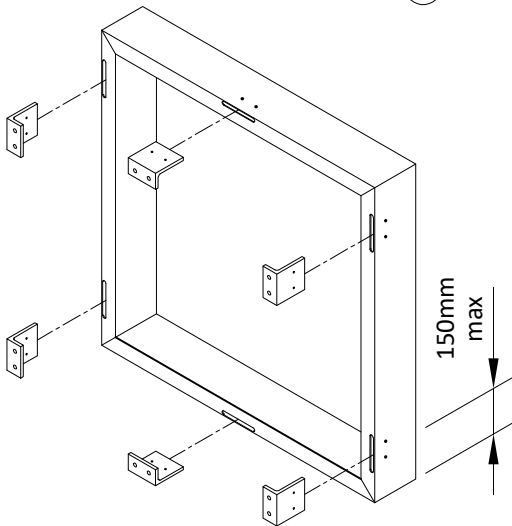
TIMBER WITH WEATHERBOARD CLADDING



HEAD/SILL/JAMB - CROSS SECTION
In all instances brackets to be facing inwards i.e. detail as shown is head



HEAD plan view
or
JAMB elevation



| Description | |
|-------------|--|
| A | Window shroud (size as specified) |
| B | 101.6 x 50.8 x 9.5 x 100mm aluminium bracket (WS-B4) |
| C | (2x) M8 316 S/S coachscrews (80mm min embedment) |
| D | (2x) 10G x 20 pan screw |
| E | Cavity battens at fixing points |
| F | EPDM washer |
| G | Aluminium stand-off tube cut to suit |

All brackets to be facing inwards. Outer edge to centre of corner bracket = 150mm max. Corner brackets to be either vertically or horizontally positioned but not both.

| Window Shroud section sizes | | | | |
|-----------------------------|--------------|--------------|--------------|--------------|
| 150mm x 40mm | 150mm x 50mm | 200mm x 50mm | 250mm x 50mm | 300mm x 50mm |

| Wind Zones | Window Shroud section sizes | | | | | |
|--------------------|-----------------------------|--------------|--------------|--------------|--------------|------|
| | 150mm x 40mm | 150mm x 50mm | 200mm x 50mm | 250mm x 50mm | 300mm x 50mm | |
| | Low (32m/s) | 2.0m | 2.0m | 2.0m | 2.0m | 2.0m |
| | Medium (37m/s) | 2.0m | 2.0m | 2.0m | 2.0m | 2.0m |
| | High (44m/s) | 2.0m | 2.0m | 2.0m | 1.8m | 1.8m |
| Very High (50m/s) | 1.8m | 1.8m | 1.8m | 1.5m | 1.5m | |
| Extra High (55m/s) | 1.5m | 1.5m | 1.5m | 1.2m | 1.2m | |