

RANGE	GB Sandstone Split Face
PRODUCT CODE	10-125
DESCRIPTION	

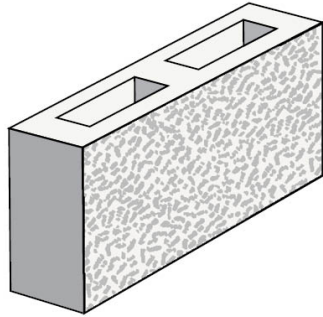
TYPICAL PROPERTIES	
NOMINAL DIMENSIONS (THICKNESS X HEIGHT X LENGTH mm)	200 x 200 x 400
ACTUAL DIMENSIONS (THICKNESS X HEIGHT X LENGTH mm)	190 x 190 x 390
CORE VOLUME (% OVERALL THICKNESS)	<30
CHARACTERISTIC UNCONFINED COMPRESSIVE STRENGTH (MPa)	
MINIMUM FACE SHELL THICKNESS (mm)	
AVERAGE BLOCK WEIGHT (kg)	20.0
AVERAGE NUMBER PER TONNE	50
NUMBER PER PALLET	90
NUMBER PER m ²	
DURABILITY (TO AS4456.10 - Sodium Sulphate and Sodium Chloride)	General Purpose
WALL MASS INC. MORTAR HOLLOW (kg/m ²)	
Characteristic Unconfined Compressive Strength (FUC)	

FIRE RESISTANCE LEVELS	
Structural Adequacy (see notes)	60 to 240
Integrity	60
Insulation	60
Notes: Maximum Slenderness ratio (Srf) of hollow masonry, from AS3700:2011, Table 6.1, is: 18.0 at 60 minutes 17.0 at 90 minutes 16.0 at 120 minutes 15.5 at 180 minutes 15.5 at 240 minutes	

This data represents average results from commercial production lots and is for general description purposes only. Figures are accurate at date of publication and subject to change without notice. Contact Austral Masonry for confirmation of product specification. December 2013.

AM-NSW-001699

*Manufactured to AS/NZS 4455.1: 2008. Tested as per AS/NZS 4456: 2003. Fire Resistance Levels as per AS3700:2011, derived from Fire Tests, BRANZ and Exova Warringtonfire Aus Pty Ltd, 2012. Acoustic opinion derived from Day Design Pty Ltd, 2012. Tested in accordance with AS 1191:2002 and AS/NZS 1276.1:1999.



RANGE	GB Sandstone Split Face
PRODUCT CODE	10-91
DESCRIPTION	90mm Split Face Standard Veneer

TYPICAL PROPERTIES

NOMINAL DIMENSIONS (THICKNESS X HEIGHT X LENGTH mm)	100 x 200 x 400
ACTUAL DIMENSIONS (THICKNESS X HEIGHT X LENGTH mm)	95 x 190 x 390
CORE VOLUME (% OVERALL THICKNESS)	24
CHARACTERISTIC UNCONFINED COMPRESSIVE STRENGTH (MPa)	>15
MINIMUM FACE SHELL THICKNESS (mm)	24
AVERAGE BLOCK WEIGHT (kg)	12.2
AVERAGE NUMBER PER TONNE	82
NUMBER PER PALLET	150
NUMBER PER m ²	12.5
DURABILITY (TO AS4456.10 - Sodium Sulphate and Sodium Chloride)	General Purpose
WALL MASS INC. MORTAR HOLLOW (kg/m ²)	168
Characteristic Unconfined Compressive Strength (FUC)	

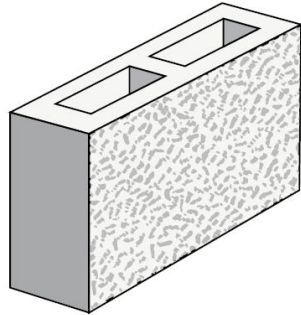
FIRE RESISTANCE LEVELS

Structural Adequacy (see notes)	60 to 240
Integrity	60
Insulation	60
Notes: Maximum Slenderness ratio (Srf) of hollow masonry, from AS3700:2011, Table 6.1, is: 18.0 at 60 minutes 17.0 at 90 minutes 16.0 at 120 minutes 15.5 at 180 minutes 15.5 at 240 minutes	

This data represents average results from commercial production lots and is for general description purposes only. Figures are accurate at date of publication and subject to change without notice. Contact Austral Masonry for confirmation of product specification. December 2013.

AM-NSW-001700

*Manufactured to AS/NZS 4455.1: 2008. Tested as per AS/NZS 4456: 2003. Fire Resistance Levels as per AS3700:2011, derived from Fire Tests, BRANZ and Exova Warringtonfire Aus Pty Ltd, 2012. Acoustic opinion derived from Day Design Pty Ltd, 2012. Tested in accordance with AS 1191:2002 and AS/NZS 1276.1:1999.



RANGE	GB Sandstone Split Face
PRODUCT CODE	10-92
DESCRIPTION	

TYPICAL PROPERTIES

NOMINAL DIMENSIONS (THICKNESS X HEIGHT X LENGTH mm)	100 x 200x 300
ACTUAL DIMENSIONS (THICKNESS X HEIGHT X LENGTH mm)	95 x 190 x 290
CORE VOLUME (% OVERALL THICKNESS)	<30
CHARACTERISTIC UNCONFINED COMPRESSIVE STRENGTH (MPa)	
MINIMUM FACE SHELL THICKNESS (mm)	
AVERAGE BLOCK WEIGHT (kg)	9.1
AVERAGE NUMBER PER TONNE	109.8901098901099
NUMBER PER PALLET	200
NUMBER PER m ²	
DURABILITY (TO AS4456.10 - Sodium Sulphate and Sodium Chloride)	General Purpose
WALL MASS INC. MORTAR HOLLOW (kg/m ²)	
Characteristic Unconfined Compressive Strength (FUC)	

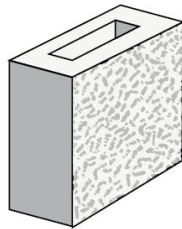
FIRE RESISTANCE LEVELS

Structural Adequacy (see notes)	60 to 240
Integrity	60
Insulation	60
Notes: Maximum Slenderness ratio (Srf) of hollow masonry, from AS3700:2011, Table 6.1, is: 18.0 at 60 minutes 17.0 at 90 minutes 16.0 at 120 minutes 15.5 at 180 minutes 15.5 at 240 minutes	

This data represents average results from commercial production lots and is for general description purposes only. Figures are accurate at date of publication and subject to change without notice. Contact Austral Masonry for confirmation of product specification. December 2013.

AM-NSW-001701

*Manufactured to AS/NZS 4455.1: 2008. Tested as per AS/NZS 4456: 2003. Fire Resistance Levels as per AS3700:2011, derived from Fire Tests, BRANZ and Exova Warringtonfire Aus Pty Ltd, 2012. Acoustic opinion derived from Day Design Pty Ltd, 2012. Tested in accordance with AS 1191:2002 and AS/NZS 1276.1:1999.



RANGE	GB Sandstone Split Face
PRODUCT CODE	10-93
DESCRIPTION	90mm Split Face Half Veneer

TYPICAL PROPERTIES

NOMINAL DIMENSIONS (THICKNESS X HEIGHT X LENGTH mm)	100 x 200 x 200
ACTUAL DIMENSIONS (THICKNESS X HEIGHT X LENGTH mm)	90 x 190 x 190
CORE VOLUME (% OVERALL THICKNESS)	<30
CHARACTERISTIC UNCONFINED COMPRESSIVE STRENGTH (MPa)	>15
MINIMUM FACE SHELL THICKNESS (mm)	30
AVERAGE BLOCK WEIGHT (kg)	4.8
AVERAGE NUMBER PER TONNE	208
NUMBER PER PALLET	300
NUMBER PER m ²	25
DURABILITY (TO AS4456.10 - Sodium Sulphate and Sodium Chloride)	General Purpose
WALL MASS INC. MORTAR HOLLOW (kg/m ²)	
Characteristic Unconfined Compressive Strength (FUC)	

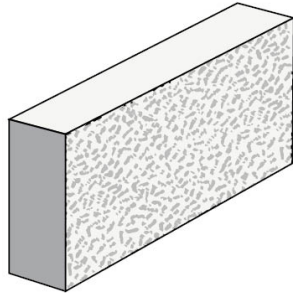
FIRE RESISTANCE LEVELS

Structural Adequacy (see notes)	60 to 240
Integrity	60
Insulation	60
Notes: Maximum Slenderness ratio (Srf) of hollow masonry, from AS3700:2011, Table 6.1, is: 18.0 at 60 minutes 17.0 at 90 minutes 16.0 at 120 minutes 15.5 at 180 minutes 15.5 at 240 minutes	

This data represents average results from commercial production lots and is for general description purposes only. Figures are accurate at date of publication and subject to change without notice. Contact Austral Masonry for confirmation of product specification. December 2013.

AM-NSW-001702

*Manufactured to AS/NZS 4455.1: 2008. Tested as per AS/NZS 4456: 2003. Fire Resistance Levels as per AS3700:2011, derived from Fire Tests, BRANZ and Exova Warringtonfire Aus Pty Ltd, 2012. Acoustic opinion derived from Day Design Pty Ltd, 2012. Tested in accordance with AS 1191:2002 and AS/NZS 1276.1:1999.



RANGE	GB Sandstone Split Face
PRODUCT CODE	10-95
DESCRIPTION	

TYPICAL PROPERTIES

NOMINAL DIMENSIONS (THICKNESS X HEIGHT X LENGTH mm)	100 x 200 x 400
ACTUAL DIMENSIONS (THICKNESS X HEIGHT X LENGTH mm)	95 x 190 x 390
CORE VOLUME (% OVERALL THICKNESS)	<30
CHARACTERISTIC UNCONFINED COMPRESSIVE STRENGTH (MPa)	
MINIMUM FACE SHELL THICKNESS (mm)	
AVERAGE BLOCK WEIGHT (kg)	14.5
AVERAGE NUMBER PER TONNE	68.96551724137932
NUMBER PER PALLET	200
NUMBER PER m ²	
DURABILITY (TO AS4456.10 - Sodium Sulphate and Sodium Chloride)	General Purpose
WALL MASS INC. MORTAR HOLLOW (kg/m ²)	
Characteristic Unconfined Compressive Strength (FUC)	

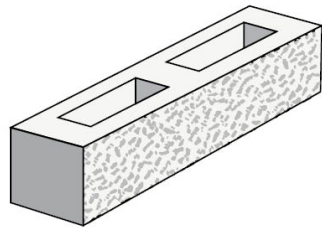
FIRE RESISTANCE LEVELS

Structural Adequacy (see notes)	60 to 240
Integrity	60
Insulation	60
Notes: Maximum Slenderness ratio (Srf) of hollow masonry, from AS3700:2011, Table 6.1, is: 18.0 at 60 minutes 17.0 at 90 minutes 16.0 at 120 minutes 15.5 at 180 minutes 15.5 at 240 minutes	

This data represents average results from commercial production lots and is for general description purposes only. Figures are accurate at date of publication and subject to change without notice. Contact Austral Masonry for confirmation of product specification. December 2013.

AM-NSW-001703

*Manufactured to AS/NZS 4455.1: 2008. Tested as per AS/NZS 4456: 2003. Fire Resistance Levels as per AS3700:2011, derived from Fire Tests, BRANZ and Exova Warringtonfire Aus Pty Ltd, 2012. Acoustic opinion derived from Day Design Pty Ltd, 2012. Tested in accordance with AS 1191:2002 and AS/NZS 1276.1:1999.



RANGE	GB Sandstone Split Face
PRODUCT CODE	10-971
DESCRIPTION	90mm Split Face Standard half height

TYPICAL PROPERTIES

NOMINAL DIMENSIONS (THICKNESS X HEIGHT X LENGTH mm)	100 x 100 x 400
ACTUAL DIMENSIONS (THICKNESS X HEIGHT X LENGTH mm)	90 x 90 x 390
CORE VOLUME (% OVERALL THICKNESS)	24
CHARACTERISTIC UNCONFINED COMPRESSIVE STRENGTH (MPa)	>15
MINIMUM FACE SHELL THICKNESS (mm)	25, 40
AVERAGE BLOCK WEIGHT (kg)	5.6
AVERAGE NUMBER PER TONNE	179
NUMBER PER PALLET	300
NUMBER PER m ²	25 or 2.5/lineal meter as caps
DURABILITY (TO AS4456.10 - Sodium Sulphate and Sodium Chloride)	General Purpose
WALL MASS INC. MORTAR HOLLOW (kg/m ²)	159
Characteristic Unconfined Compressive Strength (FUC)	

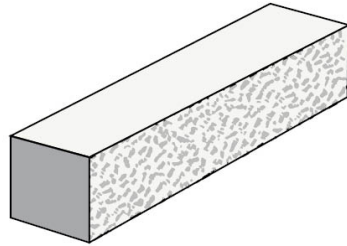
FIRE RESISTANCE LEVELS

Structural Adequacy (see notes)	60 to 240
Integrity	60
Insulation	60
Notes: Maximum Slenderness ratio (Srf) of hollow masonry, from AS3700:2011, Table 6.1, is: 18.0 at 60 minutes 17.0 at 90 minutes 16.0 at 120 minutes 15.5 at 180 minutes 15.5 at 240 minutes	

This data represents average results from commercial production lots and is for general description purposes only. Figures are accurate at date of publication and subject to change without notice. Contact Austral Masonry for confirmation of product specification. December 2013.

AM-NSW-001704

*Manufactured to AS/NZS 4455.1: 2008. Tested as per AS/NZS 4456: 2003. Fire Resistance Levels as per AS3700:2011, derived from Fire Tests, BRANZ and Exova Warringtonfire Aus Pty Ltd, 2012. Acoustic opinion derived from Day Design Pty Ltd, 2012. Tested in accordance with AS 1191:2002 and AS/NZS 1276.1:1999.



RANGE	GB Sandstone Split Face
PRODUCT CODE	10-109
DESCRIPTION	

TYPICAL PROPERTIES

NOMINAL DIMENSIONS (THICKNESS X HEIGHT X LENGTH mm)	100 x 100 x 400
ACTUAL DIMENSIONS (THICKNESS X HEIGHT X LENGTH mm)	90 x 90 x 390
CORE VOLUME (% OVERALL THICKNESS)	<30
CHARACTERISTIC UNCONFINED COMPRESSIVE STRENGTH (MPa)	
MINIMUM FACE SHELL THICKNESS (mm)	
AVERAGE BLOCK WEIGHT (kg)	7.8
AVERAGE NUMBER PER TONNE	128.2051282051282
NUMBER PER PALLET	240
NUMBER PER m ²	
DURABILITY (TO AS4456.10 - Sodium Sulphate and Sodium Chloride)	General Purpose
WALL MASS INC. MORTAR HOLLOW (kg/m ²)	
Characteristic Unconfined Compressive Strength (FUC)	

FIRE RESISTANCE LEVELS

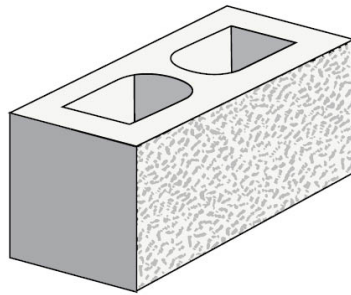
Structural Adequacy (see notes)	60 to 240
Integrity	60
Insulation	60

Notes:
Maximum Slenderness ratio (Srf) of hollow masonry, from AS3700:2011, Table 6.1, is:
18.0 at 60 minutes
17.0 at 90 minutes
16.0 at 120 minutes
15.5 at 180 minutes
15.5 at 240 minutes

This data represents average results from commercial production lots and is for general description purposes only. Figures are accurate at date of publication and subject to change without notice. Contact Austral Masonry for confirmation of product specification. December 2013.

AM-NSW-003053

*Manufactured to AS/NZS 4455.1: 2008. Tested as per AS/NZS 4456: 2003. Fire Resistance Levels as per AS3700:2011, derived from Fire Tests, BRANZ and Exova Warringtonfire Aus Pty Ltd, 2012. Acoustic opinion derived from Day Design Pty Ltd, 2012. Tested in accordance with AS 1191:2002 and AS/NZS 1276.1:1999.



RANGE	GB Sandstone Split Face
PRODUCT CODE	20-121
DESCRIPTION	190mm Split Face Standard

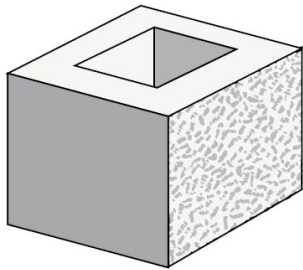
TYPICAL PROPERTIES	
NOMINAL DIMENSIONS (THICKNESS X HEIGHT X LENGTH mm)	200 x 200 x 400
ACTUAL DIMENSIONS (THICKNESS X HEIGHT X LENGTH mm)	190 x 190 x 390
CORE VOLUME (% OVERALL THICKNESS)	45
CHARACTERISTIC UNCONFINED COMPRESSIVE STRENGTH (MPa)	>15
MINIMUM FACE SHELL THICKNESS (mm)	30, 40
AVERAGE BLOCK WEIGHT (kg)	16.7
AVERAGE NUMBER PER TONNE	60
NUMBER PER PALLET	90
NUMBER PER m ²	12.5
DURABILITY (TO AS4456.10 - Sodium Sulphate and Sodium Chloride)	General Purpose
WALL MASS INC. MORTAR HOLLOW (kg/m ²)	219
Characteristic Unconfined Compressive Strength (FUC)	

FIRE RESISTANCE LEVELS	
Structural Adequacy (see notes)	60 to 240
Integrity	60
Insulation	60
Notes: Maximum Slenderness ratio (Srf) of hollow masonry, from AS3700:2011, Table 6.1, is: 18.0 at 60 minutes 17.0 at 90 minutes 16.0 at 120 minutes 15.5 at 180 minutes 15.5 at 240 minutes	

This data represents average results from commercial production lots and is for general description purposes only. Figures are accurate at date of publication and subject to change without notice. Contact Austral Masonry for confirmation of product specification. December 2013.

AM-NSW-001705

*Manufactured to AS/NZS 4455.1: 2008. Tested as per AS/NZS 4456: 2003. Fire Resistance Levels as per AS3700:2011, derived from Fire Tests, BRANZ and Exova Warringtonfire Aus Pty Ltd, 2012. Acoustic opinion derived from Day Design Pty Ltd, 2012. Tested in accordance with AS 1191:2002 and AS/NZS 1276.1:1999.



RANGE	GB Sandstone Split Face
PRODUCT CODE	20-123
DESCRIPTION	190mm Split Face- Half

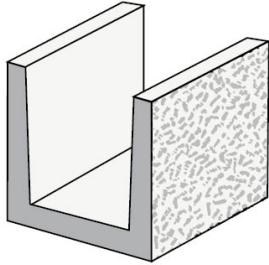
TYPICAL PROPERTIES	
NOMINAL DIMENSIONS (THICKNESS X HEIGHT X LENGTH mm)	200 x 200 x 200
ACTUAL DIMENSIONS (THICKNESS X HEIGHT X LENGTH mm)	190 x 190 x 190
CORE VOLUME (% OVERALL THICKNESS)	>30
CHARACTERISTIC UNCONFINED COMPRESSIVE STRENGTH (MPa)	>15
MINIMUM FACE SHELL THICKNESS (mm)	30
AVERAGE BLOCK WEIGHT (kg)	9.5
AVERAGE NUMBER PER TONNE	105
NUMBER PER PALLET	150
NUMBER PER m ²	25
DURABILITY (TO AS4456.10 - Sodium Sulphate and Sodium Chloride)	General Purpose
WALL MASS INC. MORTAR HOLLOW (kg/m ²)	
Characteristic Unconfined Compressive Strength (FUC)	

FIRE RESISTANCE LEVELS	
Structural Adequacy (see notes)	60 to 240
Integrity	60
Insulation	60
Notes: Maximum Slenderness ratio (Srf) of hollow masonry, from AS3700:2011, Table 6.1, is: 18.0 at 60 minutes 17.0 at 90 minutes 16.0 at 120 minutes 15.5 at 180 minutes 15.5 at 240 minutes	

This data represents average results from commercial production lots and is for general description purposes only. Figures are accurate at date of publication and subject to change without notice. Contact Austral Masonry for confirmation of product specification. December 2013.

AM-NSW-001706

*Manufactured to AS/NZS 4455.1: 2008. Tested as per AS/NZS 4456: 2003. Fire Resistance Levels as per AS3700:2011, derived from Fire Tests, BRANZ and Exova Warringtonfire Aus Pty Ltd, 2012. Acoustic opinion derived from Day Design Pty Ltd, 2012. Tested in accordance with AS 1191:2002 and AS/NZS 1276.1:1999.



RANGE	GB Sandstone Split Face
PRODUCT CODE	20-125
DESCRIPTION	

TYPICAL PROPERTIES

NOMINAL DIMENSIONS (THICKNESS X HEIGHT X LENGTH mm)	200 x 200 x 200
ACTUAL DIMENSIONS (THICKNESS X HEIGHT X LENGTH mm)	190 x 190 x 190
CORE VOLUME (% OVERALL THICKNESS)	>30
CHARACTERISTIC UNCONFINED COMPRESSIVE STRENGTH (MPa)	
MINIMUM FACE SHELL THICKNESS (mm)	
AVERAGE BLOCK WEIGHT (kg)	9.5
AVERAGE NUMBER PER TONNE	105.2631578947368
NUMBER PER PALLET	120
NUMBER PER m ²	
DURABILITY (TO AS4456.10 - Sodium Sulphate and Sodium Chloride)	General Purpose
WALL MASS INC. MORTAR HOLLOW (kg/m ²)	
Characteristic Unconfined Compressive Strength (FUC)	

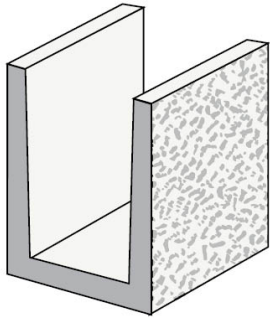
FIRE RESISTANCE LEVELS

Structural Adequacy (see notes)	60 to 240
Integrity	60
Insulation	60
Notes: Maximum Slenderness ratio (Srf) of hollow masonry, from AS3700:2011, Table 6.1, is: 18.0 at 60 minutes 17.0 at 90 minutes 16.0 at 120 minutes 15.5 at 180 minutes 15.5 at 240 minutes	

This data represents average results from commercial production lots and is for general description purposes only. Figures are accurate at date of publication and subject to change without notice. Contact Austral Masonry for confirmation of product specification. December 2013.

AM-NSW-001707

*Manufactured to AS/NZS 4455.1: 2008. Tested as per AS/NZS 4456: 2003. Fire Resistance Levels as per AS3700:2011, derived from Fire Tests, BRANZ and Exova Warringtonfire Aus Pty Ltd, 2012. Acoustic opinion derived from Day Design Pty Ltd, 2012. Tested in accordance with AS 1191:2002 and AS/NZS 1276.1:1999.



RANGE	GB Sandstone Split Face
PRODUCT CODE	20-126
DESCRIPTION	

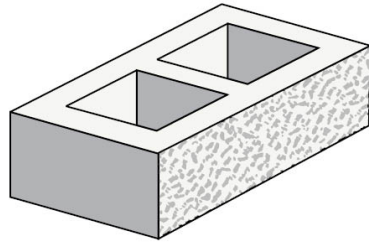
TYPICAL PROPERTIES	
NOMINAL DIMENSIONS (THICKNESS X HEIGHT X LENGTH mm)	200 x 300 x 200
ACTUAL DIMENSIONS (THICKNESS X HEIGHT X LENGTH mm)	190 x 290 x 190
CORE VOLUME (% OVERALL THICKNESS)	>30
CHARACTERISTIC UNCONFINED COMPRESSIVE STRENGTH (MPa)	
MINIMUM FACE SHELL THICKNESS (mm)	
AVERAGE BLOCK WEIGHT (kg)	14.3
AVERAGE NUMBER PER TONNE	69.93006993006993
NUMBER PER PALLET	120
NUMBER PER m ²	
DURABILITY (TO AS4456.10 - Sodium Sulphate and Sodium Chloride)	General Purpose
WALL MASS INC. MORTAR HOLLOW (kg/m ²)	
Characteristic Unconfined Compressive Strength (FUC)	

FIRE RESISTANCE LEVELS	
Structural Adequacy (see notes)	60 to 240
Integrity	60
Insulation	60
Notes: Maximum Slenderness ratio (Srf) of hollow masonry, from AS3700:2011, Table 6.1, is: 18.0 at 60 minutes 17.0 at 90 minutes 16.0 at 120 minutes 15.5 at 180 minutes 15.5 at 240 minutes	

This data represents average results from commercial production lots and is for general description purposes only. Figures are accurate at date of publication and subject to change without notice. Contact Austral Masonry for confirmation of product specification. December 2013.

AM-NSW-001708

*Manufactured to AS/NZS 4455.1: 2008. Tested as per AS/NZS 4456: 2003. Fire Resistance Levels as per AS3700:2011, derived from Fire Tests, BRANZ and Exova Warringtonfire Aus Pty Ltd, 2012. Acoustic opinion derived from Day Design Pty Ltd, 2012. Tested in accordance with AS 1191:2002 and AS/NZS 1276.1:1999.



RANGE	GB Sandstone Split Face
PRODUCT CODE	20-127
DESCRIPTION	190mm Split Face Half Height

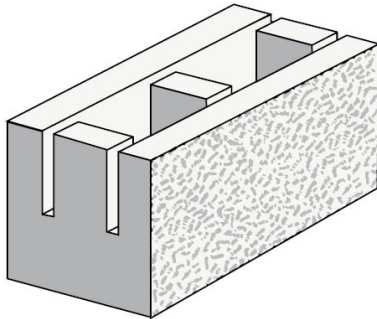
TYPICAL PROPERTIES	
NOMINAL DIMENSIONS (THICKNESS X HEIGHT X LENGTH mm)	200 x 100 x 400
ACTUAL DIMENSIONS (THICKNESS X HEIGHT X LENGTH mm)	190 x 90 x 390
CORE VOLUME (% OVERALL THICKNESS)	48
CHARACTERISTIC UNCONFINED COMPRESSIVE STRENGTH (MPa)	>15
MINIMUM FACE SHELL THICKNESS (mm)	30, 40
AVERAGE BLOCK WEIGHT (kg)	9.1
AVERAGE NUMBER PER TONNE	110
NUMBER PER PALLET	180
NUMBER PER m ²	25 or 2.5/lineal meter as caps
DURABILITY (TO AS4456.10 - Sodium Sulphate and Sodium Chloride)	General Purpose
WALL MASS INC. MORTAR HOLLOW (kg/m ²)	248
Characteristic Unconfined Compressive Strength (FUC)	

FIRE RESISTANCE LEVELS	
Structural Adequacy (see notes)	60 to 240
Integrity	60
Insulation	60
Notes: Maximum Slenderness ratio (Srf) of hollow masonry, from AS3700:2011, Table 6.1, is: 18.0 at 60 minutes 17.0 at 90 minutes 16.0 at 120 minutes 15.5 at 180 minutes 15.5 at 240 minutes	

This data represents average results from commercial production lots and is for general description purposes only. Figures are accurate at date of publication and subject to change without notice. Contact Austral Masonry for confirmation of product specification. December 2013.

AM-NSW-001709

*Manufactured to AS/NZS 4455.1: 2008. Tested as per AS/NZS 4456: 2003. Fire Resistance Levels as per AS3700:2011, derived from Fire Tests, BRANZ and Exova Warringtonfire Aus Pty Ltd, 2012. Acoustic opinion derived from Day Design Pty Ltd, 2012. Tested in accordance with AS 1191:2002 and AS/NZS 1276.1:1999.



RANGE	GB Sandstone Split Face
PRODUCT CODE	20-133
DESCRIPTION	

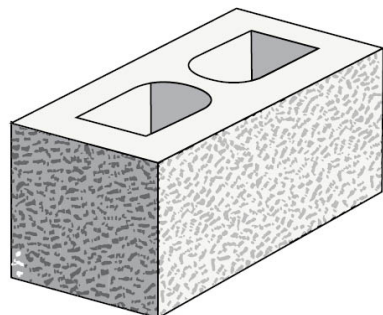
TYPICAL PROPERTIES	
NOMINAL DIMENSIONS (THICKNESS X HEIGHT X LENGTH mm)	200 x 200 x 400
ACTUAL DIMENSIONS (THICKNESS X HEIGHT X LENGTH mm)	190 x 190 x 390
CORE VOLUME (% OVERALL THICKNESS)	>30
CHARACTERISTIC UNCONFINED COMPRESSIVE STRENGTH (MPa)	
MINIMUM FACE SHELL THICKNESS (mm)	
AVERAGE BLOCK WEIGHT (kg)	18.2
AVERAGE NUMBER PER TONNE	54.94505494505495
NUMBER PER PALLET	90
NUMBER PER m ²	
DURABILITY (TO AS4456.10 - Sodium Sulphate and Sodium Chloride)	General Purpose
WALL MASS INC. MORTAR HOLLOW (kg/m ²)	
Characteristic Unconfined Compressive Strength (FUC)	

FIRE RESISTANCE LEVELS	
Structural Adequacy (see notes)	60 to 240
Integrity	60
Insulation	60
Notes: Maximum Slenderness ratio (Srf) of hollow masonry, from AS3700:2011, Table 6.1, is: 18.0 at 60 minutes 17.0 at 90 minutes 16.0 at 120 minutes 15.5 at 180 minutes 15.5 at 240 minutes	

This data represents average results from commercial production lots and is for general description purposes only. Figures are accurate at date of publication and subject to change without notice. Contact Austral Masonry for confirmation of product specification. December 2013.

AM-NSW-001710

*Manufactured to AS/NZS 4455.1: 2008. Tested as per AS/NZS 4456: 2003. Fire Resistance Levels as per AS3700:2011, derived from Fire Tests, BRANZ and Exova Warringtonfire Aus Pty Ltd, 2012. Acoustic opinion derived from Day Design Pty Ltd, 2012. Tested in accordance with AS 1191:2002 and AS/NZS 1276.1:1999.



RANGE	GB Sandstone Split Face
PRODUCT CODE	20-139
DESCRIPTION	

TYPICAL PROPERTIES

NOMINAL DIMENSIONS (THICKNESS X HEIGHT X LENGTH mm)	200 x 200 x 400
ACTUAL DIMENSIONS (THICKNESS X HEIGHT X LENGTH mm)	190 x 190 x 390
CORE VOLUME (% OVERALL THICKNESS)	>30
CHARACTERISTIC UNCONFINED COMPRESSIVE STRENGTH (MPa)	
MINIMUM FACE SHELL THICKNESS (mm)	
AVERAGE BLOCK WEIGHT (kg)	20.0
AVERAGE NUMBER PER TONNE	50
NUMBER PER PALLET	90
NUMBER PER m ²	
DURABILITY (TO AS4456.10 - Sodium Sulphate and Sodium Chloride)	General Purpose
WALL MASS INC. MORTAR HOLLOW (kg/m ²)	
Characteristic Unconfined Compressive Strength (FUC)	

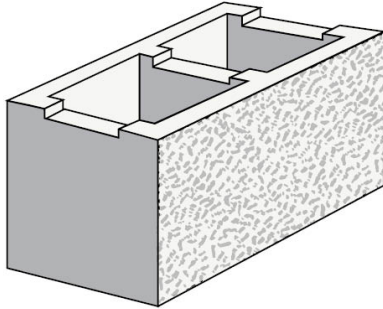
FIRE RESISTANCE LEVELS

Structural Adequacy (see notes)	60 to 240
Integrity	60
Insulation	60
Notes: Maximum Slenderness ratio (Srf) of hollow masonry, from AS3700:2011, Table 6.1, is: 18.0 at 60 minutes 17.0 at 90 minutes 16.0 at 120 minutes 15.5 at 180 minutes 15.5 at 240 minutes	

This data represents average results from commercial production lots and is for general description purposes only. Figures are accurate at date of publication and subject to change without notice. Contact Austral Masonry for confirmation of product specification. December 2013.

AM-NSW-001711

*Manufactured to AS/NZS 4455.1: 2008. Tested as per AS/NZS 4456: 2003. Fire Resistance Levels as per AS3700:2011, derived from Fire Tests, BRANZ and Exova Warringtonfire Aus Pty Ltd, 2012. Acoustic opinion derived from Day Design Pty Ltd, 2012. Tested in accordance with AS 1191:2002 and AS/NZS 1276.1:1999.



RANGE	GB Sandstone Split Face
PRODUCT CODE	20-142
DESCRIPTION	190mm Split Face Channel

TYPICAL PROPERTIES

NOMINAL DIMENSIONS (THICKNESS X HEIGHT X LENGTH mm)	200 x 200 x 400
ACTUAL DIMENSIONS (THICKNESS X HEIGHT X LENGTH mm)	190 x 190 x 390
CORE VOLUME (% OVERALL THICKNESS)	46
CHARACTERISTIC UNCONFINED COMPRESSIVE STRENGTH (MPa)	>15
MINIMUM FACE SHELL THICKNESS (mm)	30, 40
AVERAGE BLOCK WEIGHT (kg)	18.2
AVERAGE NUMBER PER TONNE	55
NUMBER PER PALLET	90
NUMBER PER m ²	12.5
DURABILITY (TO AS4456.10 - Sodium Sulphate and Sodium Chloride)	General Purpose
WALL MASS INC. MORTAR HOLLOW (kg/m ²)	238
Characteristic Unconfined Compressive Strength (FUC)	

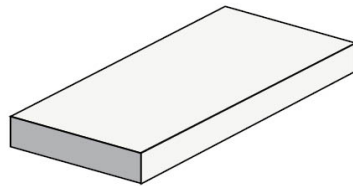
FIRE RESISTANCE LEVELS

Structural Adequacy (see notes)	60 to 240
Integrity	60
Insulation	60
Notes: Maximum Slenderness ratio (Srf) of hollow masonry, from AS3700:2011, Table 6.1, is: 18.0 at 60 minutes 17.0 at 90 minutes 16.0 at 120 minutes 15.5 at 180 minutes 15.5 at 240 minutes	

This data represents average results from commercial production lots and is for general description purposes only. Figures are accurate at date of publication and subject to change without notice. Contact Austral Masonry for confirmation of product specification. December 2013.

AM-NSW-001712

*Manufactured to AS/NZS 4455.1: 2008. Tested as per AS/NZS 4456: 2003. Fire Resistance Levels as per AS3700:2011, derived from Fire Tests, BRANZ and Exova Warringtonfire Aus Pty Ltd, 2012. Acoustic opinion derived from Day Design Pty Ltd, 2012. Tested in accordance with AS 1191:2002 and AS/NZS 1276.1:1999.



RANGE	GB Sandstone Split Face
PRODUCT CODE	50-31
DESCRIPTION	

TYPICAL PROPERTIES

NOMINAL DIMENSIONS (THICKNESS X HEIGHT X LENGTH mm)	190 x 40 x 390
ACTUAL DIMENSIONS (THICKNESS X HEIGHT X LENGTH mm)	190 x 40 x 390
CORE VOLUME (% OVERALL THICKNESS)	
CHARACTERISTIC UNCONFINED COMPRESSIVE STRENGTH (MPa)	
MINIMUM FACE SHELL THICKNESS (mm)	
AVERAGE BLOCK WEIGHT (kg)	6.1
AVERAGE NUMBER PER TONNE	163.9344262295082
NUMBER PER PALLET	288
NUMBER PER m ²	
DURABILITY (TO AS4456.10 - Sodium Sulphate and Sodium Chloride)	General Purpose
WALL MASS INC. MORTAR HOLLOW (kg/m ²)	
Characteristic Unconfined Compressive Strength (FUC)	

FIRE RESISTANCE LEVELS

Structural Adequacy (see notes)	60 to 240
Integrity	60
Insulation	60
Notes: Maximum Slenderness ratio (Srf) of hollow masonry, from AS3700:2011, Table 6.1, is: 18.0 at 60 minutes 17.0 at 90 minutes 16.0 at 120 minutes 15.5 at 180 minutes 15.5 at 240 minutes	

This data represents average results from commercial production lots and is for general description purposes only. Figures are accurate at date of publication and subject to change without notice. Contact Austral Masonry for confirmation of product specification. December 2013.

AM-NSW-003794

*Manufactured to AS/NZS 4455.1: 2008. Tested as per AS/NZS 4456: 2003. Fire Resistance Levels as per AS3700:2011, derived from Fire Tests, BRANZ and Exova Warringtonfire Aus Pty Ltd, 2012. Acoustic opinion derived from Day Design Pty Ltd, 2012. Tested in accordance with AS 1191:2002 and AS/NZS 1276.1:1999.