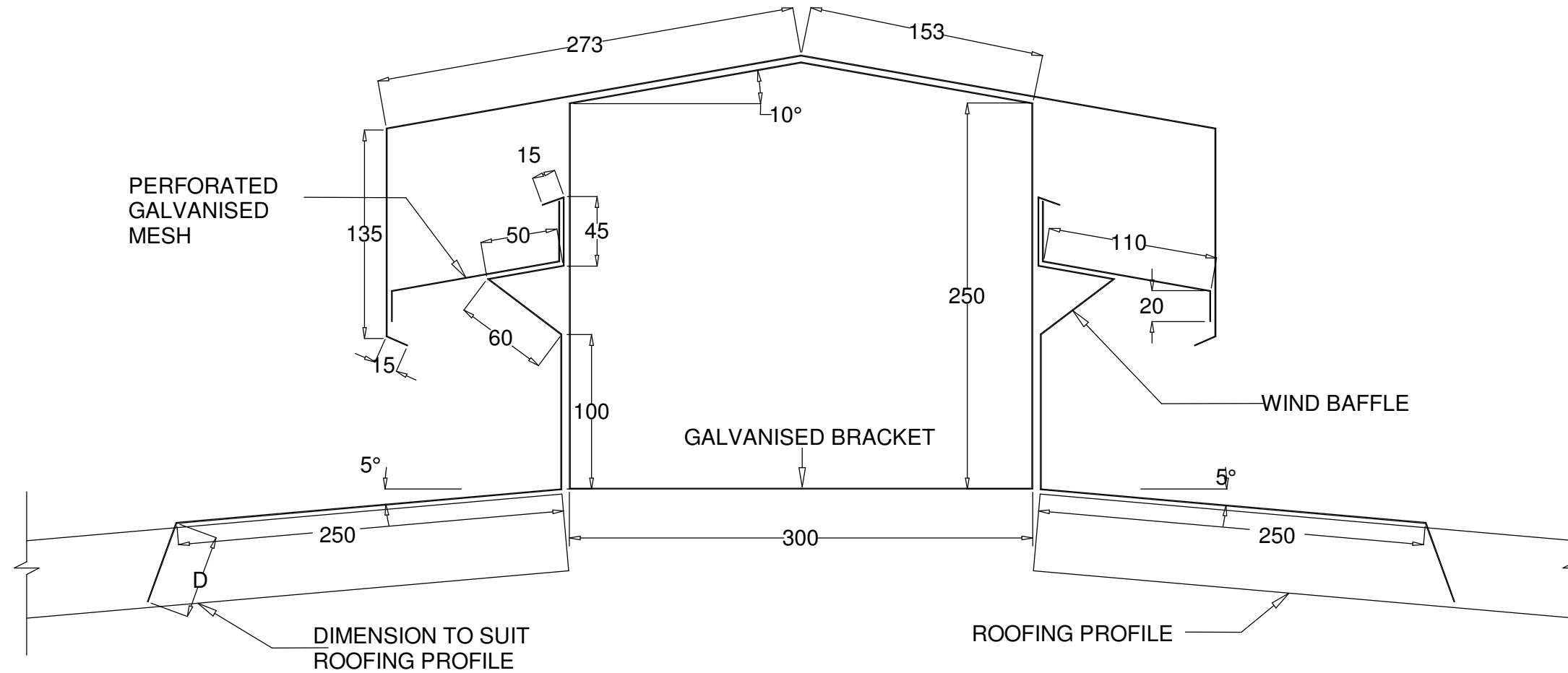


# COMMERCIAL CORRUGATE ROOFING THROAT VENT RIDGE 300mm

Detail Number: RI-TVR300

Date drawn: 13/10/19

Scale: 1 : 5@ A4



## NOTES:

- These details are generally in compliance with E2/AS1, where applicable to profile, and the NZ Metal Roof & Wall Cladding Code of Practice and in some cases specific details by 'Roofing Industries'.
- The building designer is ultimately responsible to ensure that details used meet the requirements of the NZ Building Code for the specific project.
- Details of the supporting structure are indicative only and are the responsibility of the building designer.
- Thermal break or cavity battens may be required in some circumstances.
- Underlay selection and building wrap types are the responsibility of the designer. Alternative support to galvanised netting should be used in severe coastal environments including when aluminium is used.
- These details are for Roofing Industries profile/s as nominated and may not be applicable to other profiles.
- This drawing is the copyright of 'Roofing Industries' and can only be copied or reproduced with their permission.
- Further information can be obtained from the NZ Metal Roof & Wall Cladding Code of Practice: [www.metalroofing.org.nz](http://www.metalroofing.org.nz) or E2/AS1.
- Where necessary, adjust drawings for purlin or cavity battens.
- Details are for steel based materials, other substrate may require some changes.

Copyright detail © 2019

