

COMMERCIAL MAXISPAN ROOFING TRANSLUCENT

DETAIL NO.

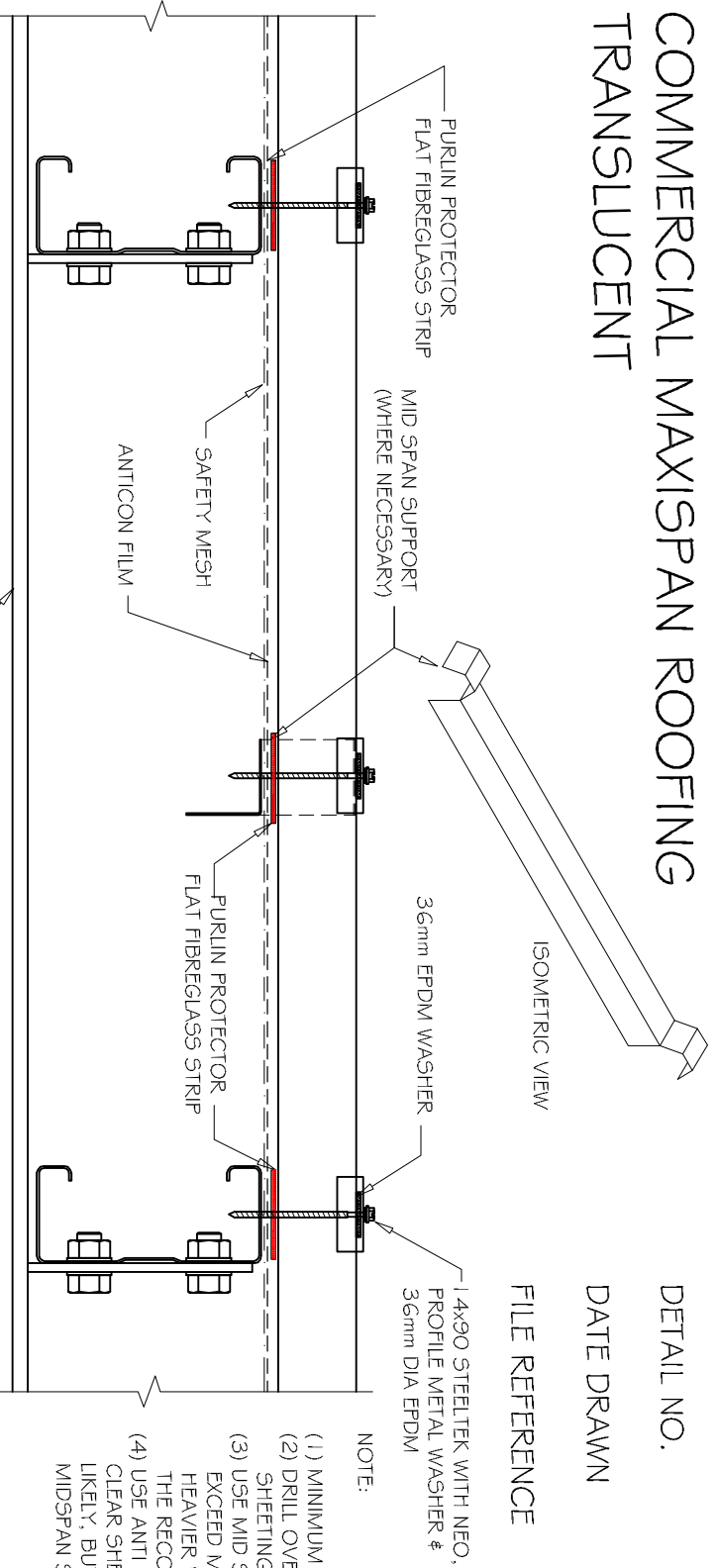
CM5R04 1A

DATE DRAWN

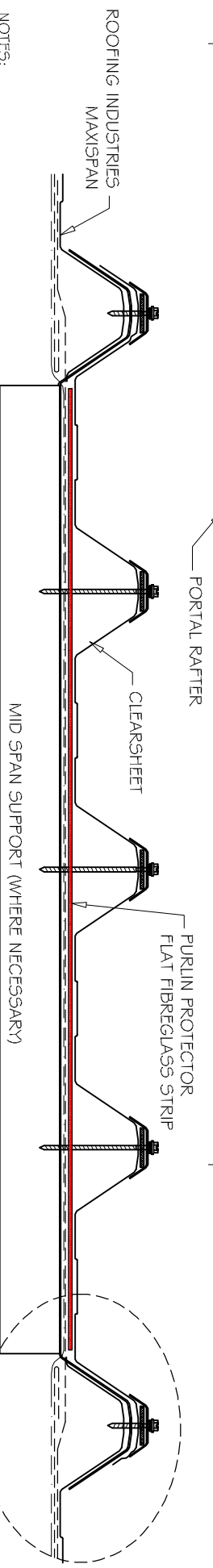
16/08/12

FILE REFERENCE

RI-CM5R04 1A.DWG

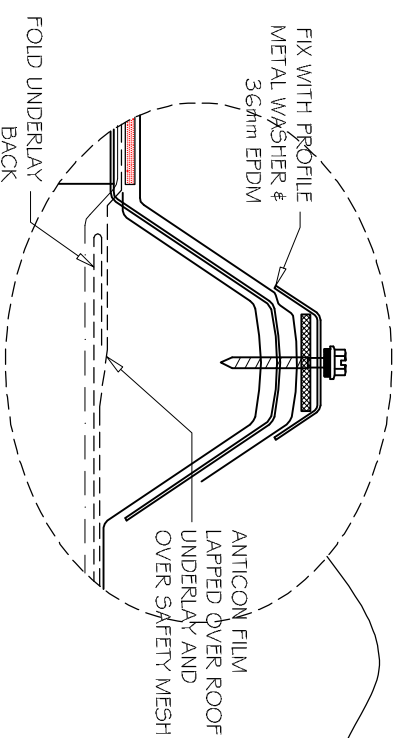


- NOTE:
- (1) MINIMUM PITCH 3°
 - (2) DRILL OVERSIZE HOLES IN TRANSLUCENT SHEETING PRIOR TO FIXING.
 - (3) USE MID SPAN SUPPORT WHEN SPANS EXCEED MAXIMUM SPAN, OR SPECIFY HEAVIER WEIGHT GRP SHEET WHICH IS THE RECOMMENDED OPTION.
 - (4) USE ANTI CONDENSATION FILM UNDER CLEAR SHEETS WHERE CONDENSATION LIKELY, BUT DIFFICULT TO USE WHERE MIDSPAN SUPPORTS ARE USED.



NOTES:

- These details are generally in compliance with the NZ Metal Roof & Wall Cladding Code of Practice and in some cases specific details by Roofing Industries.
- The building designer is ultimately responsible to ensure that details used meet the requirements of the NZ Building Code for the specific project.
- Details of the supporting structure are indicative only and are the responsibility of the building designer.
- Thermal break or cavity battens may be required in some circumstances.
- Underlay selection and building wrap types are the responsibility of the designer, alternative support to galvanised netting should be used in severe coastal environments including when aluminium is used.
- These details are for Roofing Industries profiles as nominated and may not be applicable to other profiles.
- This drawing is the copyright of 'Roofing Industries' and can only be copied or reproduced with their permission.
- Further information can be obtained from the NZ Metal Roof & Wall Cladding Code of Practice www.metd-roofer.org.nz & www.roof.co.nz
- Where necessary adjust drawings for purlin battens or cavity battens.
- Details are for steel based materials, other substrate may require some changes.



©COPYRIGHT DETAIL 2012

